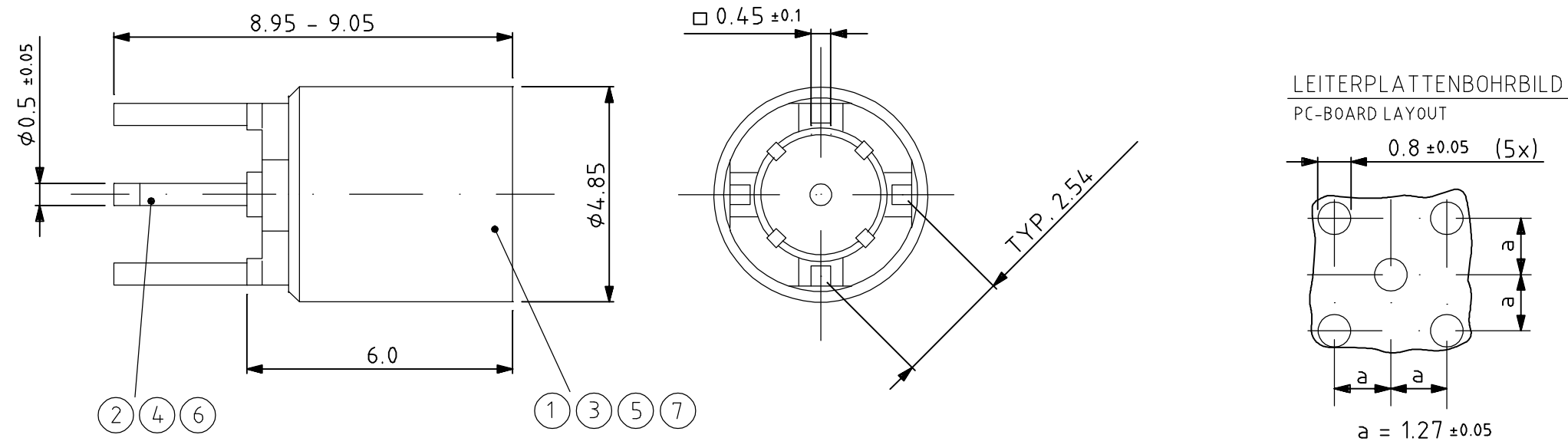


THIS DRAWING IS UNPUBLISHED. RELEASED FOR PUBLICATION  
 © COPYRIGHT - BY TYCO ELECTRONICS CORPORATION. ALL RIGHTS RESERVED.

LOC	DIST	REVISIONS					
EK	00	P	LTR	DESCRIPTION	DATE	DWN	APVD
		G		REVISED PER EC OS14-0457-04	03NOV05	TS	JL



- 1 KOAX STECKVERBINDER NACH CECC 22220  
COAX CONNECTOR COMPLIES WITH SPEC. CECC 22220
- 2 KOAX - KUPPLER (POS. 1,3,5,7) MONTIERT  
MIT BUCHSENKONTAKT (POS. 2,4,6)  
IM PLASTIKBEUTEL VERPACKT  
COAX JACK (POS. 1,3,5,7) ASSEMBLED  
WITH FEMALE CONTACT (POS. 2,4,6)  
PACKED IN PLASTIC BAG
- 3 VERGOLDET 112-162-5; 1.3 $\mu$ m MIN DICKE ÜBER  
Ni 112-25-2; 2.0 $\mu$ m MIN - 4.0 $\mu$ m MAX DICKE  
GOLD PL. 112-162-5; 1.3 $\mu$ m MIN THK OVER  
Ni PL. 112-25-2; 2.0 $\mu$ m MIN - 4.0 $\mu$ m MAX THK

- 4 VERGOLDET 112-162-5; 0.8 $\mu$ m MIN DICKE ÜBER  
Ni 112-25-2; 2.0 $\mu$ m MIN - 4.0 $\mu$ m MAX DICKE  
GOLD PL. 112-162-5; 0.8 $\mu$ m MIN THK OVER  
Ni PL. 112-25-2; 2.0 $\mu$ m MIN - 4.0 $\mu$ m MAX THK
- 5 GLANZZINN NACH AMP SPEZ.112-26-1;NOM. 8 $\mu$ m  
DICK ÜBER NICKEL NACH AMP SPEZ.112-25-2;  
2.0 $\mu$ m MIN.-4.0 $\mu$ m MAX. DICKE.  
BRIGHT TIN PL.PER AMP SPEC.112-26-1;NOM. 8 $\mu$ m  
THK OVER NIPL.PER AMP SPEC.112-25-2;  
2.0 $\mu$ m MIN.-4.0 $\mu$ m MAX. THK.
- 6 BUCHSENKONTAKT : MATERIAL Cu Be / PHOSPHORBRONCE  
FEMALE CONTACT : MATERIAL Cu Be / PHOSPHORBRONCE

- 7 VERGOLDET 0.1-0.2 $\mu$ m DICKE ÜBER  
NOM. 4.0 $\mu$ m Ni P DICKE  
0.1-0.2 $\mu$ m Au OVER NOM.  
4.0 $\mu$ m Ni P PLATING

OBSOLETE	<del>829559-4</del>	<del>6</del>	<del>1</del>	<del>BUCHSENKONT./FEMALE CONTACT</del>	<del>6</del>	<del>4</del>
		<del>7</del>	<del>1</del>	<del>KUPPLER/JACK</del>	<del>Cu Zn</del>	<del>7</del>
	829559-3	6	1	BUCHSENKONT./FEMALE CONTACT	6	4
		5	1	KUPPLER/JACK	Cu Zn	5
	829559-2	4	1	BUCHSENKONT./FEMALE CONTACT	6	7
		3	1	KUPPLER/JACK	Cu Zn	7
829559-1	2	1	BUCHSENKONT./FEMALE CONTACT	6	3	
	1	1	KUPPLER/JACK	Cu Zn	4	
BESTELL-NR. PART-NO.	POS. ITEM-NO.	STÜCK PIECES	BENENNUNG EINZELTEIL DESCRIPTION	WERKSTOFF MATERIAL	OBERFLÄCHE PLATING FARBE/COLOUR	

THIS DRAWING IS A CONTROLLED DOCUMENT.		DWN ZANDER	09JAN90	Tyco Electronics Corporation Harrisburg, PA 17105-3608	
DIMENSIONS: mm		CHK -	-		
TOLERANCES UNLESS OTHERWISE SPECIFIED:		APVD FISCHER	09JAN90	NAME SERIES MCX, JACK FOR PCB (PITCH 2.54 mm)	
0 PLC ± - 1 PLC ± - 2 PLC ± 0.15 3 PLC ± - 4 PLC ± - ANGLES ± 1°		PRODUCT SPEC -	-		
MATERIAL SEE TABLE	FINISH -	APPLICATION SPEC -	-	SIZE A3	CAGE CODE 00779
		WEIGHT -	-	DRAWING NO G-829559	RESTRICTED TO -
CUSTOMER DRAWING				SCALE 10:1	SHEET 1 of 1
				REV G	