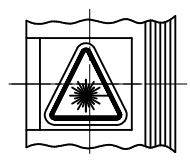
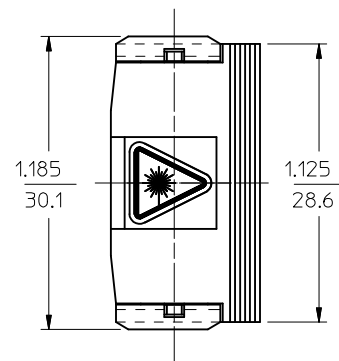


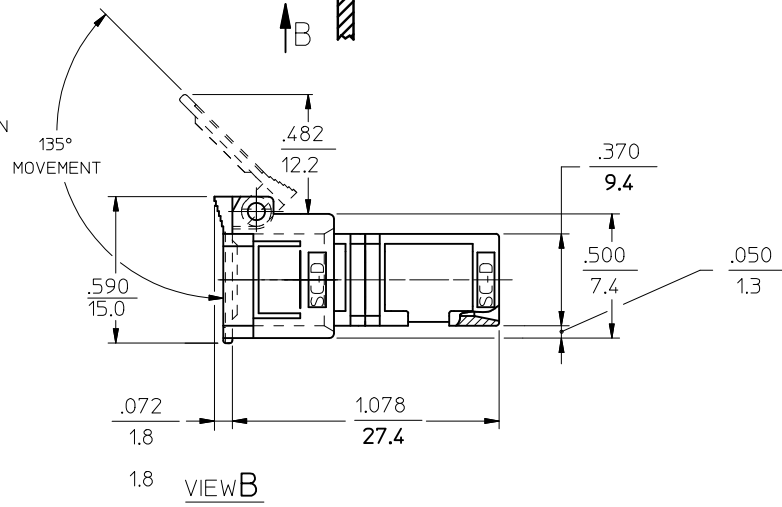
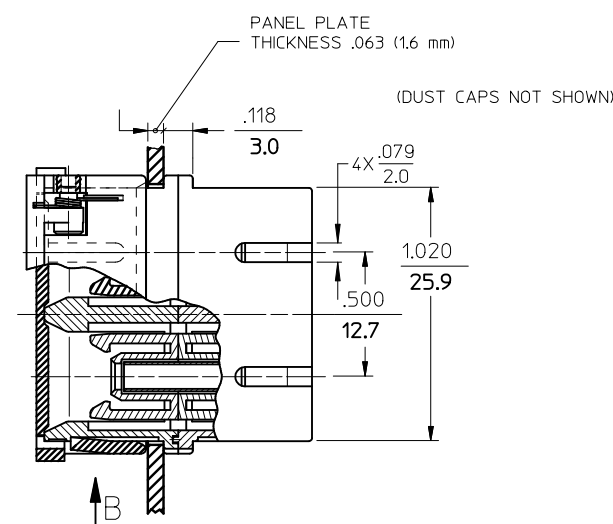
10 9 8 7 6 5 4 3 2 1



VIEW A  
VARIATION 1  
FOR LABEL INSTALLATION

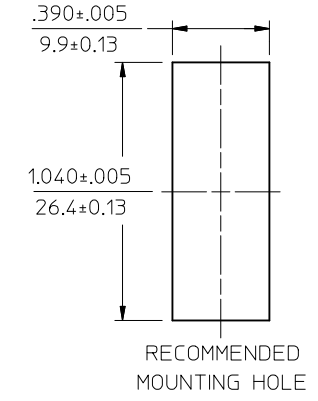


VIEW A  
VARIATION 2  
FOR LABEL INSTALLATION



VIEW B

P/N OF ADAPTER	MATERIAL OF SLEEVE	TYPE	COLOR
106166-0600	ZR	SINGLE MODE	BLUE
106167-0600	PHOSPHOR BRONZE		
106166-0610	ZR	MULTIMODE	BEIGE
106167-0610	PHOSPHOR BRONZE		
106166-0630	ZR		BLACK
106167-0630	PHOSPHOR BRONZE		
106166-0650	ZR	APC	GREEN
106167-0650	PHOSPHOR BRONZE	MULTIMODE	AQUA
106167-0620			



NOTES:

- LABEL MUST BE INSTALLED AND ORIENTED BY CUSTOMER. (SEE VIEW A)
- DUST CAPS AND MOUNTING PLATE ARE NOT SHOWN BUT INCLUDED. MOUNTING PLATE IS PACKED WITH ADAPTER AND INSTALLED BY A CUSTOMER.

ENTER DESCRIPTION	QUALITY SYMBOLS
EC NO: MF2011-0258	▽=0
DRWN:KPEVZNER 2010/12/08	▽=0
CHKD:	
APPR:WCHEN 2010/12/09	
REV	

GENERAL TOLERANCES (UNLESS SPECIFIED)
4 PLACES ± --- ± ---
3 PLACES ± --- ± ---
2 PLACES ± --- ± ---
1 PLACE ± --- ± ---
ANGULAR ±1/2°
DRAFT WHERE APPLICABLE MUST REMAIN WITHIN DIMENSIONS

DIMENSION STYLE	SCALE	DESIGN UNITS	THIRD ANGLE PROJECTION
IN/MM	4:1	INCH	
DRAWN BY	DATE	TITLE	
KPEVZNER	2010/09/30	SC DUPLEX ADAPTER WITH SHIELD	
CHECKED BY	DATE	MOLEX INCORPORATED	
APPROVED BY	DATE	MATERIAL NO.	
WCHEN	2010/12/09	SD-10616X-06X0	
MATERIAL NO.		DOCUMENT NO.	SHEET NO.
SEE TABLE		SD-10616X-06X0	1 OF 1

THIS DRAWING CONTAINS INFORMATION THAT IS PROPRIETARY TO MOLEX INCORPORATED AND SHOULD NOT BE USED WITHOUT WRITTEN PERMISSION

9 8 7 6 5 4 3 2 1