

## APPLICATIONS

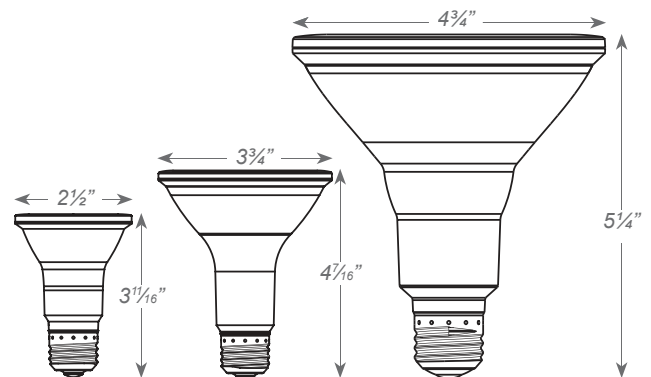
The LED PAR20/PAR30/PAR38 lamps use in recess down lights, track and outdoor security lights. These are long life maintenance free LED replacement lamps.

## FEATURES

- Direct incandescent replacement
- 25° Beam angle
- E26 medium Edison Screw-in base
- Built-in high efficiency LED driver
- 25,000 hour life span
- ENERGY STAR certified
- ETL listed for damp locations (-20°C - 40°C)
- **5 year warranty** on all electronics and housing



## STANDARD



| COMPATIBLE DIMMERS | MODEL NUMBERS |
|--------------------|---------------|
| Lutron Maestro C-L | MACL-153MR    |
| Lutron Skylark C-L | SCL-153P      |
| Leviton Sureslide  | 6674          |
| Lutron             | PD-6WCL       |
| Legrand Harmony    | HCL453PTCCCV6 |

| MODEL        | LUMENS | COLOR TEMPERATURE | CRI | WATTS |
|--------------|--------|-------------------|-----|-------|
| CBPAR20-630  | 450    | 3000K (±175)      | 80  | 6W    |
| CBPAR20-650  | 450    | 5000K (±283)      | 80  | 6W    |
| CBPAR30-930  | 750    | 3000K (±175)      | 80  | 9W    |
| CBPAR30-950  | 750    | 5000K (±283)      | 80  | 9W    |
| CBPAR38-1330 | 1050   | 3000K (±175)      | 80  | 13W   |
| CBPAR38-1350 | 1200   | 5000K (±283)      | 80  | 13W   |