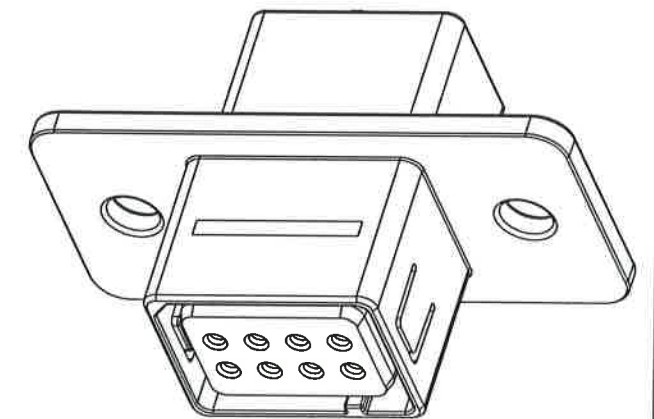
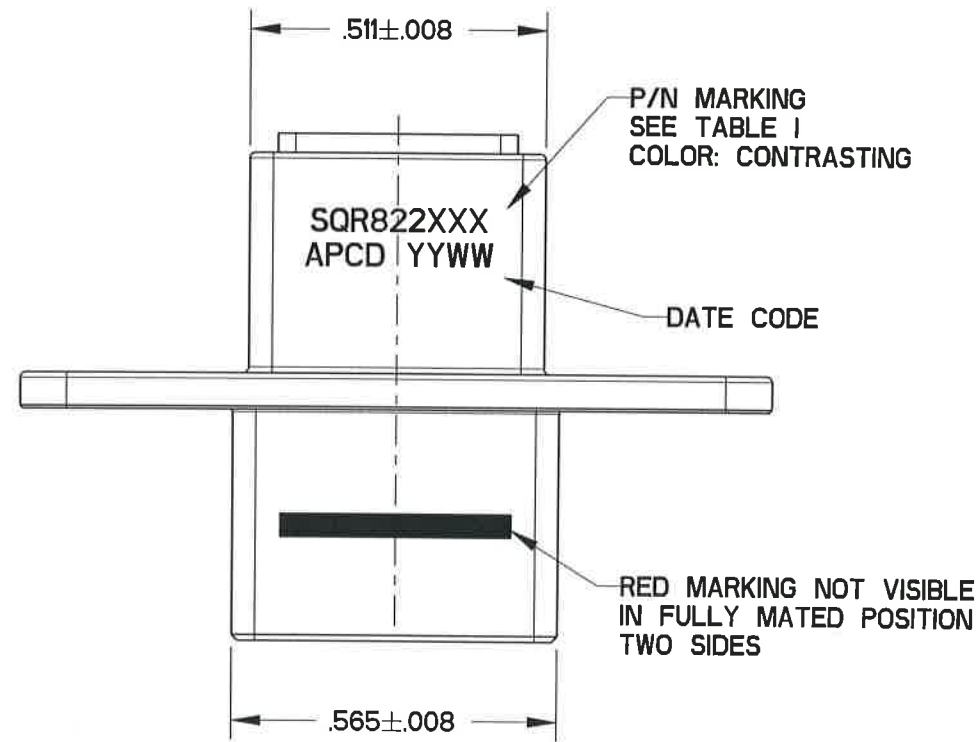
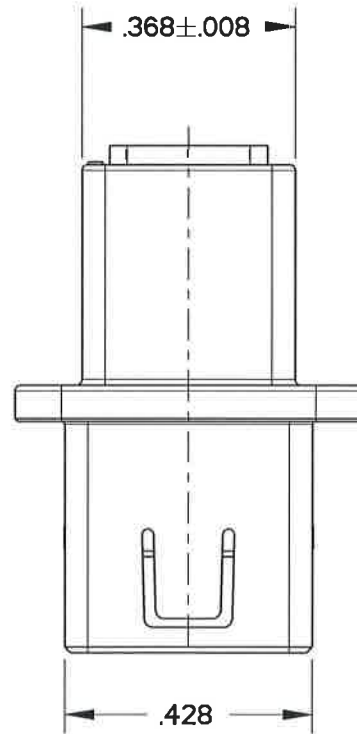
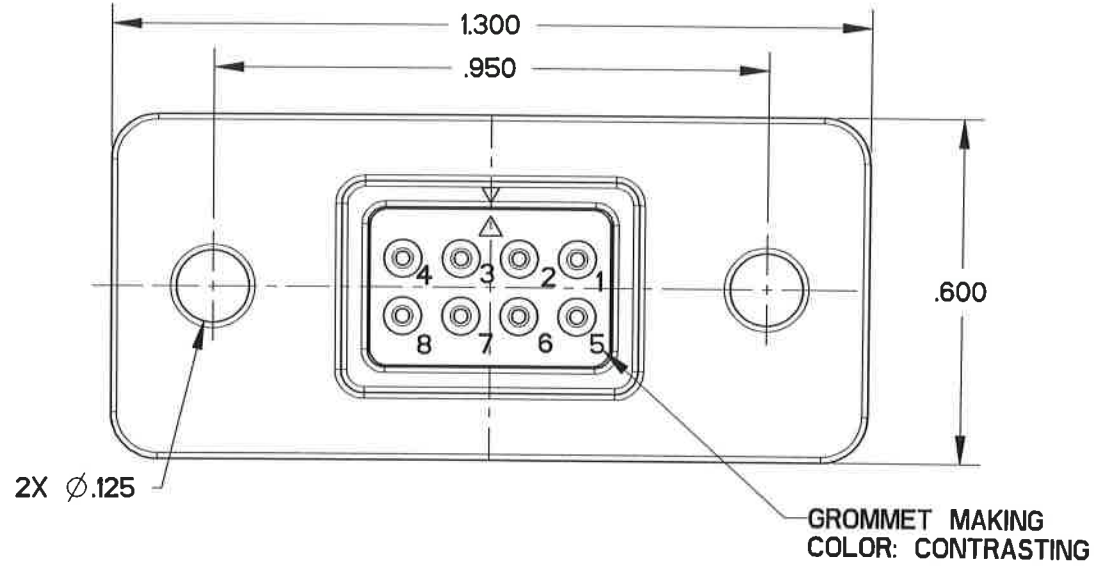


SQR822750

TABLE I - PART NUMBER SCHEME

APCD P/N	CONTACTS SUPPLIED	COLOR / KEY	P/N MARKING	PART MATES WITH
SQR822771	(8) M39029/57-354	WHITE / C	SQR822770	SQR822120
SQR822770	NONE			
SQR822761	(8) M39029/57-354	GREEN / B	SQR822760	SQR822110
SQR822760	NONE			
SQR822751	(8) M39029/57-354	BLACK / A	SQR822750	SQR822100
SQR822750	NONE			

REV	ECN	APP'D
-	8175	11/10/17



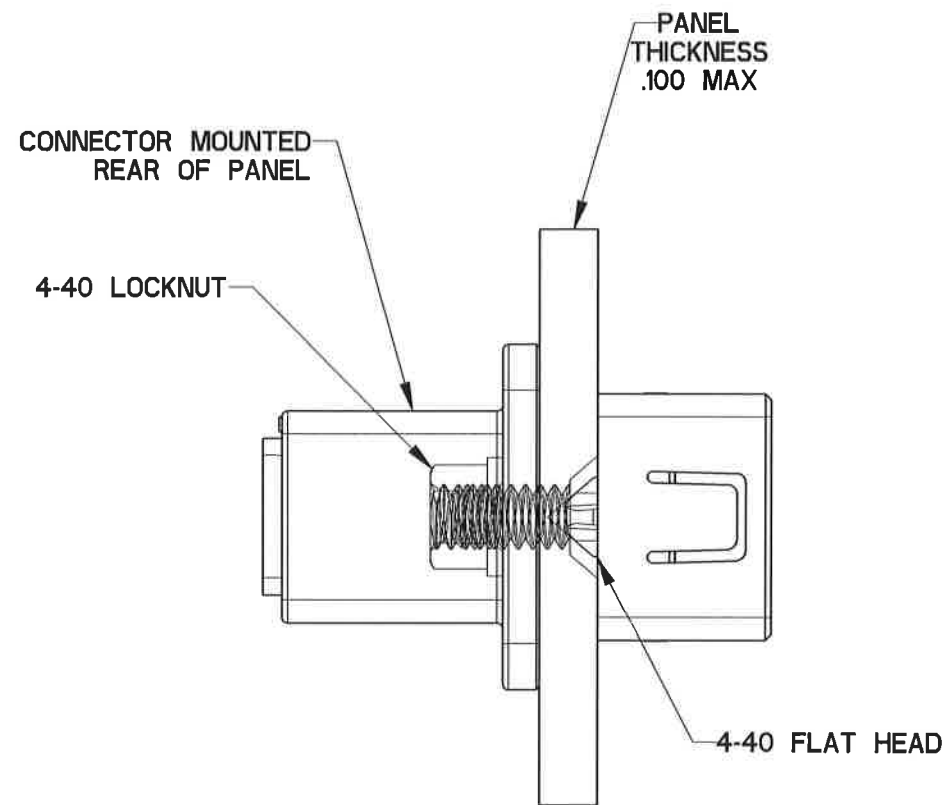
NOTES:

- MATERIALS:
 OUT HOUSING: POLYETHERIMIDE, COLOR: SEE THE TABLE I
 INNER HOUSING: POLYETHERIMIDE, COLOR: BLACK
 CONTACT RETAINER: STAINLESS STEEL
 GROMMET: SILICONE RUBBER PER A-A-59588, COLOR: RED
- PART ACCEPTS M39029/57-354 CONTACTS
- WEIGHT: 3.5g

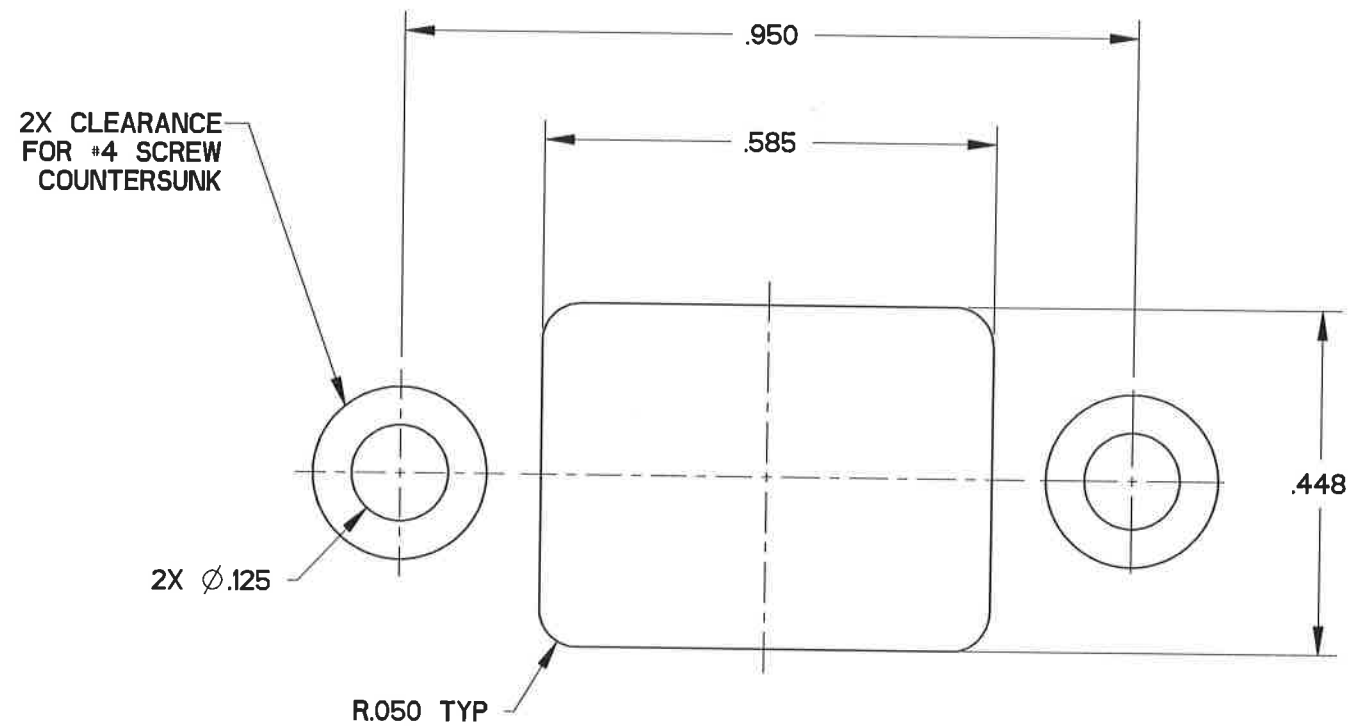
DIMENSIONS	TOLERANCES	PROJECTION	Amphenol Pcd SPECIFICATION DRAWING		TITLE REAR MOUNT FLANGE 8 POS SIZE 22 RECEPTACLE FOR SOCKET CONTACTS, SQR SIZE 2		
ANSI Y14.5M UNITS: INCHES Pro/E FILE	.XX ±0.01 .XXX ±0.005 ANGLES ±2.0°		ENGR MICKEY ZHANG Jun-22-17		SIZE B	DWG NO. SQR822750	REV -
ORIGINAL	THIS DOCUMENT CONTAINS PROPRIETARY INFORMATION WHICH IS THE CONFIDENTIAL PROPERTY OF AMPHENOL PCD INC., BEVERLY, MA		CHKD <i>Mickey Zhang</i> 11/10/17	APPD <i>Michelle Jones</i> 11/10/17	CODE: 58982	SCALE: 3:1	SHEET 1 OF 2

SQR822750

SQR822750



PANEL MOUNTING RECOMMENDATIONS



RECOMMENDED PANEL CUT OUT FOR HARDWARE INSTALLATION

SIZE	DWG NO.	REV
B	SQR822750	-
CODE: 58982	SCALE: 3:1	SHEET 2 OF 2