

# Preliminary Specification



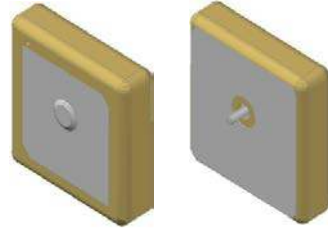
## Patch Antenna



### JTT1575S15P4I

#### Feature

- High gain , Compact
- Pin type
- Customization available

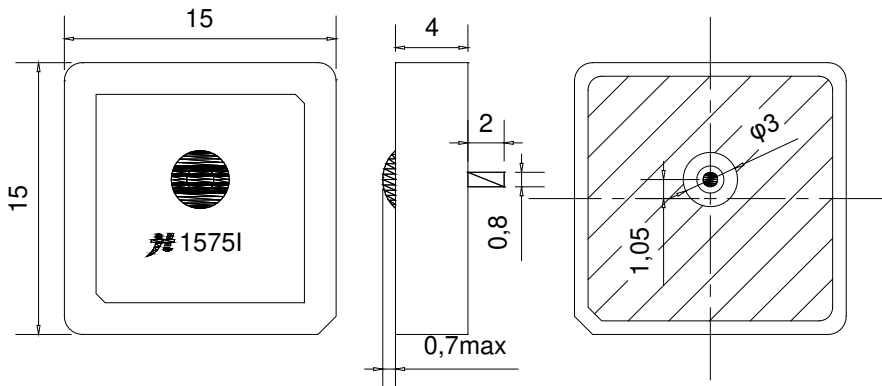


#### Electrical Specification

Center Frequency	1575.42 ± 3.0 MHz
Return Loss @ F0	≥ 15 dB
Bandwidth @ 10dB Return loss	-
Polarization	RHCP
Gain @ Zenith	-2.5 dBi typ.
Ground plane	-
Impedance	50 Ω
Frequency Temperature Coefficient	±20 ppm/°C
Operation Temperature Range	-40 ~ +85°C



#### Mechanical Drawing



Tolerance Unless Otherwise Specified: ±0.30  
Unit: mm

