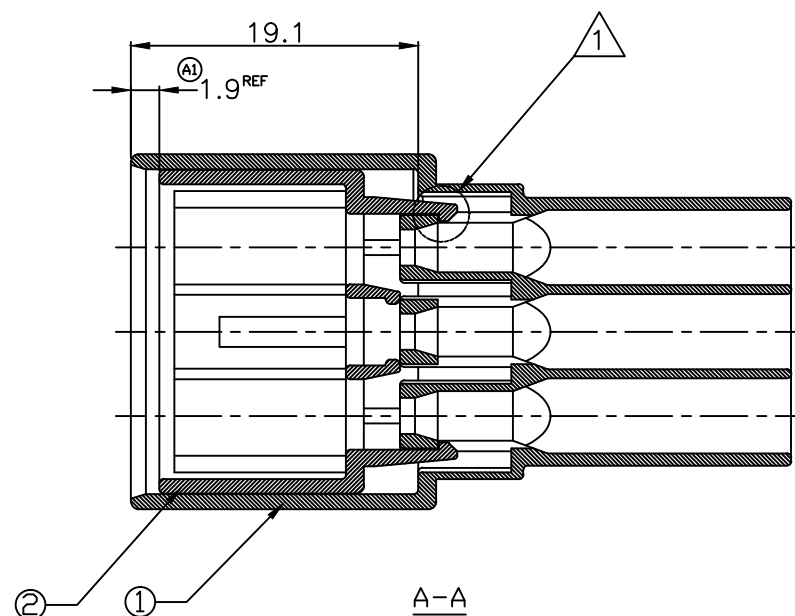
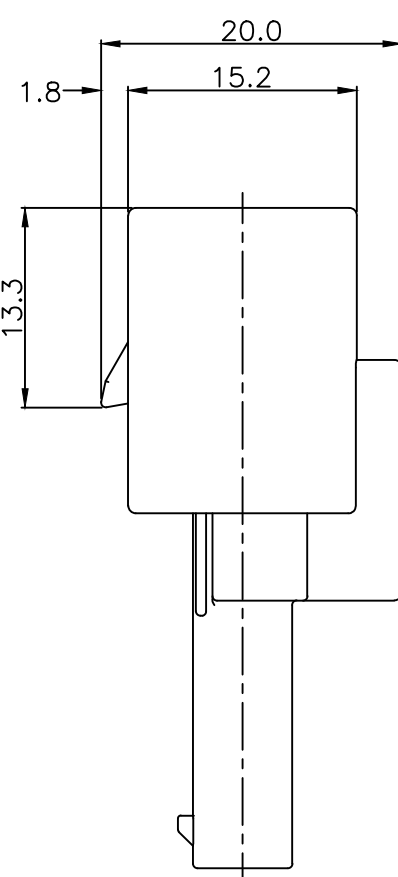
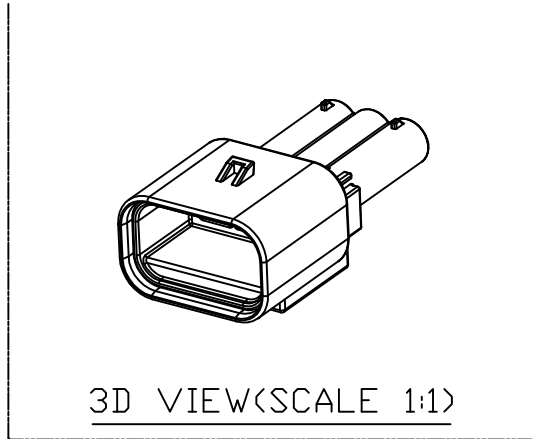
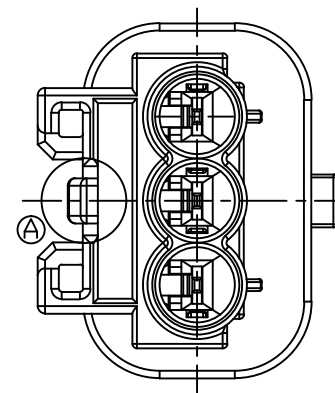
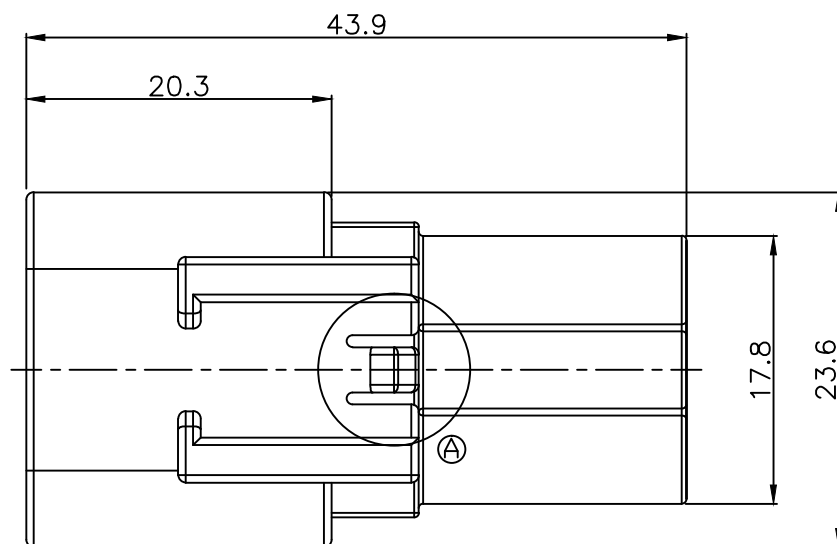
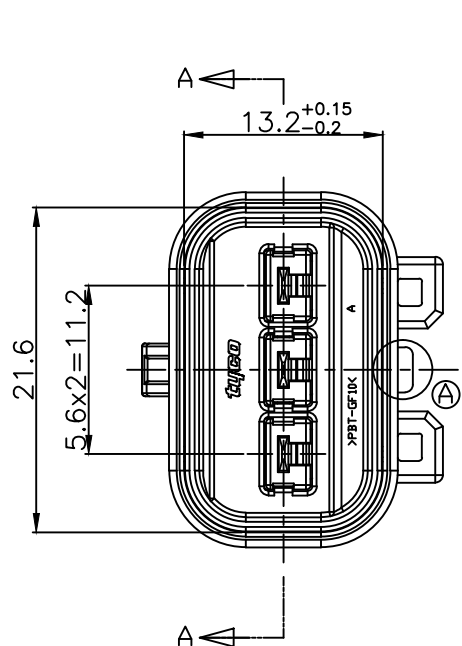


LOC	DIST	REVISIONS					
		P	LTR	DESCRIPTION	DATE	DWN	APVD
DS		A		REVISED (ECR-06-021750)	14/SEP/06	BH	JK
		A1		REVISED (ECR-16-000511)	05/FEB/16	SJ	HG



NOTES

- 1. CONDITION OF DELIVERY : DBL PLATE IN OPEN POSITION.
 - 2. APPLIED TAB CONTACT P/N:
- | CONTACT | .090 TERMINAL | | |
|-----------------------------|---------------|--------------|--------------------|
| Part NO. | 936260-1 | 936261-1 | 936262-1 |
| WIRE SIZE(mm ²) | 0.3-AVS0.5 | 0.85-AVS1.25 | AVSS2.0, AESSXF2.5 |
- 3. APPLIED FEMALE CONNECTOR P/N : 936251-2
 - 4. APPLIED WIRE COVER HSG P/N : 936312-1
(CORRUGATOR DIA : Ø5)

NO.	COLOR	MATERIAL	DESCRIPTION	P/N	REV
2	WHITE	PBT GF10	DBL PLATE	936296-1	1
1	BLACK	PBT	CAP HSG	936245-2	1

THIS DRAWING IS A CONTROLLED DOCUMENT FOR TYCO ELECTRONICS CORPORATION IT IS SUBJECT TO CHANGE AND THE CONTROLLING ENGINEERING ORGANIZATION SHOULD BE CONTACTED FOR THE LATEST REVISION.		DWN : BH LEE CHK : YM CHOI APVD : JK SONG PRODUCT SPEC APPLICATION SPEC WEIGHT CUSTOMER DRAWING		TE Connectivity	
DIMENSIONS: MM 		TOLERANCES UNLESS OTHERWISE SPECIFIED: 0 <XX<10 ± 0.2 10<XX<30 ± 0.25 30<XX ± 0.3 ANGLES ± 3°		NAME .090 SEALED 3P CAP ASS'Y	
MATERIAL SEE TABLE		FINISH		SIZE CAGE CODE DRAWING NO RESTRICTED TO A3 00779 C- 936292	
				SCALE 2/1 SHEET 1 OF 1 REV A1	