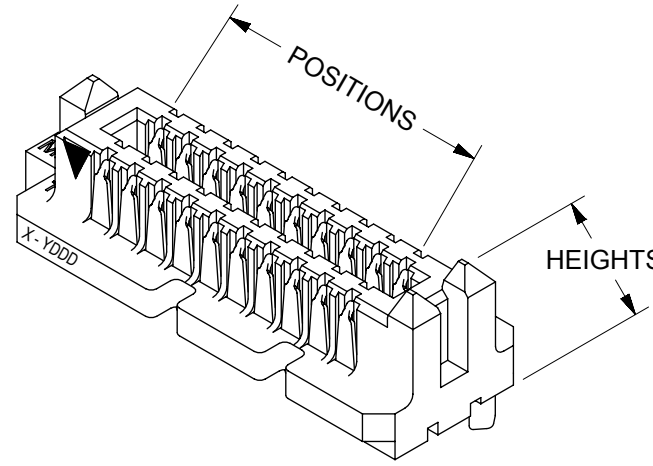
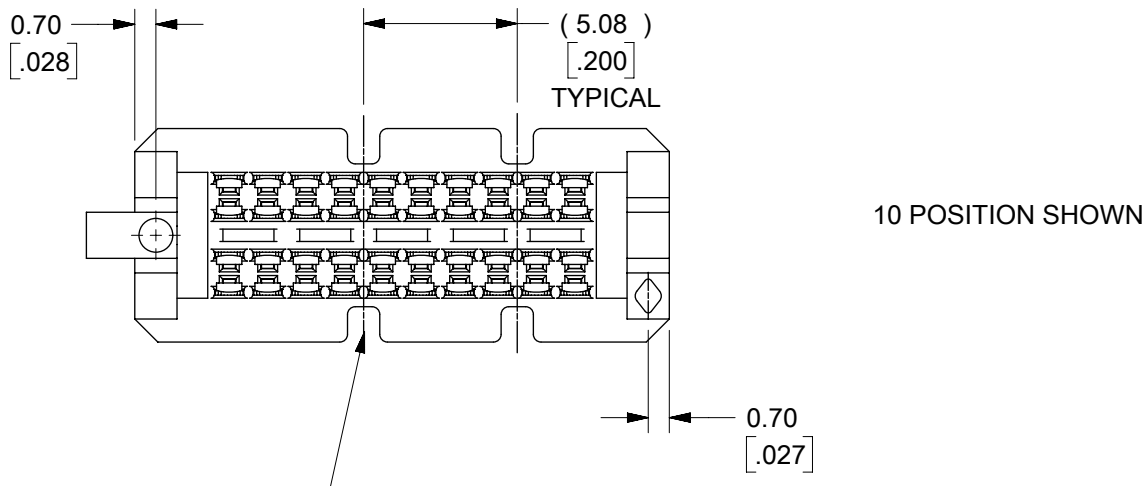
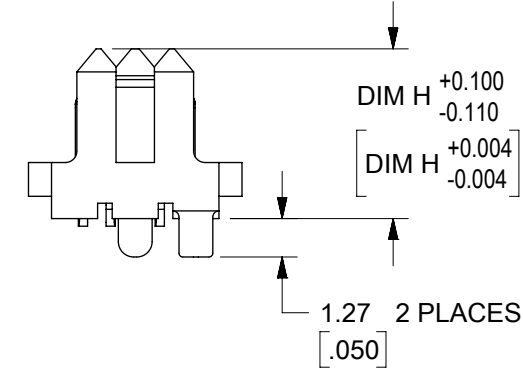
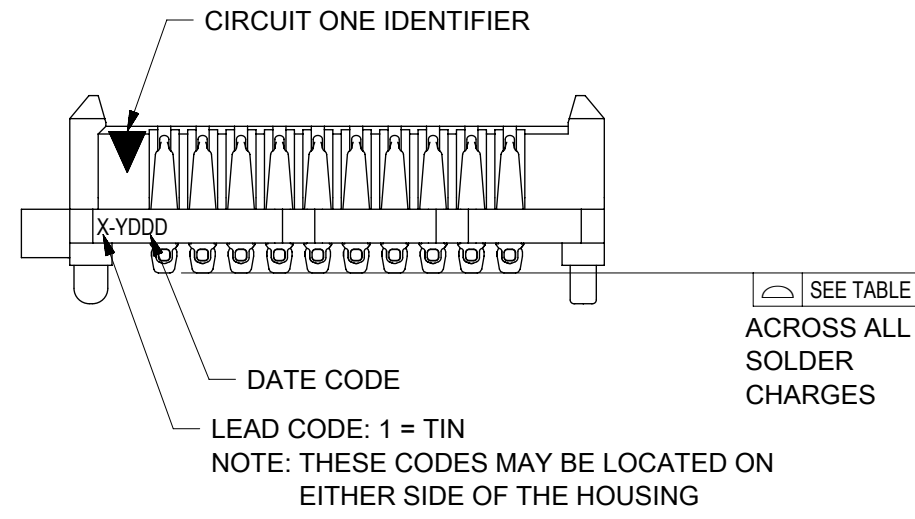


- NOTES:
- MATERIALS: HOUSING: GLASS FILLED LCP (LIQUID CRYSTAL POLYMER), UL94V-0, BLACK
CONTACTS: COPPER ALLOY
SOLDER CHARGE: 95.5% TIN, 3.8% SILVER, 0.7% COPPER
 - FINISHES: CONTACT AREA: 30 MICROINCH MINIMUM GOLD
TAIL AREA: -*1** AND -*4** ASSEMBLIES: 7 MICROINCH MINIMUM GOLD
ALL OTHER ASSEMBLIES: 50 MICROINCH MINIMUM TIN
ENTIRE TERMINAL: NICKEL UNDERPLATE
 - PRODUCT SPECIFICATION: PS-45970-001
 - PACKAGING SPECIFICATION: PK-45970-002 (TAPE AND REEL)
 - MATES WITH SEARAY RECEPTACLE ASSEMBLY SERIES 46557
 - APPLICATION SPECIFICATION: AS-45970-001
 - COSMETIC SPECIFICATION: PS-45499-002 CLASS B
 - PART STATUS: CONTACT MOLEX

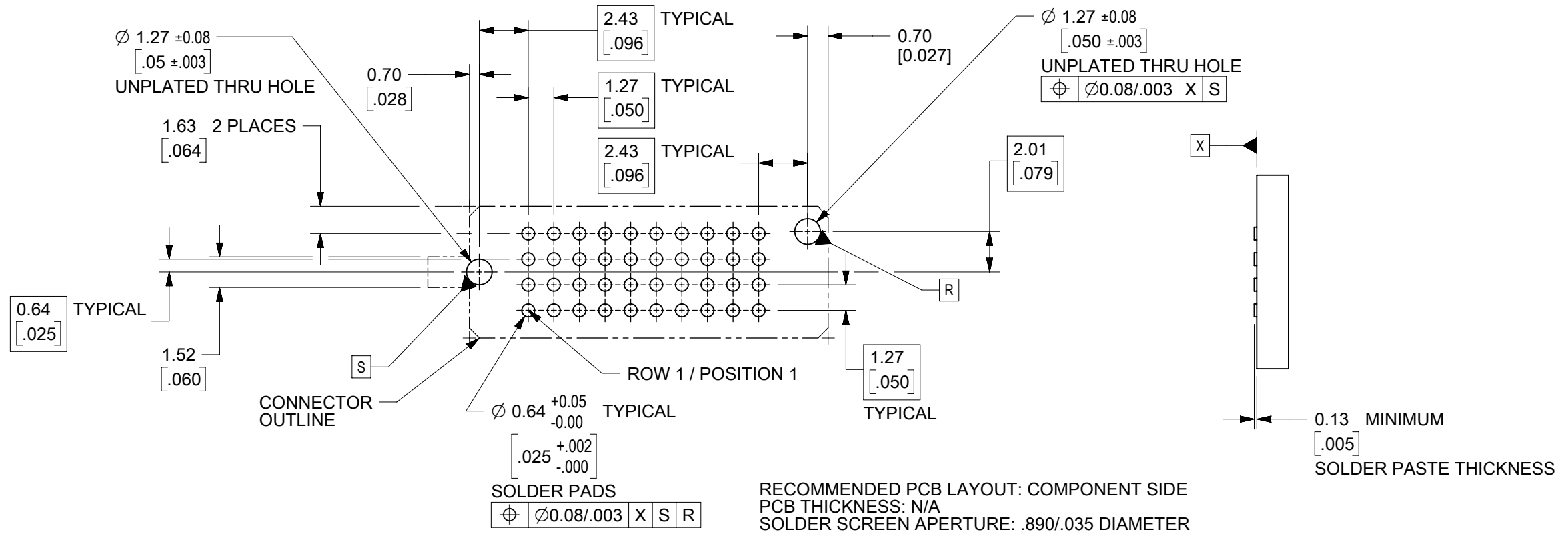


| POSITIONS | DIM G | | TOTAL NUMBER OF EDGE NOTCHES |
|-----------|-------------|-----------|------------------------------|
| 10 | 17.69/.698 | 0.15/.006 | 4 |
| 15 | 24.04/.948 | 0.15/.006 | 6 |
| 20 | 30.39/1.198 | 0.15/.006 | 10 |
| 25 | 36.74/1.448 | 0.15/.006 | 12 |
| 30 | 43.09/1.698 | 0.15/.006 | 14 |
| 35 | 49.44/1.948 | 0.15/.006 | 16 |
| 40 | 55.79/2.198 | 0.15/.006 | 20 |
| 45 | 62.14/2.448 | 0.23/.009 | 22 |
| 50 | 68.49/2.698 | 0.23/.009 | 24 |

EDGE NOTCHES - SEE TABLE
(THE NUMBER OF NOTCHES INCREASES AS THE NUMBER OF POSITIONS INCREASES. LOCATION REF. ONLY)

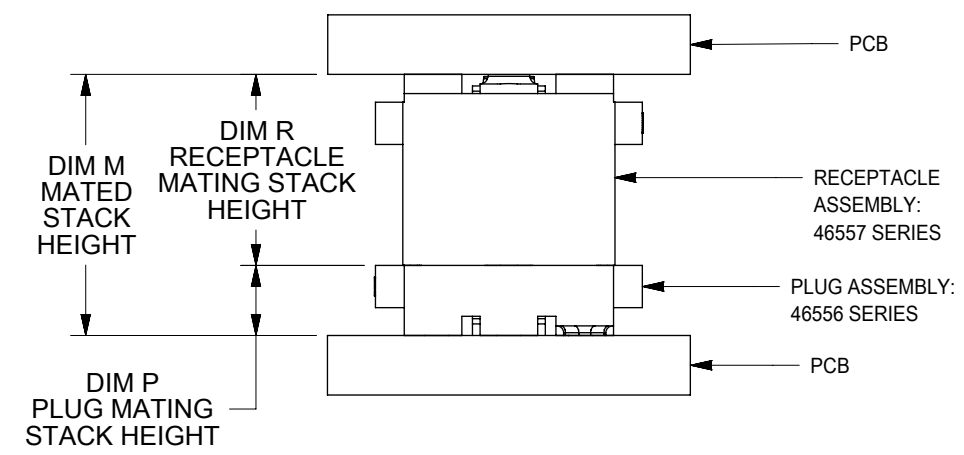
THIS DRAWING CONTAINS INFORMATION THAT IS PROPRIETARY TO MOLEX ELECTRONIC TECHNOLOGIES, LLC AND SHOULD NOT BE USED WITHOUT WRITTEN PERMISSION

| | | | | | | |
|--|------------------------|-------------------|------------|--------------------------|----------------|----------|
| DIMENSION UNITS MM/IN | SCALE 4:1 | CURRENT REV DESC: | | molex | | |
| GENERAL TOLERANCES (UNLESS SPECIFIED) | | EC NO: 712067 | | | | |
| ANGULAR TOL ± 0.5° | | DRWN: CLHOE01 | 2022/01/19 | PRODUCT CUSTOMER DRAWING | | |
| 4 PLACES ± | | CHK'D: HCGOH | 2022/06/27 | DOCUMENT NUMBER | | |
| 3 PLACES ± | | APPR: SHONG | 2022/07/14 | SD-46556-001 | | |
| 2 PLACES ± 0.25 | | INITIAL REVISION: | | DOC TYPE | DOC PART | REVISION |
| 1 PLACE ± 0.38 | | DRWN: TGREGORI | 2007/06/28 | PSD | 001 | P |
| 0 PLACES ± | | APPR: JCOMERCI | 2007/06/29 | SHEET NUMBER | | |
| DRAFT WHERE APPLICABLE MUST REMAIN WITHIN DIMENSIONS | THIRD ANGLE PROJECTION | DRAWING | SERIES | MATERIAL NUMBER | CUSTOMER | |
| | | B-SIZE | 46556 | SEE TABLE SHT 3 | GENERAL MARKET | 1 OF 3 |



| | | DIM R RECEPTACLE STACK HEIGHT | | | | | | | | | |
|-------------------------|-----|-------------------------------|-----------|-------------------|-----------|-------------------|-----------|-------------------|-----------|-------------------|-----------|
| | | 5.0 | | 6.0 | | 6.5 | | 7.5 | | 8.0 | |
| DIM P PLUG STACK HEIGHT | mm | DIM M FULLY MATED | DIM M MAX | DIM M FULLY MATED | DIM M MAX | DIM M FULLY MATED | DIM M MAX | DIM M FULLY MATED | DIM M MAX | DIM M FULLY MATED | DIM M MAX |
| | 2.0 | 7.00 | 7.74 | 8.00 | 8.74 | 8.50 | 9.24 | 9.50 | 10.24 | 10.00 | 10.74 |
| | 2.5 | 7.50 | 8.24 | 8.50 | 9.24 | 9.00 | 9.74 | 10.00 | 10.74 | 10.50 | 11.24 |
| | 3.0 | 8.00 | 8.74 | 9.00 | 9.74 | 9.50 | 10.24 | 10.50 | 11.24 | 11.00 | 11.74 |
| | 3.5 | 8.50 | 9.24 | 9.50 | 10.24 | 10.00 | 10.74 | 11.00 | 11.74 | 11.50 | 12.24 |
| | 4.5 | 9.50 | 10.24 | 10.50 | 11.24 | 11.00 | 11.74 | 12.00 | 12.74 | 12.50 | 13.24 |
| | 5.0 | 10.00 | 10.74 | 11.00 | 11.74 | 11.50 | 12.24 | 12.50 | 13.24 | 13.00 | 13.74 |
| | 7.0 | 12.00 | 12.74 | 13.00 | 13.74 | 13.50 | 14.24 | 14.50 | 15.24 | 15.00 | 15.74 |

MATED STACK HEIGHTS
GIVEN IN MILLIMETERS (mm) FOR REFERENCE ONLY



STACK HEIGHTS
GIVEN IN MILLIMETERS (mm) FOR REFERENCE ONLY

THIS DRAWING CONTAINS INFORMATION THAT IS PROPRIETARY TO MOLEX ELECTRONIC TECHNOLOGIES, LLC AND SHOULD NOT BE USED WITHOUT WRITTEN PERMISSION

| | | | | | | |
|---------------------------------------|--------------------|-------------------|----------------|----------------------------------|--------------------------|----------------------|
| DIMENSION UNITS: MM/IN | SCALE: 4:1 | CURRENT REV DESC: | | molex | | |
| GENERAL TOLERANCES (UNLESS SPECIFIED) | ANGULAR TOL ± 0.5° | EC NO: 712067 | DRWN: CLHOE01 | | | |
| 4 PLACES ± | | CHK'D: HCGOH | 2022/06/27 | PRODUCT CUSTOMER DRAWING | | |
| 3 PLACES ± | | APPR: SHONG | 2022/07/14 | DOCUMENT NUMBER: SD-46556-001 | | |
| 2 PLACES ± 0.25 | | INITIAL REVISION: | DRWN: TGREGORI | 2007/06/28 | DOC TYPE: PSD | DOC PART: 001 |
| 1 PLACE ± 0.38 | | APPR: JCOMERCI | 2007/06/29 | REVISION: P | | |
| 0 PLACES ± | | | | MATERIAL NUMBER: SEE TABLE SHT 3 | CUSTOMER: GENERAL MARKET | SHEET NUMBER: 2 OF 3 |

E

D

C

B

A

| | | | | | | | |
|-----------|-------------|-------------|-------------|-------------|-------------|-------------|-------------|
| DIM P: | 2.0 mm | 3.0 mm | 3.5 mm | 2.5 mm | 4.5 mm | 5.0 mm | 7.0 mm |
| DIM H: | 5.61/.221 | 6.60/.260 | 7.11/.280 | 6.12/.241 | 8.10/.319 | 8.61/.339 | 10.61/.418 |
| POSITIONS | MATERIAL NO | MATERIAL NO | MATERIAL NO | MATERIAL NO | MATERIAL NO | MATERIAL NO | MATERIAL NO |
| 10 | 46556-1145 | 46556-1245 | 46556-1345 | 46556-1445 | 46556-1545 | 46556-1645 | 46556-1745 |
| 20 | 46556-2145 | 46556-2245 | 46556-2345 | 46556-2445 | 46556-2545 | 46556-2645 | 46556-2745 |
| 30 | 46556-3145 | 46556-3245 | 46556-3345 | 46556-3445 | 46556-3545 | 46556-3645 | 46556-3745 |
| 40 | 46556-4145 | 46556-4245 | 46556-4345 | 46556-4445 | 46556-4545 | 46556-4645 | 46556-4745 |
| 50 | 46556-5145 | 46556-5245 | 46556-5345 | 46556-5445 | 46556-5545 | 46556-5645 | 46556-5745 |
| 15 | 46556-6145 | 46556-6245 | 46556-6345 | 46556-6445 | 46556-6545 | 46556-6645 | 46556-6745 |
| 25 | 46556-7145 | 46556-7245 | 46556-7345 | 46556-7445 | 46556-7545 | 46556-7645 | 46556-7745 |
| 35 | 46556-8145 | 46556-8245 | 46556-8345 | 46556-8445 | 46556-8545 | 46556-8645 | 46556-8745 |
| 45 | 46556-9145 | 46556-9245 | 46556-9345 | 46556-9445 | 46556-9545 | 46556-9645 | 46556-9745 |

MATING STACK HEIGHTS (DIMENSION P)
GIVEN IN MILLIMETERS (mm) FOR REFERENCE ONLY

| | | | | | | | | | | | |
|---|--|-------|--|---|--|----------|--|----------|--|--------------|--|
| THIS DRAWING CONTAINS INFORMATION THAT IS PROPRIETARY TO MOLEX ELECTRONIC TECHNOLOGIES, LLC AND SHOULD NOT BE USED WITHOUT WRITTEN PERMISSION | | | | | | | | | | | |
| DIMENSION UNITS | | SCALE | | CURRENT REV DESC: | | | | | | | |
| MM/IN | | 1:1 | | EC NO: 712067 DRWN: CLHOE01 2022/01/19 CHK'D: HCGOH 2022/06/27 APPR: SHONG 2022/07/14 INITIAL REVISION: DRWN: TGREGORI 2007/06/28 APPR: JCOMERCI 2007/06/29 | | | | | | | |
| GENERAL TOLERANCES (UNLESS SPECIFIED) | | | | | | | | | | | |
| ANGULAR TOL ± 0.5° | | | | | | | | | | | |
| 4 PLACES ± | | | | | | | | | | | |
| 3 PLACES ± | | | | | | | | | | | |
| 2 PLACES ± 0.25 | | | | PRODUCT CUSTOMER DRAWING | | | | | | | |
| 1 PLACE ± 0.38 | | | | DOCUMENT NUMBER | | DOC TYPE | | DOC PART | | REVISION | |
| 0 PLACES ± | | | | SD-46556-001 | | PSD | | 001 | | P | |
| DRAFT WHERE APPLICABLE MUST REMAIN WITHIN DIMENSIONS | | | | THIRD ANGLE PROJECTION | | DRAWING | | SERIES | | SHEET NUMBER | |
| | | | | | | B-SIZE | | 46556 | | 3 OF 3 | |
| SEE TABLE | | | | GENERAL MARKET | | | | | | | |

| | | | | |
|-----------------|----|--------------|------------|----------|
| DOCUMENT STATUS | P1 | RELEASE DATE | 2022/07/14 | 16:45:45 |
|-----------------|----|--------------|------------|----------|