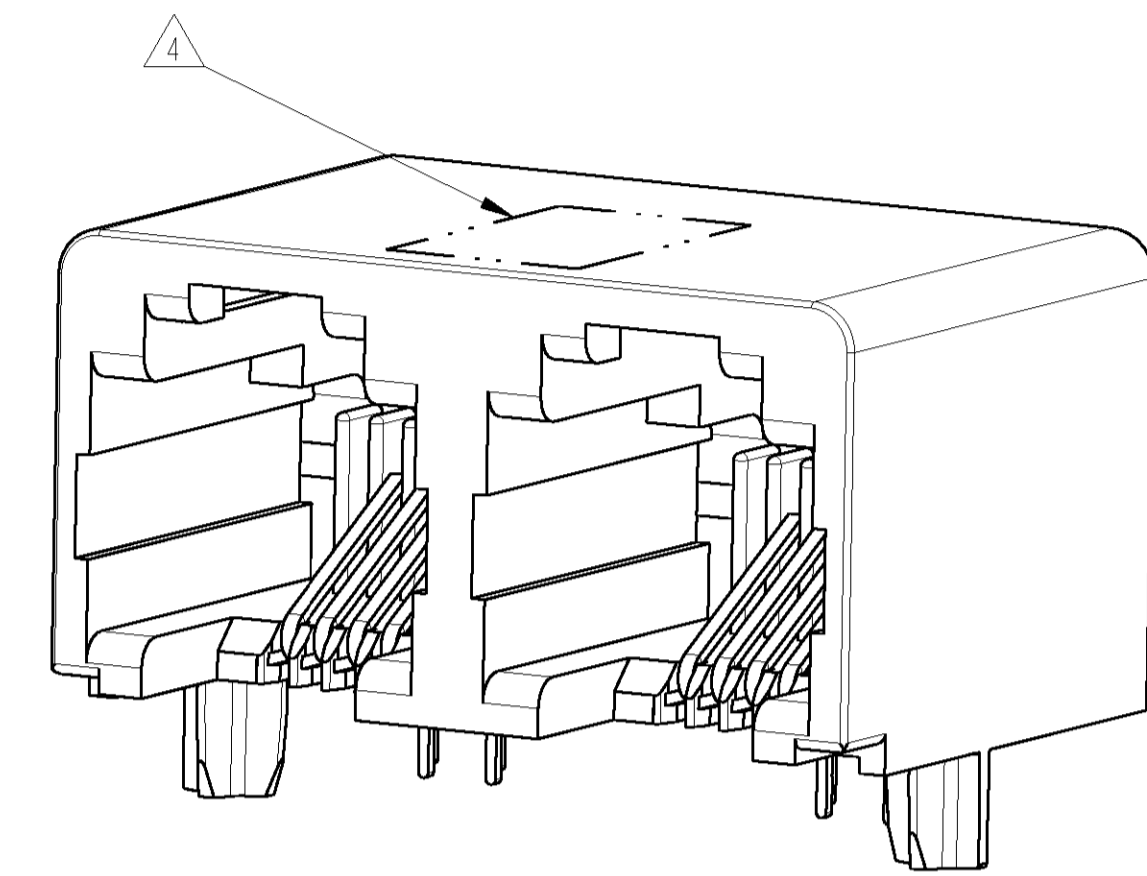
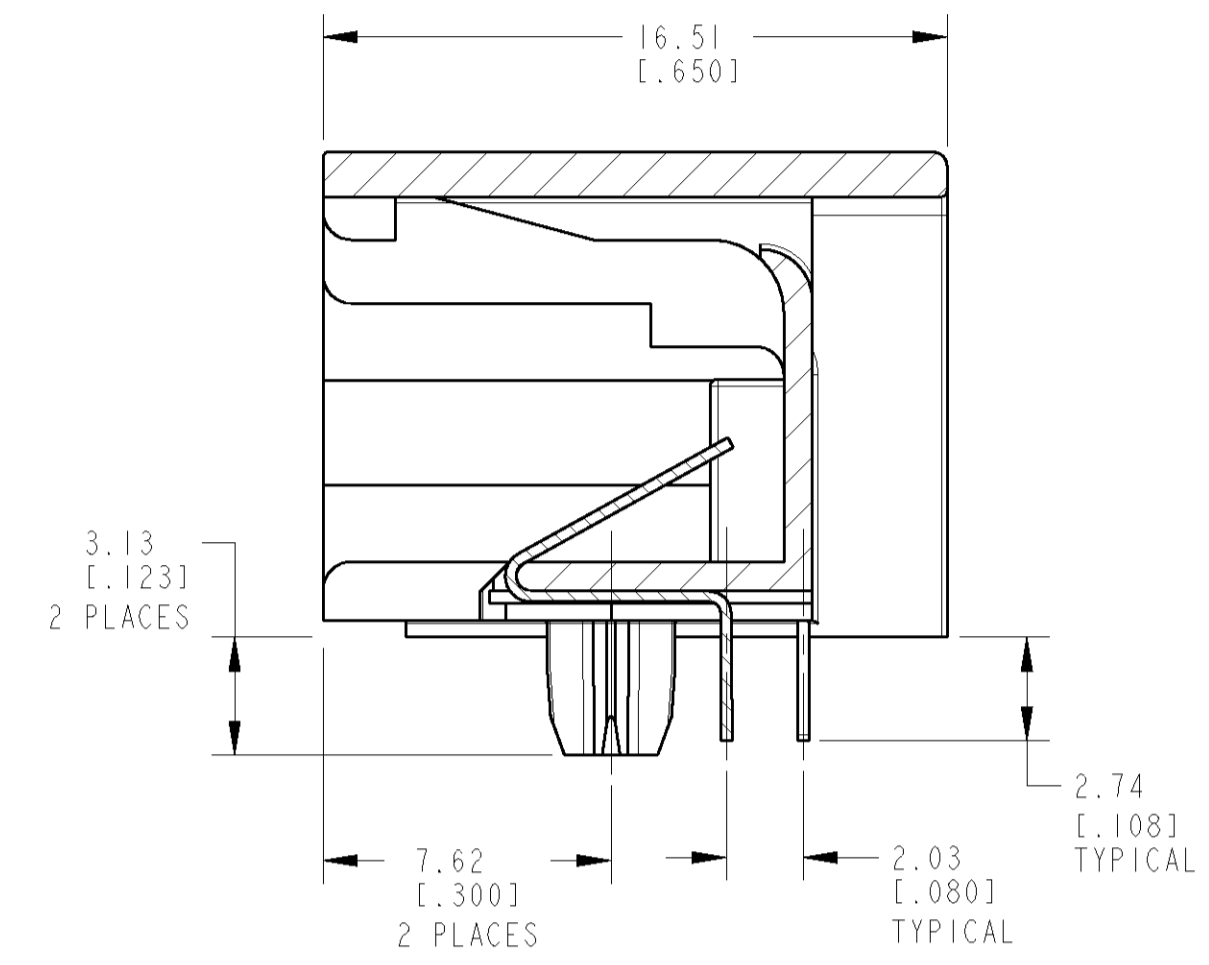
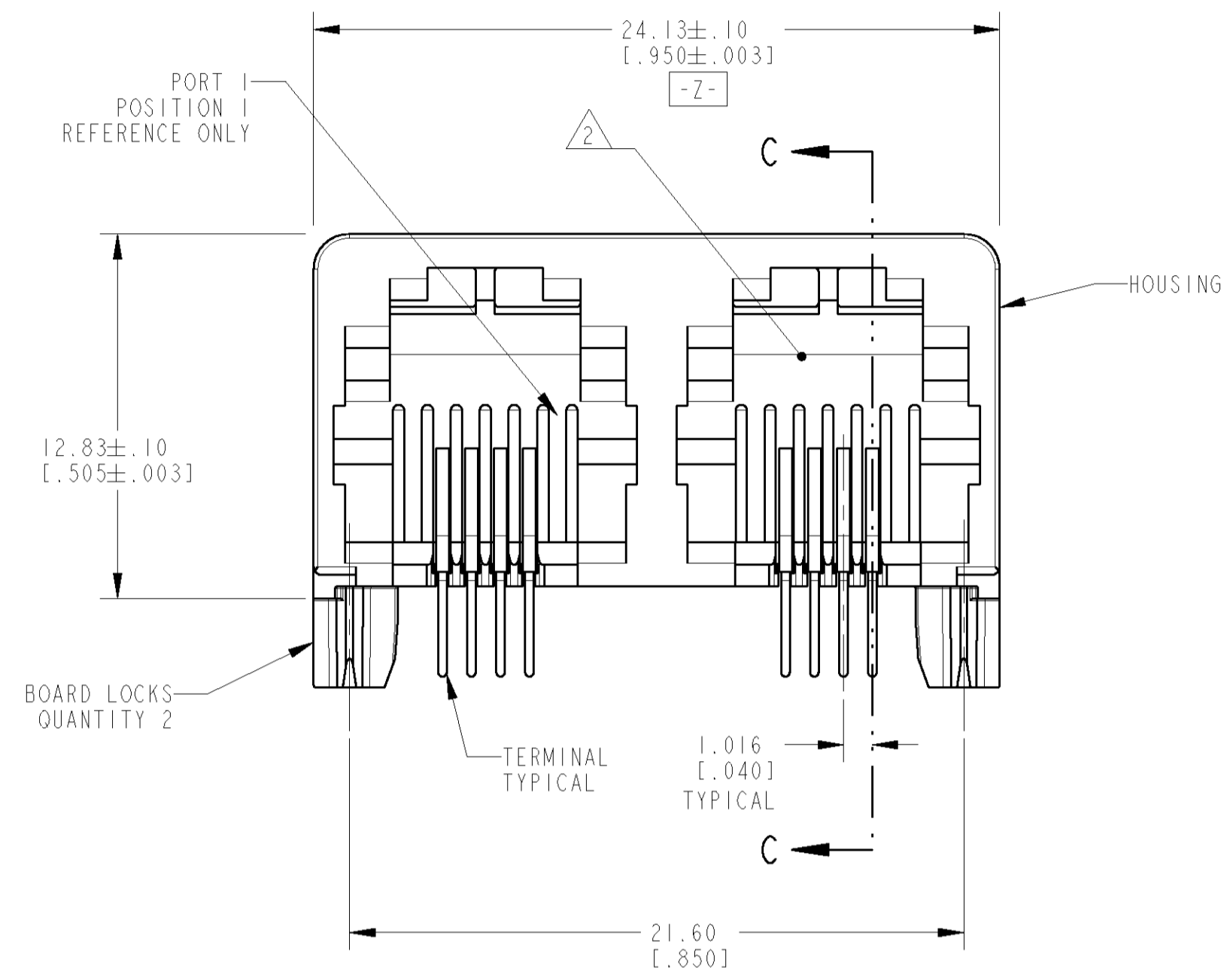
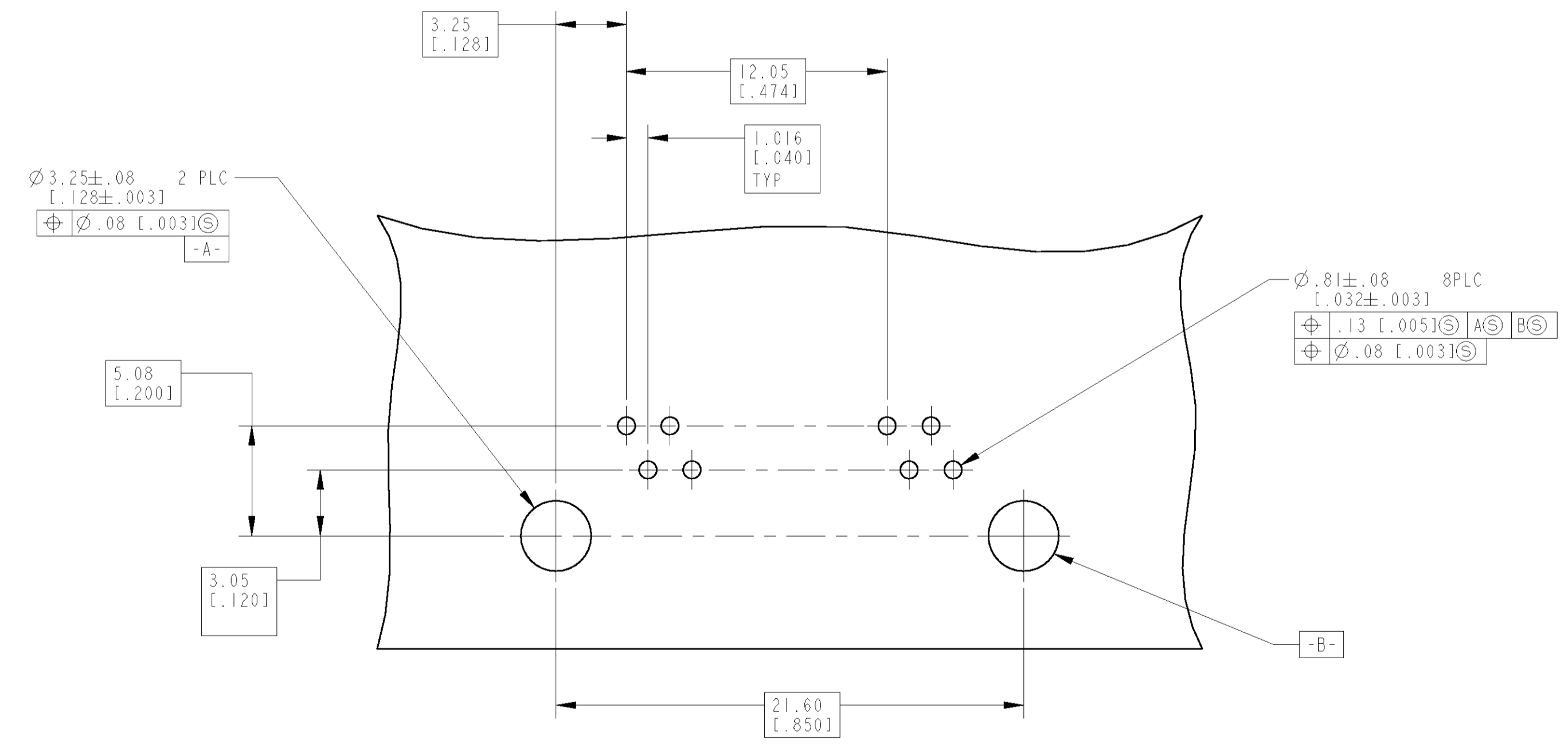


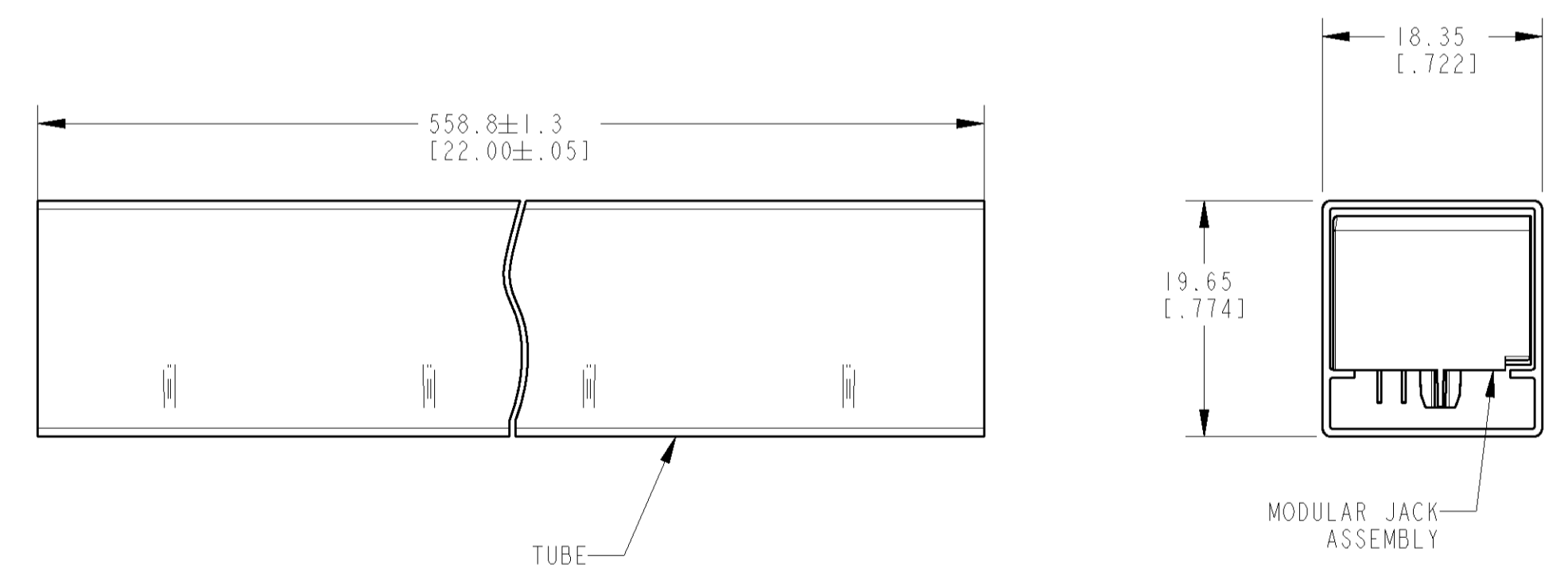
LOC	DIST	REVISIONS			
P	LTR	DESCRIPTION	DATE	DRN	APVD
E		ECO-07-018647	09AUG2007	LAM	PR
E1		REVISED PER ECO-10-000445	11JAN10	KK	AEQ



- 1 MATERIAL: HOUSING-HIGH TEMPERATURE THERMOPLASTIC, BLACK. TERMINALS-0.3(.012) THICK COPPER ALLOY PLATED WITH 1.27um(.00050) MINIMUM THICK GOLD IN LOCALIZED GOLD PLATE AREA, 2.5um(.000100) MINIMUM MATTE TIN ON TERMINATION END, BOTH OVER 1.27um(.00050) MINIMUM NICKEL OVER ENTIRE TERMINAL.
- 2 JACK CAVITY CONFORMS TO FCC RULES AND REGULATIONS, PART 68 SUBPART F.
- 3 PACKAGING-MATERIAL: ANTI-STATIC, RIGID EXTRUDED, TRANSPARENT PLASTIC TUBE 58.82±1.27 [22.0±.05] LONG, 22 PIECES PER TUBE. SEE DETAIL D
- 4 MANUFACTURING DATE CODE LOCATED APPROXIMATELY AS SHOWN. FIRST 2 DIGITS ARE YEAR, SECOND 2 DIGITS ARE WORK WEEK, LAST DIGIT IS THE DAY OF THE WEEK
- 5 MATERIAL: HOUSING - HIGH TEMPERATURE THERMOPLASTIC, COLOR: BLACK. TERMINALS 0.3 (.012) THICK COPPER ALLOY PLATED WITH 0.38 μm [.00015] GOLD IN LOCALIZED GOLD PLATE AREA, 2.5 μm [.000100] MINIMUM MATTE TIN ON TERMINATION END, BOTH OVER 1.27 μm [.00050] MINIMUM NICKEL OVER ENTIRE CONTACT
- 6 OBSOLETE PARTS: OBSOLETE CIS STREAMLINING PER D.RENAUD/D.SINISI



RECOMMENDED PRINTED
 CIRCUIT BOARD LAYOUT
 COMPONENT SIDE-VIEWED FROM TOP
 THICKNESS 1.57[.062]



DETAIL D
 SCALE 2:1

6 OBSOLETE	5	3	5406904-2
	PLATING	PACKAGING	PART NUMBER
			5406904-1

DIMENSIONS: mm [INCHES]		TOLERANCES UNLESS OTHERWISE SPECIFIED:		DWN D. STRAUSSER/ L. B. MAYER ENR J. WESTMAN APVD S. FLICKINGER		tyco AMP Incorporated Harrisburg, PA 17105-3608	
0 PLC	±	0	±	PRODUCT SPEC	NAME	SIZE	CAGE CODE
1 PLC	±	1	±	108-1689	MODULAR JACK ASSEMBLY	114-2048	00779
2 PLC	±	2	±	APPLICATION SPEC	2 PORT, 6/4, RIGHT ANGLE	2.54 grams	5406904
3 PLC	±	3	±		THRU HOLE, RJ-11		
4 PLC	±	4	±				
ANGLES	±		±				
MATERIAL		FINISH		WEIGHT			
				2.54 grams			
CUSTOMER DRAWING				SCALE	5:1	SHEET	1 OF 1
				REV	E1		