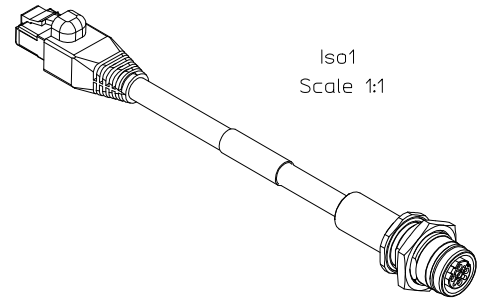
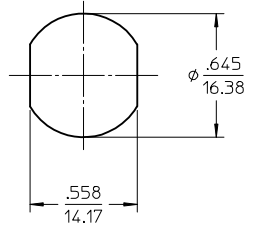
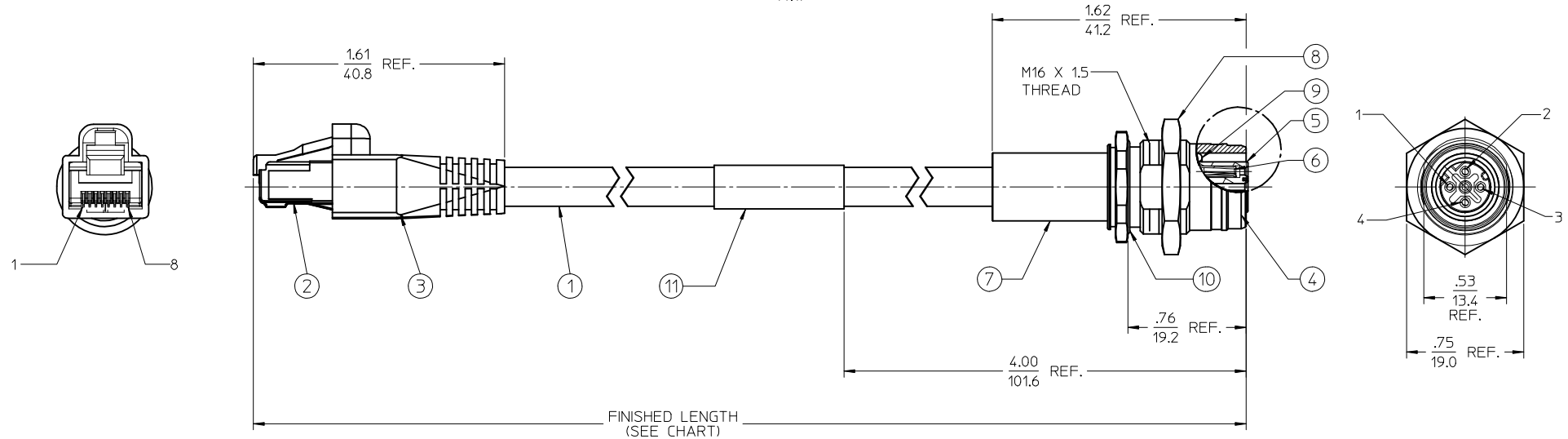


MATERIAL NO.	ENGINEERING NO.	FINISHED LENGTH
1300545003	ERWPAU7003M010	3' 3" +2.19/-0 (1M +55.6mm-0)
1201090003	ERWPAU7003M020	6' 7" +3.50/-0 (2M +88.9mm-0)

PANEL CUTOUT

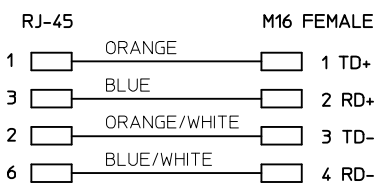


Iso1  
Scale 1:1



NOTES:

1. MATERIAL: SEE TABLE
2. FINISHES: SEE TABLE
3. ELECTRICAL SPECIFICATIONS  
VOLTAGE RATING: 150V AC/DC  
CURRENT RATING: 1.5 AMPS
4. PROTECTION: IP67
5. ASSEMBLY IS RoHS COMPLIANT BY EXEMPTION



WIRE DIAGRAM

ITEM	QTY.	DESCRIPTION	MATERIAL	FINISH
11	1	WRAP LABEL	VINYL	BLACK/YELLOW
10	1	PANEL MOUNT O-RING	NITRIL	BLACK
9	1	MATING O-RING	VITON	RED
8	1	PANEL NUT	BRASS	NICKEL PLATED
7	1	CABLE SLEEVE	BRASS	NICKEL PLATED
6	4	CONTACT SOCKET	Cu ALLOY	GOLD PLATED
5	1	INSERT, FEMALE, 4P	PUR	BLACK
4	1	RECEPTACLE SHELL	BRASS	NICKEL PLATED
3	1	RJ-45 BOOT	POLYOLEFIN	BLACK
2	1	RJ-45 PLUG	POLYCARB/Cu ALLOY	CLEAR/GOLD PLATED
1	A/R	RJ-45 CABLE, 24/4 CAT 5E ETHERNET	PVC JACKET	TEAL

NEW SALES DOC  
EC NO: IPG2013-1402  
DRAWN BY: DRWINRSTONE 2013/03/12  
CHKD BY: JOZWIK 2013/03/15  
APPR: JF MURPHY 2013/04/25

QUALITY SYMBOLS  
▽=0  
▽=0

GENERAL TOLERANCES (UNLESS SPECIFIED)

	mm	INCH
4 PLACES	± .005	± .0005
3 PLACES	± .005	± .0005
2 PLACES	± .005	± .0005
1 PLACE	± .005	± .0005
0 PLACE	± .005	± .0005

ANGULAR ± 2 °

DRAFT WHERE APPLICABLE MUST REMAIN WITHIN DIMENSIONS

DIMENSION STYLE IN/MM  
DRAWN BY: RSTONE DATE: 2013/03/12  
CHECKED BY: K JOZWIK DATE: 2013/03/15  
APPROVED BY: JFMURPHY DATE: 2013/04/25

SCALE 2:1  
DESIGN UNITS INCH  
THIRD ANGLE PROJECTION  
TITLE: MIC ETHERNET CORDSET M16 FEMALE U-LOCK RECEPT TO RJ-45 PLUG. 24 AWG  
**molex**  
DOCUMENT NO. SD-120109-013  
SHEET NO. 1 OF 1  
THIS DRAWING CONTAINS INFORMATION THAT IS PROPRIETARY TO MOLEX INCORPORATED AND SHOULD NOT BE USED WITHOUT WRITTEN PERMISSION