

4

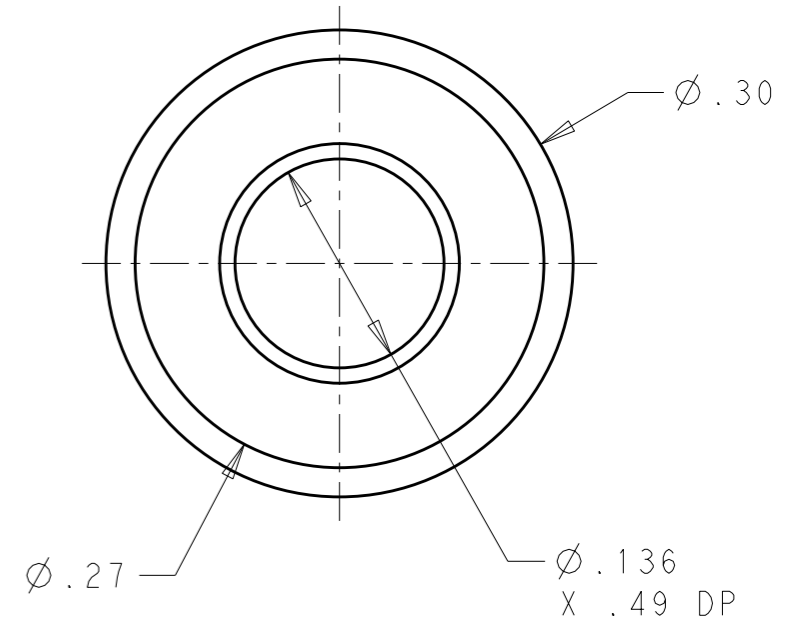
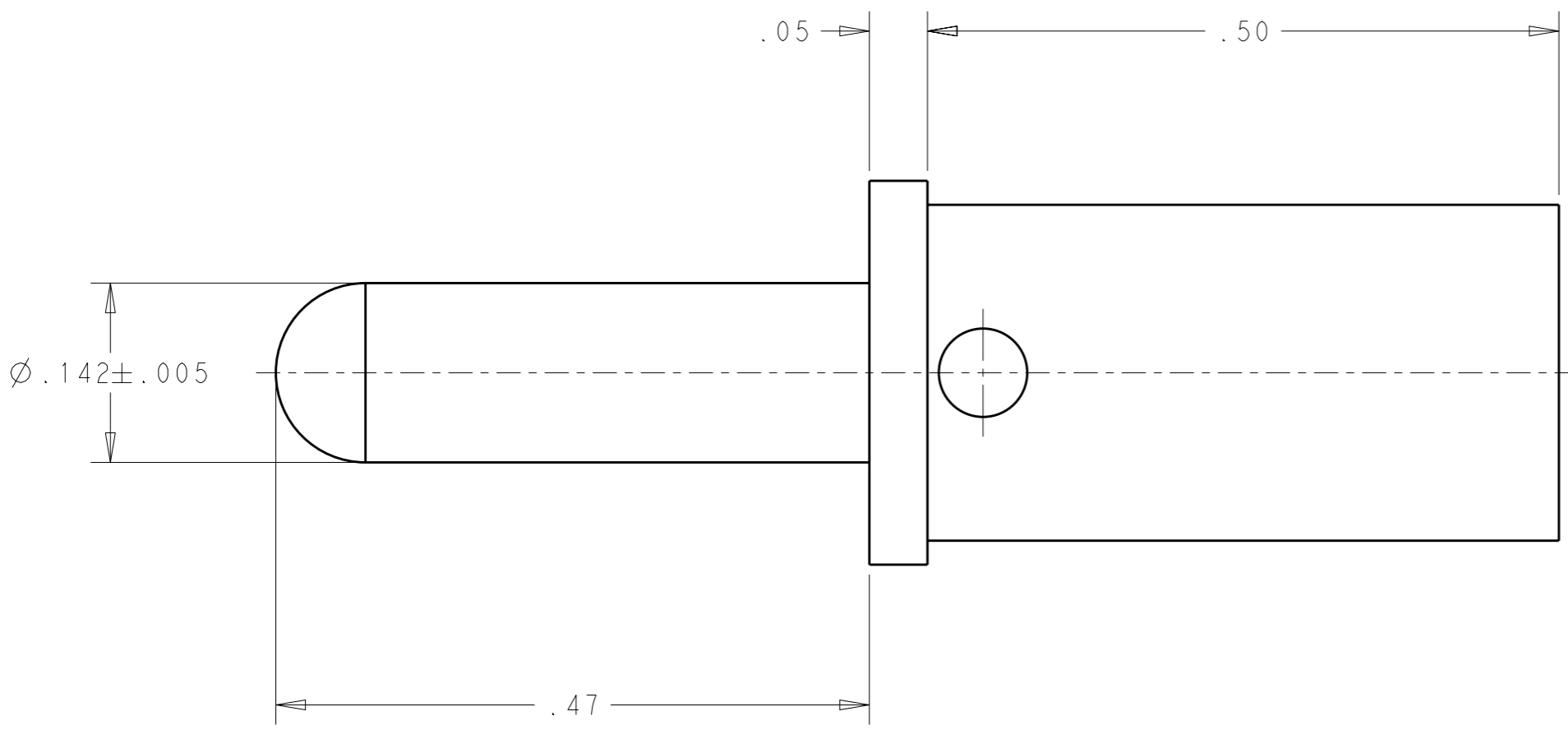
3

2

1


THIS DRAWING IS UNPUBLISHED. RELEASED FOR PUBLICATION 20
 © COPYRIGHT 20 BY - ALL RIGHTS RESERVED.

LOC	DIST	REVISIONS			
P	LTR	DESCRIPTION	DATE	DWN	APVD
GP	00	C	REV PER ECO-11-007264	14APR2011	RG DO



- PART NUMBER CHANGES AND/OR DESIGN CHANGES AFFECTING ITEM INTERCHANGEABILITY REQUIRE PRIOR TYCO ELECTRONICS APPROVAL AND AUTHORIZATION BY REVISION TO THIS DRAWING.
- ITEMS PROVIDED TO THIS SPECIFICATION SHALL BE IDENTIFIED ON THE CONTAINER WITH THE FOLLOWING INFORMATION: PART NUMBER AND DATE CODE OF MANUFACTURE.
- MATERIAL: COPPER ALLOY
- FINISH: SILVER PLATE .00200 MIN THK. OVER NICKEL .000040 MIN THK.

1766816-1
PART NUMBER

THIS DRAWING IS A CONTROLLED DOCUMENT.		DWN 11JAN2011 LOVATO/GRZYBOWSKI	 TE Connectivity													
DIMENSIONS: INCHES		CHK D. ORRIS														
TOLERANCES UNLESS OTHERWISE SPECIFIED:		APVD 11JAN2011 D. ORRIS	NAME CONTACT, PIN SIZE No.8 No.10 CRIMP BARREL ICCON													
<table border="1"> <tr><td>0 PLC</td><td>±-</td></tr> <tr><td>1 PLC</td><td>±-</td></tr> <tr><td>2 PLC</td><td>±-</td></tr> <tr><td>3 PLC</td><td>±.020</td></tr> <tr><td>4 PLC</td><td>±-</td></tr> <tr><td>ANGLES</td><td>±.5</td></tr> </table>		0 PLC	±-	1 PLC	±-	2 PLC	±-	3 PLC	±.020	4 PLC	±-	ANGLES	±.5	PRODUCT SPEC -	SIZE A300779 C-1766816	
0 PLC	±-															
1 PLC	±-															
2 PLC	±-															
3 PLC	±.020															
4 PLC	±-															
ANGLES	±.5															
MATERIAL -		APPLICATION SPEC -	RESTRICTED TO -													
FINISH -		WEIGHT -	SCALE 8:1 SHEET 1 OF 1 REV C													
CUSTOMER DRAWING																