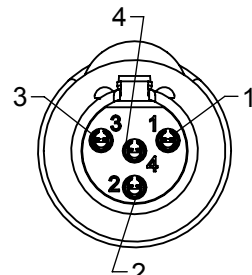
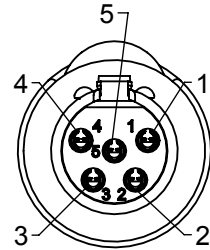


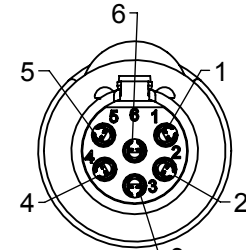
TA3FS SERIES
3 PIN



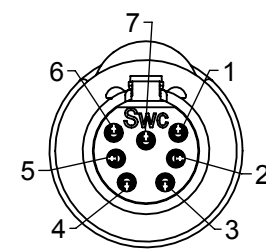
TA4FS SERIES
4 PIN



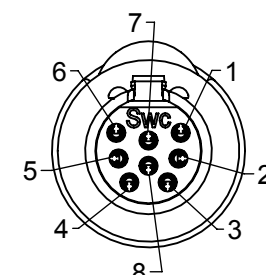
TA5FS SERIES
5 PIN



TA6FS SERIES
6 PIN

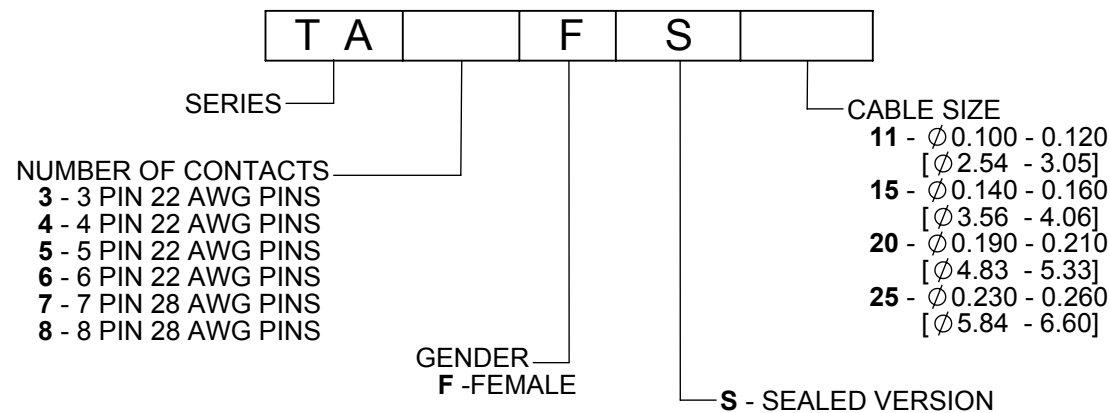


TA7FS SERIES
7 PIN

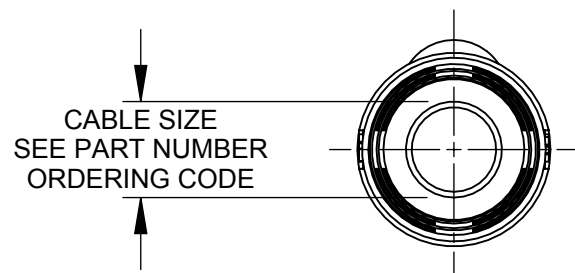
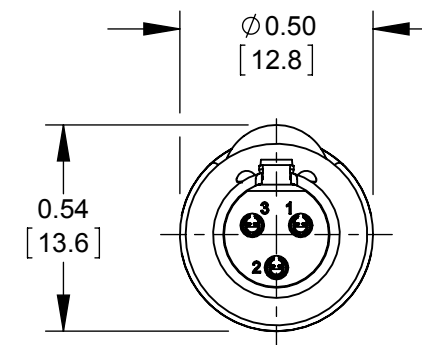
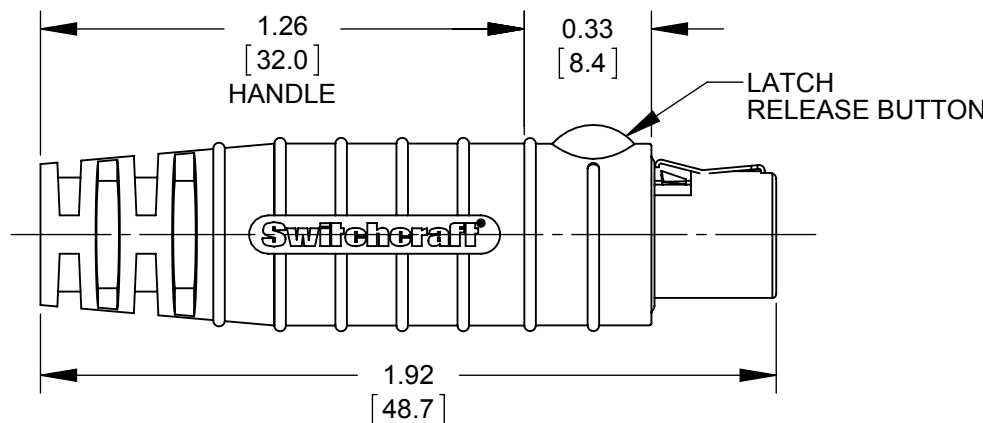
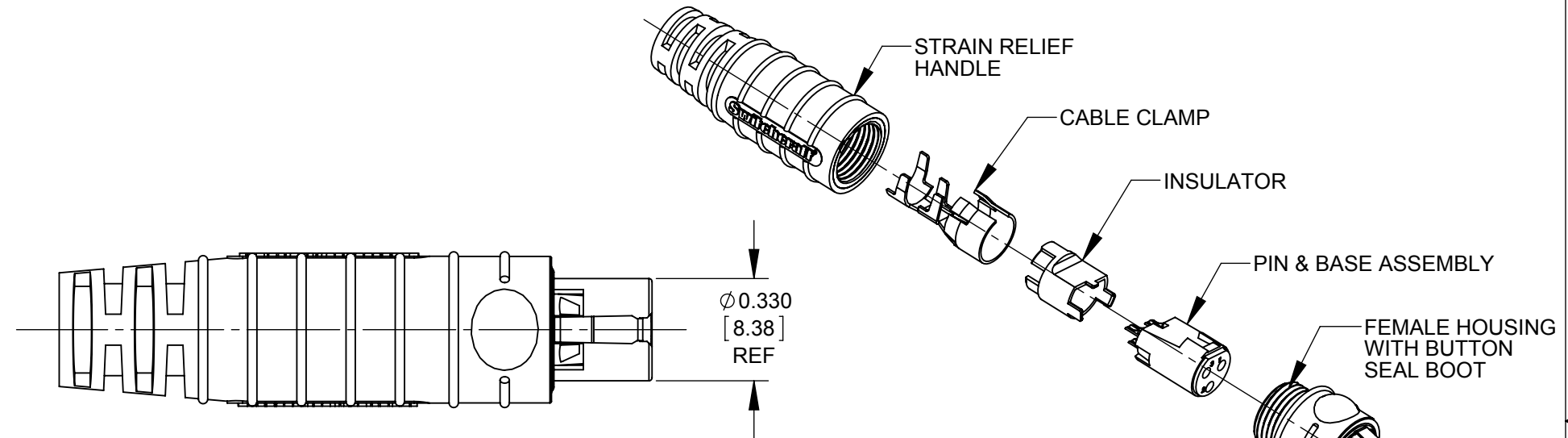


TA8FS SERIES
8 PIN

AS VIEWED FROM FRONT MATING SIDE



PART NUMBER ORDERING CODE



TA3FS SHOWN

CUSTOMER DRAWING

NOTES:

1. MATERIALS:
HOUSING - COPPER ALLOY, NICKEL PLATED
PIN CONTACTS - COPPER ALLOY, SILVER PLATED
LATCH BUTTON - RIGID THERMOPLASTIC, BLACK
PIN INSULATOR - RIGID THERMOPLASTIC, DARK BROWN
LATCH SPRING - COPPER ALLOY, NICKEL PLATED
CABLE CLAMP - STEEL, TIN PLATED
BUTTON SEAL BOOT - THERMOPLASTIC RUBBER, BLACK
INSERT MOLDED HANDLE - THERMOPLASTIC RUBBER OVER RIGID THERMOPLASTIC, BLACK

2. THIS PRODUCT IS RoHS COMPLIANT.

					THIS DRAWING DESCRIBES A DESIGN CONSIDERED PROPRIETARY IN NATURE, DEVELOPED AND MANUFACTURED BY SWITCHCRAFT INC. AND IS RELEASED ON A CONFIDENTIAL BASIS FOR IDENTIFICATION PURPOSES ONLY.					
					SIZE	WIDTH	MULT	LBS/M	TEMPER	
					UNLESS OTHERWISE SPECIFIED				MATERIAL SPEC No.	
					1. ALL DIMENSIONS IN INCHES [mm]					
					- TWO PLACE DECIMALS ±0.02 [0.5]					
					- THREE PLACE DECIMALS ±0.005 [0.13]				SHEET 1 OF 1	
B	27629	12-18-15	TO	TJK	DATE DRAWN				PART No.	
A	27552	8-14-15	TO	TJK	1/29/13	AB	CHKD AB	APVD TJK	TA_FS SERIES	
REV	ECO NUMBER	DATE	BY	APVD	NAME				REV	
REVISIONS					DO NOT SCALE DRAWING				B	
					SEALD TINI Q-G FEMALE, ROHS					