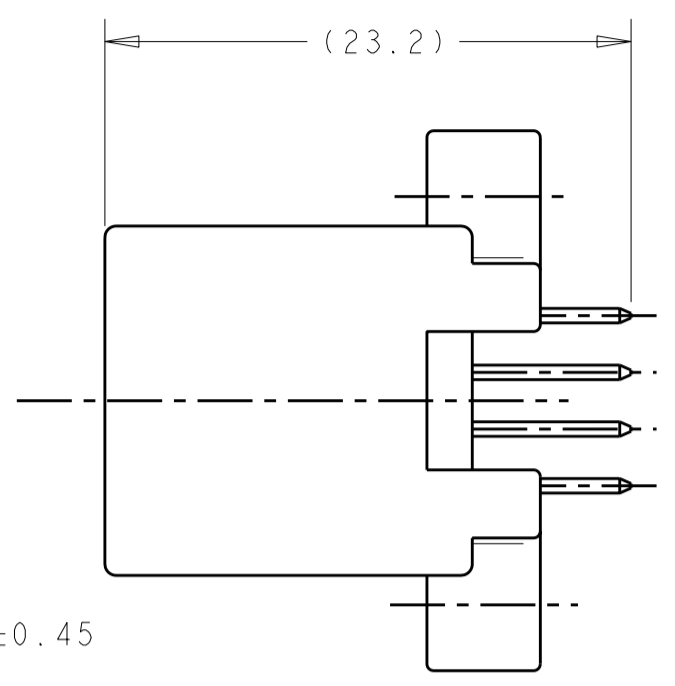
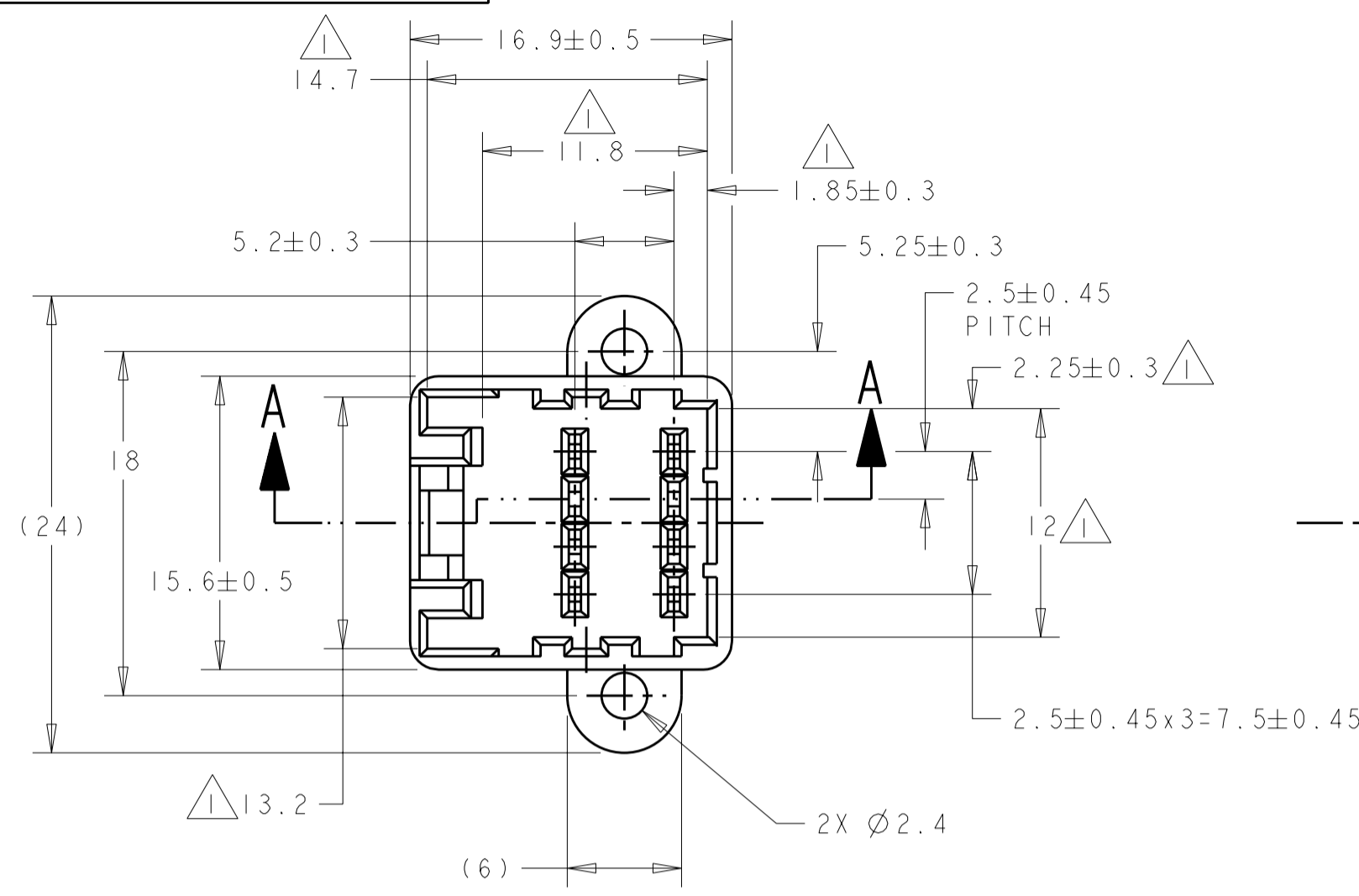
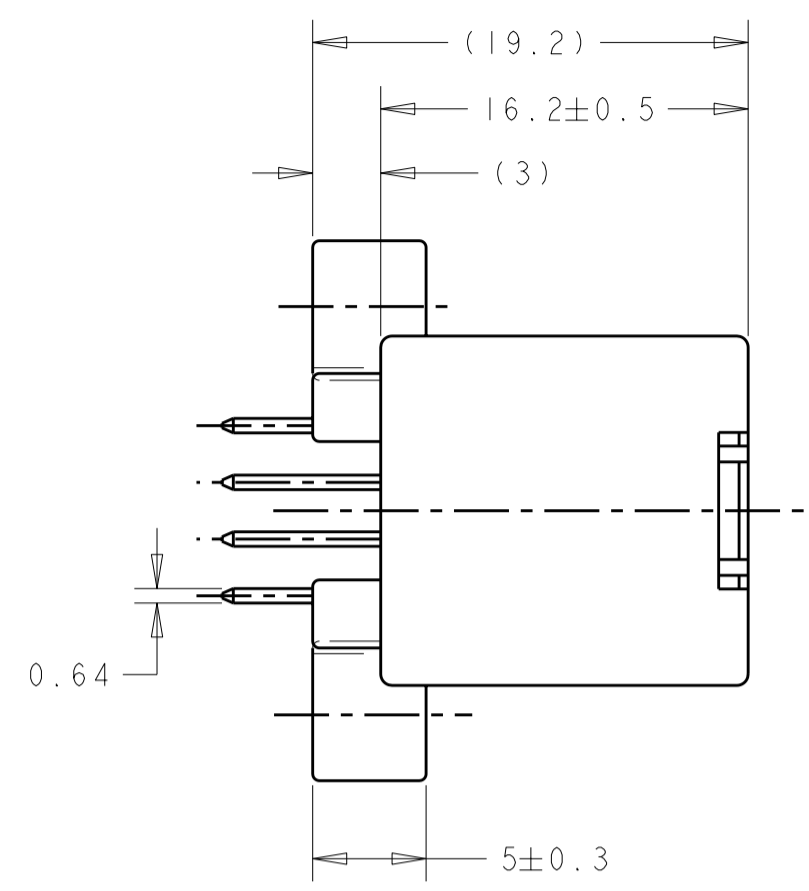
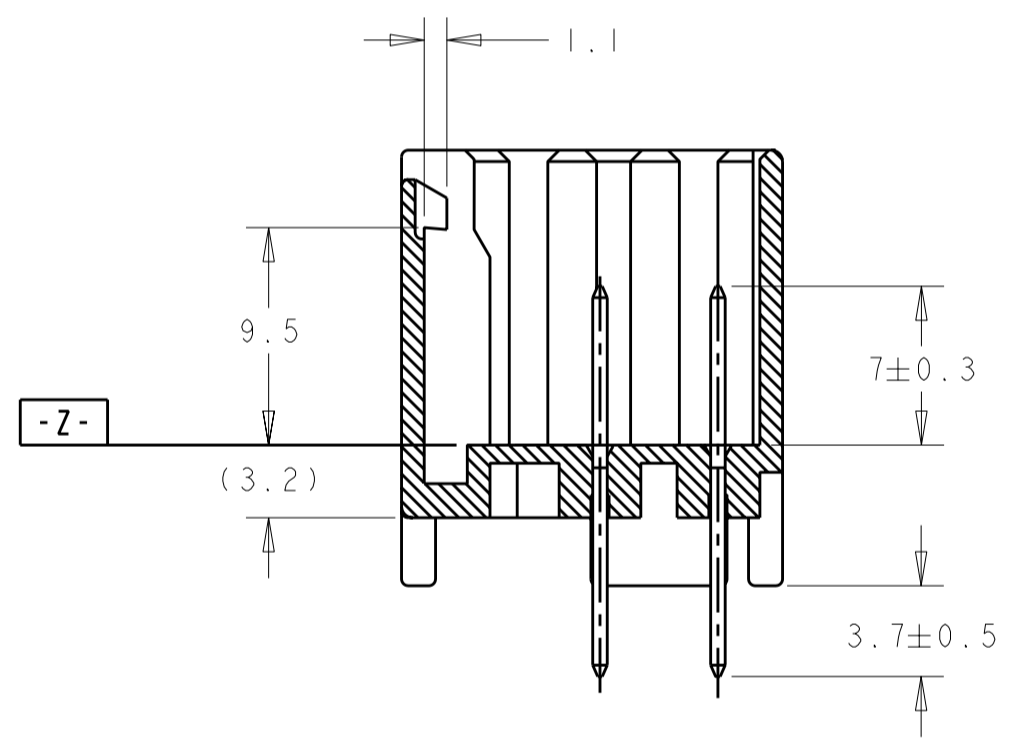


THIS DRAWING IS UNPUBLISHED. RELEASED FOR PUBLICATION 20
 © COPYRIGHT 20 BY TYCO ELECTRONICS CORPORATION. ALL INTERNATIONAL RIGHTS RESERVED.

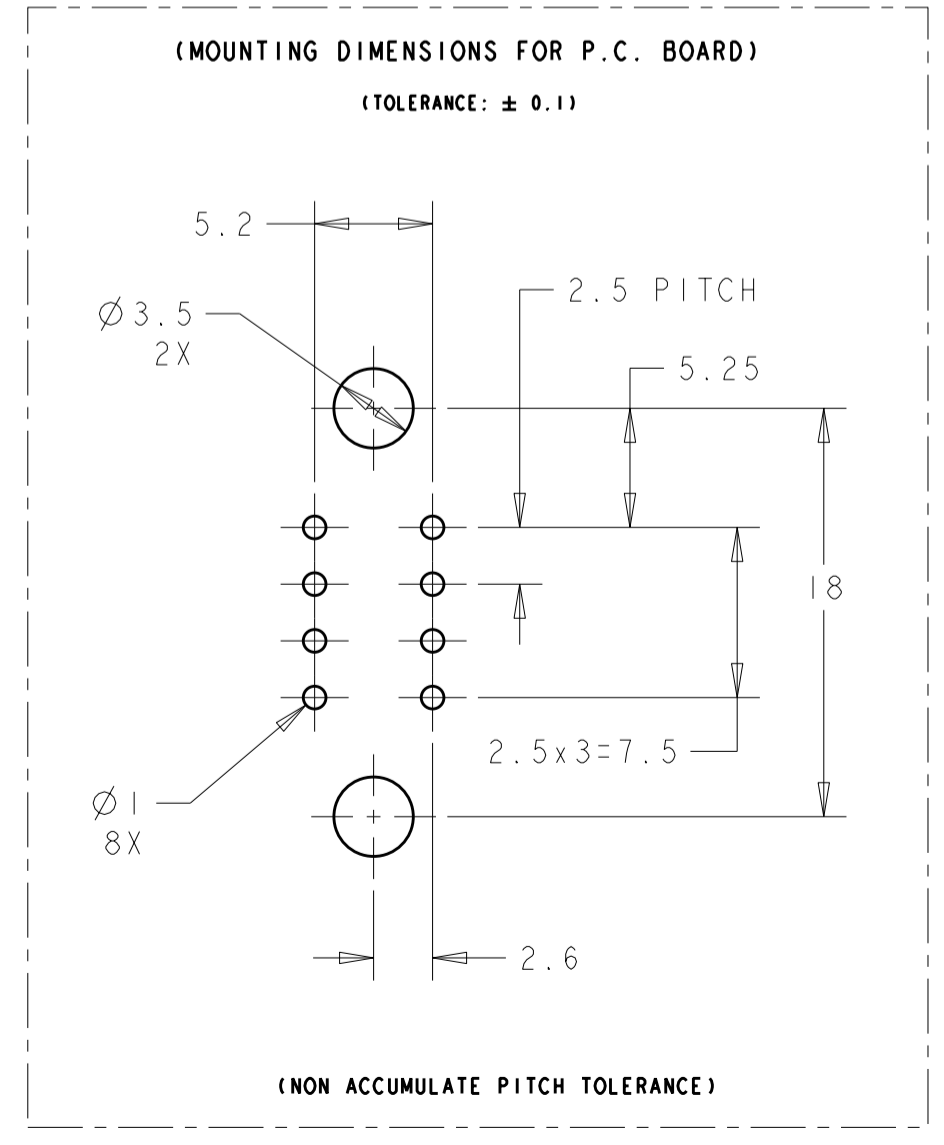
LOC	DIST	REVISIONS			
P	LTR	DESCRIPTION	DATE	DWN	APVD
FX	00	A	RELEASED PER ECO-09-027351	11DEC2009	DD SA



- △ TO BE MEASURED BETWEEN 2mm FROM -Z-
- 2. APPLICABLE P.C. BOARD THICKNESS: 1.6mm
- 3. THE MATING COUNTERPART NUMBER: 174044
- 4. RECOMMENDED MOUNTING SCREW: 3mm DIA, 6mm LENGTH TAPPING SCREW SPECIFIED IN JIS B1115, B1122. (TIGHTENING TORQUE: 0.8Nm MAX)



SECTION A-A



BRASS	POST TIN	PCT	BLACK	2098401-2
MATERIAL	FINISH	MATERIAL	COLOR	PART NUMBER
CONTACT		HOUSING		

THIS DRAWING IS A CONTROLLED DOCUMENT FOR TYCO ELECTRONICS CORPORATION. IT IS SUBJECT TO CHANGE AND THE CONTROLLING ENGINEERING ORGANIZATION SHOULD BE CONTACTED FOR THE LATEST REVISION.		DWN	27MAY2009	Tyco Electronics Harrisburg, PA 17105-3608
DIMENSIONS: mm		CHK	27MAY2009	
TOLERANCES UNLESS OTHERWISE SPECIFIED:		APVD	27MAY2009	
0 PLC ±0.25 1 PLC ±0.25 2 PLC ±0.20 3 PLC ± 4 PLC ± ANGLES ±3° FINISH		PRODUCT SPEC	108-5244	
SEE TABLE		APPLICATION SPEC		NAME
MATERIAL		WEIGHT		CAP HOUSING ASSEMBLY, 8 POSITION, 040 SERIES MULTILOCK I/O CONNECTOR, (VERTICAL TYPE) HIGH TEMP
SEE TABLE		3.7 g		SIZE
CUSTOMER DRAWING		SCALE 3:1		CAGE CODE
		SHEET 1 OF 1		DRAWING NO
		REV A		RESTRICTED TO