

6

5

4

3

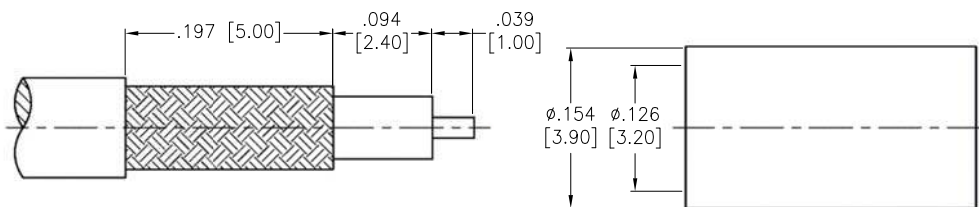
2

1

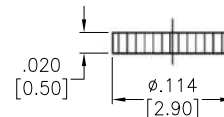
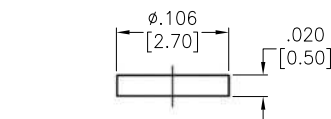
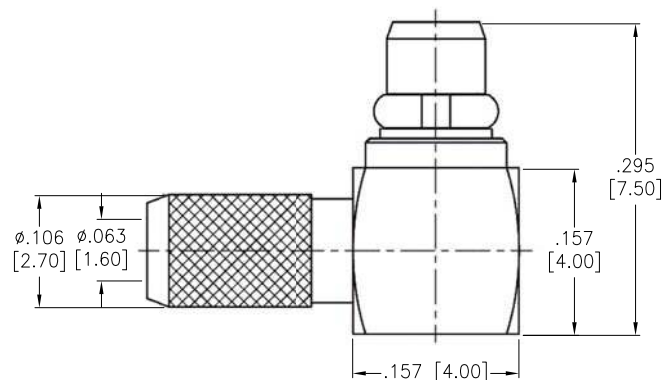
APPROVED: _____

DATE: _____ TITLE: _____

| Rev | AWO # | Description | Date | Appr |
|-----|-------|-------------|---------|------|
| - | | RELEASED | 10/2/15 | |



RECOMMENDED
CABLE STRIPPING DIM'S



| | | |
|-------------|------------------|---------|
| FERRULE | BRASS | GOLD |
| COVER | BRASS | GOLD |
| INSULATOR | POM | NATURAL |
| CONTACT PIN | BRASS | GOLD |
| RING | BERYLLIUM COPPER | GOLD |
| BODY | BRASS | GOLD |
| INSULATOR | PTFE | WHITE |
| BARREL | BRASS | GOLD |
| DESCRIPTION | MATERIAL | FINISH |

SPECIFICATIONS:

Electrical:

Frequency Range: DC-6 GHz
 Normal Impedance: 50 ohm
 Operating voltage: 170 VOLTS max.
 Proof voltage: 500 VOLTS
 VSWR: 1.3 max. @ 3 GHz

Temperature Rating:

Operating temperature: -55°C to +155°C

Environmental:

Lead free, RoHS compliant.



UNLESS OTHERWISE SPECIFIED
 ALL DIMENSIONS ARE INCHES [MM]
 TOLERANCES: EXCEPT AS NOTED
 INCHES HOLES
 .X ± .10 Ø.X ± .10
 .XX ± .020 Ø.XX ± .015
 .XXX ± .015 Ø.XXX ± .010

ADAM TECH

909 Rahway Avenue, Union, NJ 07083
 Phone: 908-687-5000 Fax: 908-687-5710

TITLE: RF CONNECTOR, TYPE MMCX, PLUG, R/A
 50 OHM, RG-174/U, 316/U, LMR-100

| APPROVALS | | DATE |
|-----------|----|---------|
| DRAWN | AY | 10/2/15 |
| CHECKED | TW | 10/2/15 |
| APPROVED | | |

| | | |
|--------------|--------------------------------|--------------|
| SIZE X | PART NO. RF12-08B-T-02-50-G | REV. - |
| REF: S00277T | SCALE: NTS | SHEET 1 OF 1 |

6

5

4

3

2

1