

RC-12P1N128006 - Cable connector



1596969

<https://www.phoenixcontact.com/us/products/1596969>

Please be informed that the data shown in this PDF document is generated from our online catalog. Please find the complete data in the user documentation. Our general terms of use for downloads are valid.



M23, Cable connector, straight, shielded: no, Screw locking mechanism, No. of pos.: 12, Direction of rotation: Standard, contact connection type: Pin, Solder cup, cable diameter range: 7.5 mm ... 9.5 mm, coding: N, Alternative product in accordance with RoHS II without Exemption 6c (Pb <0.1%) item no.: 1240775

Commercial data

Item number	1596969
Packing unit	1 pc
Minimum order quantity	1 pc
Note	Made to order (non-returnable)
Sales key	AB31
Product key	ABRAFA
GTIN	4046356213684
Weight per piece (including packing)	77.725 g
Weight per piece (excluding packing)	77.725 g
Customs tariff number	85366990
Country of origin	DE

RC-12P1N128006 - Cable connector



1596969

<https://www.phoenixcontact.com/us/products/1596969>

Technical data

Product properties

Product type	Circular connector (cable-side)
--------------	---------------------------------

Connector

Insulating body

Coding	N
Insertion/withdrawal cycles	100
Connection method	Solder cup
Contact switching type	Pin
Application	Signal
Number of positions	12
Direction of rotation	Standard
Connection profile	12
Contact diameter Power contacts	1 mm
Litz wire cross-section Power contacts min.	0.08 mm ²
Litz wire cross-section Power contacts max.	1 mm ²
Rated current Power contacts	8 A
Rated voltage	48 V AC 74 V DC
Rated surge voltage	1.5 kV
Overvoltage category	III
Degree of pollution	3

Housing

Order information:	Order contact inserts separately
Housing material	Metal
Type of locking	Screw locking mechanism
Pg screw connection	none
Degree of protection (plugged in)	IP65 IP67 IP68
Thread type	M23

Seal

External cable diameter	7.5 mm ... 9.5 mm
-------------------------	-------------------

RC-12P1N128006 - Cable connector

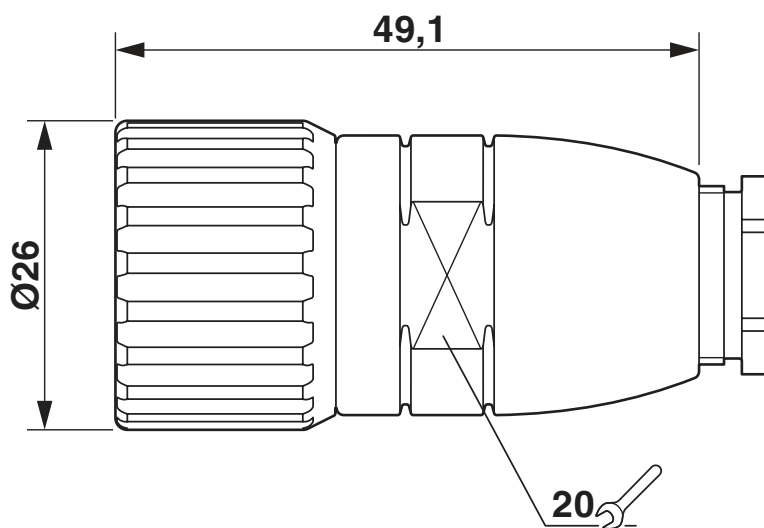
1596969

<https://www.phoenixcontact.com/us/products/1596969>



Drawings

Dimensional drawing



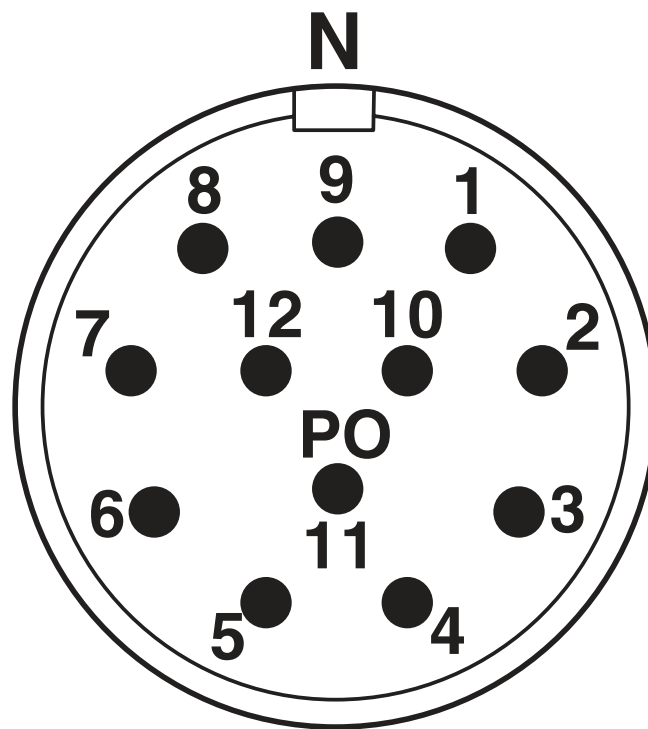
RC-12P1N128006 - Cable connector



1596969

<https://www.phoenixcontact.com/us/products/1596969>

Schematic diagram



RC-12P1N128006 - Cable connector



1596969

<https://www.phoenixcontact.com/us/products/1596969>

Classifications

ECLASS

ECLASS-11.0	27440102
ECLASS-12.0	27440116
ECLASS-13.0	27440116

ETIM

ETIM 8.0	EC002635
----------	----------

UNSPSC

UNSPSC 21.0	39121400
-------------	----------

RC-12P1N128006 - Cable connector



1596969

<https://www.phoenixcontact.com/us/products/1596969>

Environmental product compliance

REACH SVHC	Lead 7439-92-1
China RoHS	Environmentally Friendly Use Period = 50 years
	For information on hazardous substances, refer to the manufacturer's declaration available under "Downloads"

Phoenix Contact 2023 © - all rights reserved

<https://www.phoenixcontact.com>

Phoenix Contact USA
586 Fulling Mill Road
Middletown, PA 17057, United States
(+717) 944-1300
info@phoenixcon.com