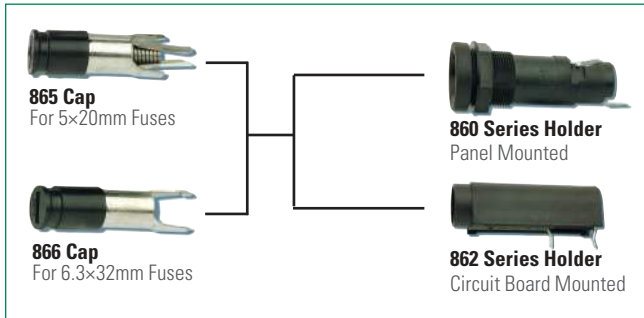


860/862 Series Enclosed Fuseholders for 5x20mm and 6.2x32mm Fuses



Agency Approval

Agency	Agency File Number	
	860 Series	862 Series
	40048042	N/A
	E70164	E70164

Additional Information



**Datasheet
860 Series**



**Datasheet
862 Series**



**Resources
860 Series**



**Resources
862 Series**



**Samples
860 Series**



**Samples
862 Series**

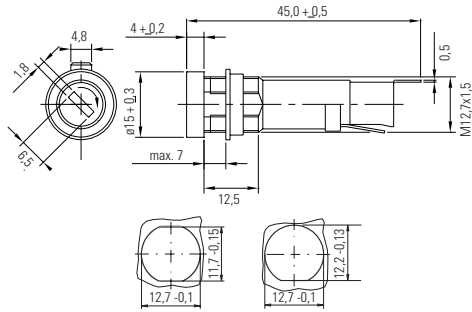
Product Characteristics

	860 Series	862 Series
Compatible Fuses	5x20mm 6.3x32mm (3AB/3AG)	
Materials	Holder/Cap: Black Thermoplastic, UL 94V0	
	Metal Parts: Copper alloy, corrosion protected	
	Terminals: Solderable tinned	
Electrical Data (23°C)	Rated Voltage: 250V	
	Rated Current: 10A (VDE) 16A (CSA) 20A (UL)	Rated Current: 10A 16A (UL/CSA)
	Rated Power: 4.0W (VDE)	Rated Power: 862/865: 2.5W 862/866: 3.2W
Mounting	12.7mm diameter D-hole or double D-hole Admissible torque on plastic hex nut is 1.2Nm	(2) Solder pins 0.5mmx1.1mm and plastic stud Pins are kicked for optimal soldering
Terminals	Solderable or 4.8mm quick connect-fits 0.5mm tab	Solderable tinned
Protection Class & Category	IP 40 (IEC 60529) PC2 (IEC 60127-6)	IP 40 (IEC 60529) PC2 (IEC 60127-6)
Operating Temperature*	-40°C to +85°C	
Climatic Test	-40°C/+85°C/21 days (IEC 60068-2-1...3)	
Stock Conditions	+10°C to +60°C relative humidity ≤ 75% yearly average, without dew, maximum value for 30 days - 95%	
Vibration Resistance	24 cycles at 15 min. each (IEC 60068-2-6) 10 - 60Hz at 0.75mm amplitude 60 - 500Hz at 10g acceleration	
Contact Resistance	≤ 5mΩ	
Impulse Voltage	4 kV, 50Hz, 1 min., dry	
Insulation Resistance	> 10 ³ MΩ (500VDC, 1 min.)	
Solderability	235°C, 2 sec. (Wave) 350°C, 1 sec. (Soldering Iron)	
Soldering Heat Resistance	350°C, 5 sec. (IEC 60068-2-20)	
Minimum Cross Section	Conductor - 2.5mm ²	Conducting path - 0.2mm ²
Marking	860, 250V, Approvals	862, 250V, Approvals
Unit Weight	5.3g (860) / 5.6g (862) / 3.3g (865) / 2.5g (866)	

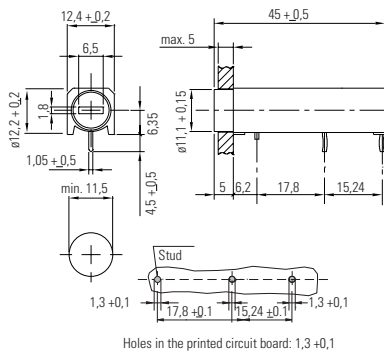
* - Refer to [Fuseology](#) for information on proper fuseholder re-rating.

Dimensions

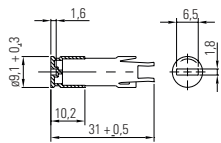
860 Series



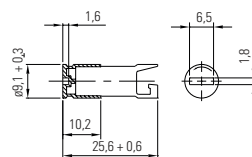
862 Series



865 Series



866 Series



Ordering Information

Description	Ordering Number	Packaging
860 Series Holder	86000001009	Bulk 100
862 Series Holder	86200001009	Bulk 100
865 Series Knob	86500001009	Bulk 100
866 Series Knob	86600001009	Bulk 100