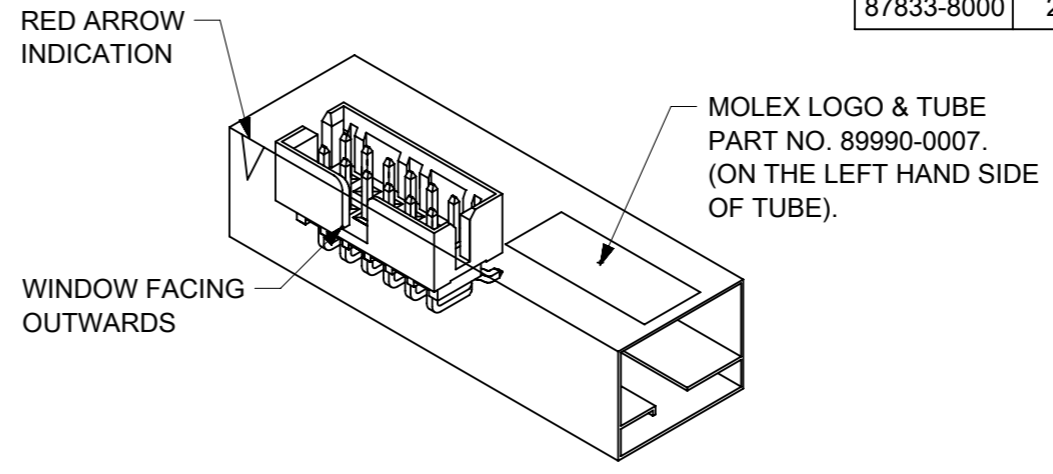
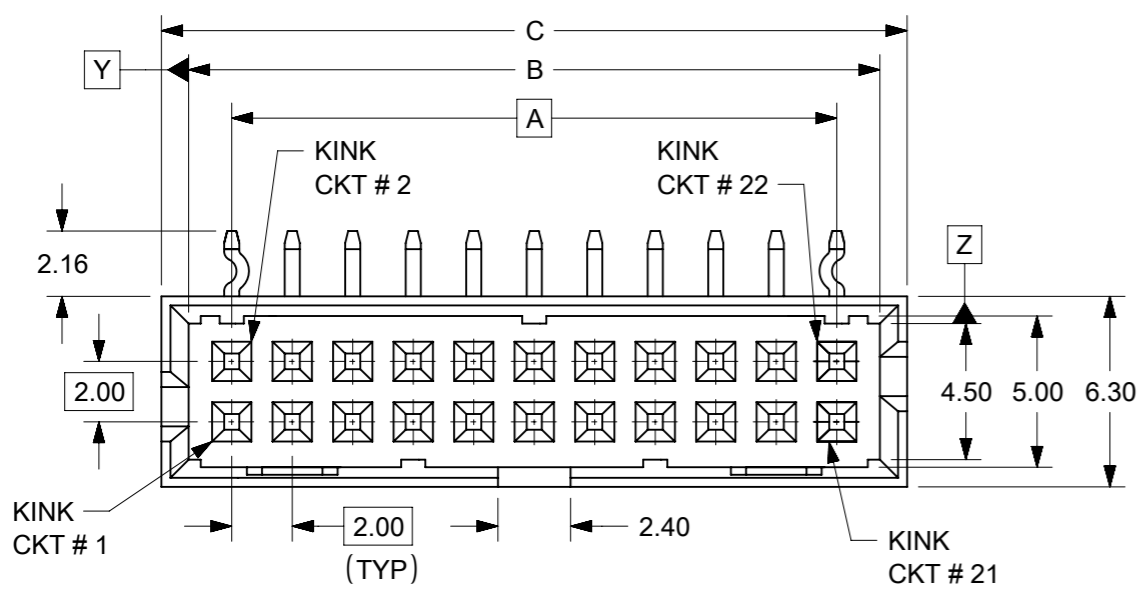
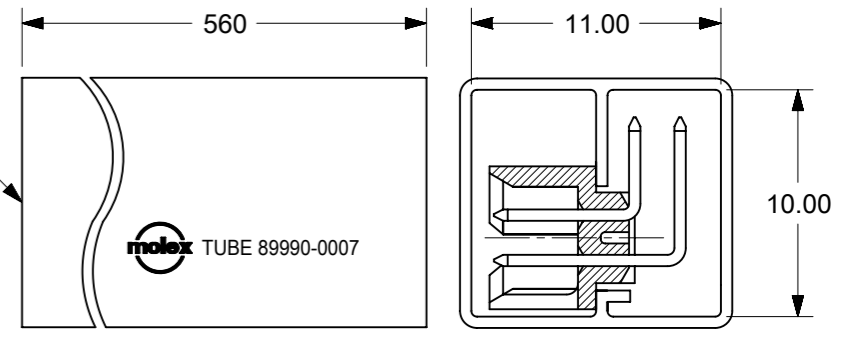


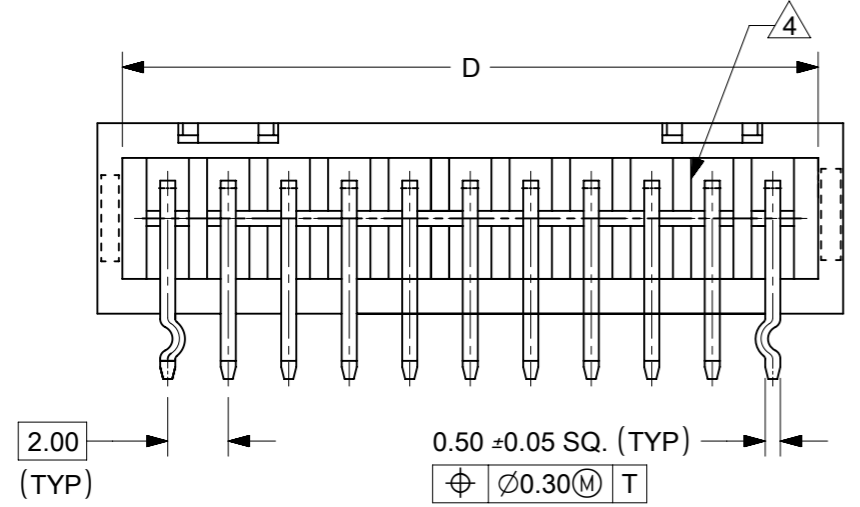
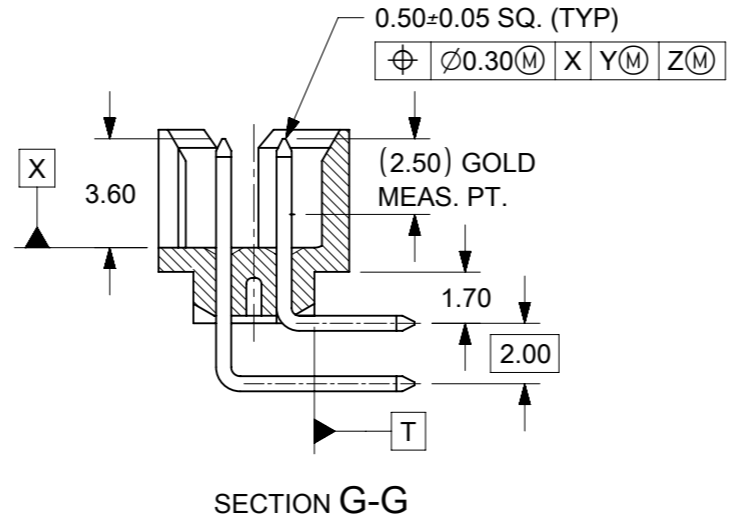
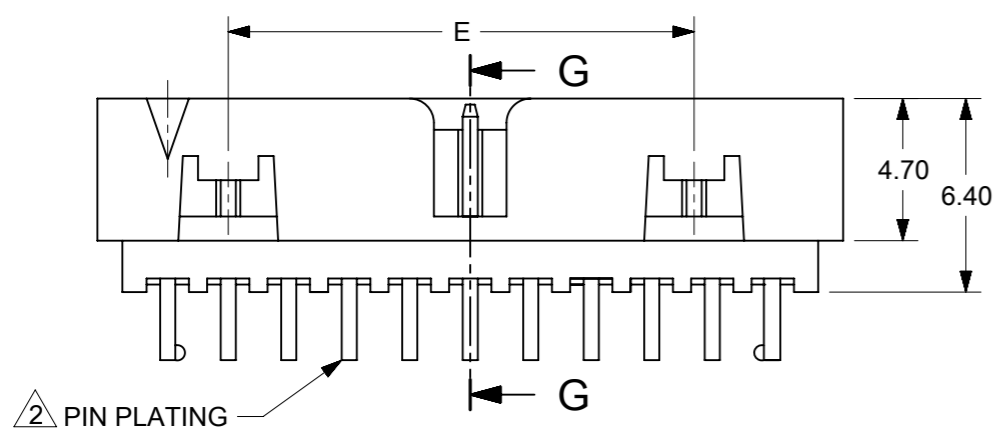
PART NO.	CKT SIZE	KINK CKT	DIMENSION				
			A	B	C	D	E
87833-8000	22	1, 2, 21 & 22	20.00	22.85	24.65	23.00	16.00



REF: ORIENTATION OF PART IN TUBE.
(FOR THE REFERENCE OF PART/TUBE ASSEMBLY.)

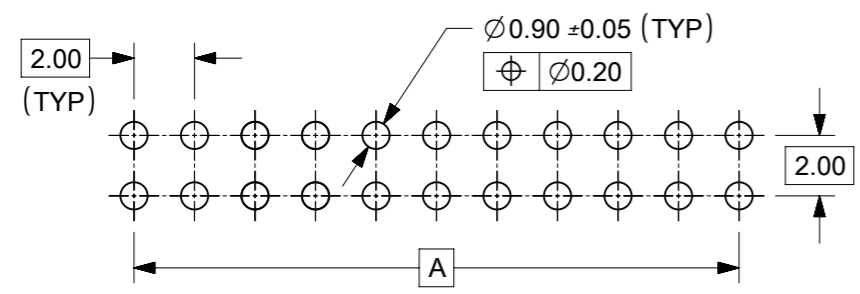
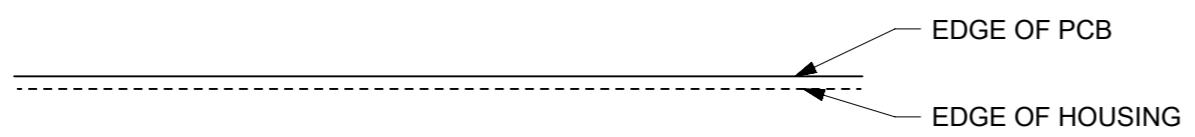


REF: ORIENTATION OF PART IN TUBE.



NOTES:

- MATERIAL :
HOUSING : 30% G.F., NYLON 46, UL94V-0, COLOR BLACK.
PIN : 0.50mm SQ. PHOSPHOR BRONZE.
- PLATING :
0.38µm/15µin GOLD IN CONTACT AREA AND 1.88µm/75µin MIN. TIN IN SOLDER TAIL AREA OVER 1.27µm/50µin MIN. NICKEL OVERALL.
- PRODUCT SPECIFICATION PS-87831-027 APPLIES.
- LINKWAYS VARIES FROM PART TO PART BECAUSE OF DIFFERENT MOLD.
- RECOMMENDED PCB THICKNESS : 1.60±0.10mm.
- PARTS ARE TO BE PACKED IN TUBE WITH MOISTURE BARRIER BAG.
- THIS HEADER MATES WITH MOLEX:
a) CRIMP RECEPTACLE HOUSING, 51110 SERIES
WITH CRIMP TERMINAL, 50394 SERIES.
b) 2mm MILLIGRID DUAL ROW IDT, 87568 SERIES.



RECOMMENDED PCB PATTERN

SYMBOLS	THIS DRAWING CONTAINS INFORMATION THAT IS PROPRIETARY TO MOLEX ELECTRONIC TECHNOLOGIES, LLC AND SHOULD NOT BE USED WITHOUT WRITTEN PERMISSION		CURRENT REV DESC: SEE ECM 170067 FOR REFERENCE			
	DIMENSION UNITS	SCALE				
▽ = 0	MM	1:1	EC NO: 611028		MGRID, R/A SHROUDED HDR	
▽ = 0	GENERAL TOLERANCES (UNLESS SPECIFIED)		DRWN: ME 2019/01/17		W/SLOT/STANDOFF AND KINKED SOLDER TAIL	
▽ = 0	4 PLACES ±	±	CHK'D: MKAMATHMARAK 2019/01/25		PRODUCT CUSTOMER DRAWING	
▽ = 0	3 PLACES ±	±	APPR: ME 2019/01/28		DOCUMENT NUMBER	
▽ = 0	2 PLACES ±	0.2 ±	INITIAL REVISION:		SD-87833-017	
▽ = 0	1 PLACE ±	±	DRWN: ATSEE 2003/10/27		DOC TYPE DOC PART REVISION	
▽ = 0	0 PLACES ±	±	APPR: SKTOH 2003/11/07		PSD 001 A4	
⊠ = 0	ANGULAR TOL ± 3.0°		DRAFT WHERE APPLICABLE MUST REMAIN WITHIN DIMENSIONS		MATERIAL NUMBER	
⊠ = 0			THIRD ANGLE PROJECTION		CUSTOMER	
▽ = 0			DRAWING SERIES		SEE TABLE GENERAL MARKET	
			A3-SIZE 87833		SHEET NUMBER	
					1 OF 1	