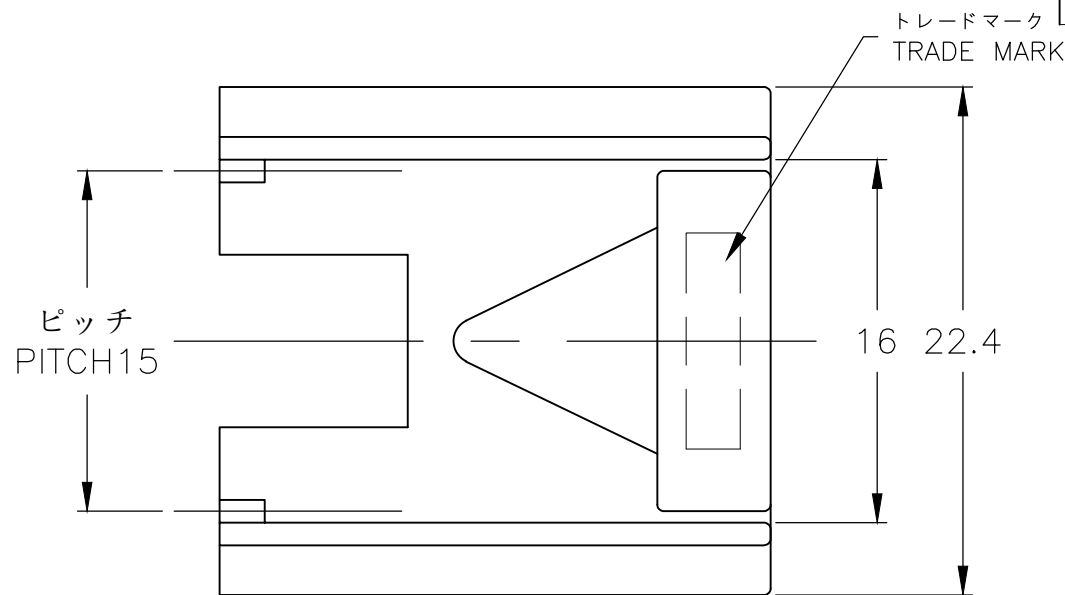


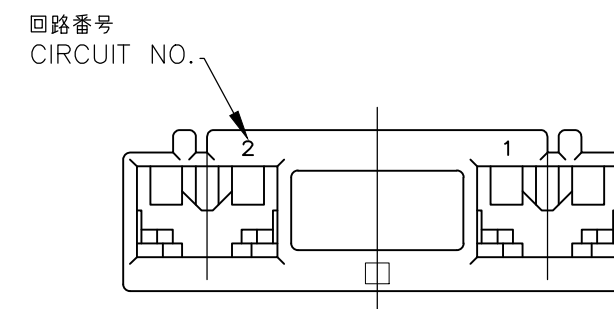
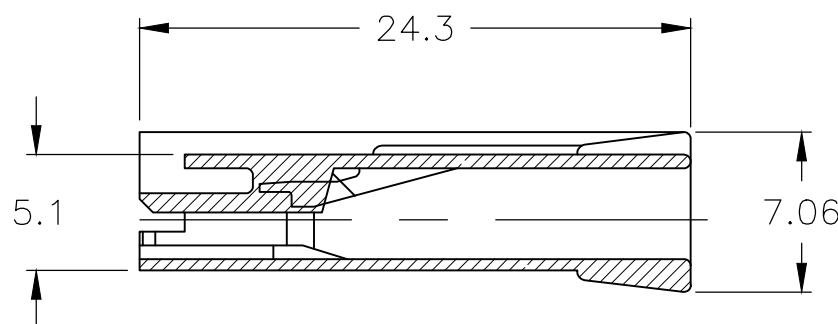
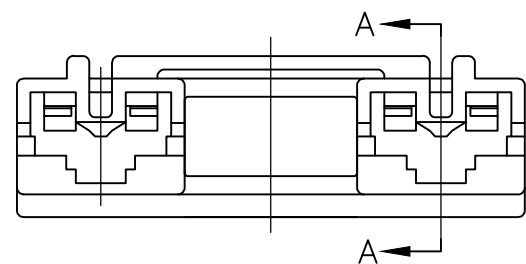
THIS DRAWING IS UNPUBLISHED. RELEASED FOR PUBLICATION
 © COPYRIGHT - By - ALL RIGHTS RESERVED.

REVISIONS
 変更

P	LTR	DESCRIPTION	DATE	DWN	APVD
	B1	REVISED PER ECR-18-011401	24JUL2018	BDA	DS

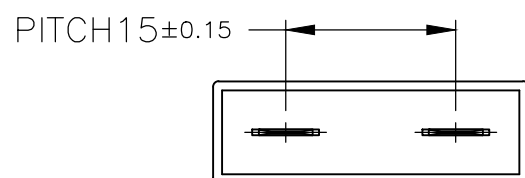
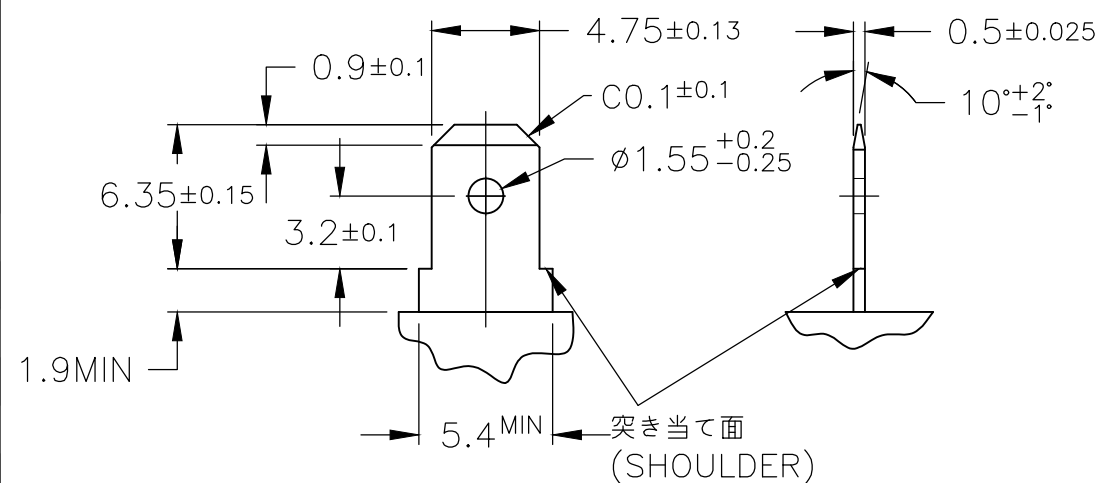


NOTES
 1. APPLICABLE CONTACT PART NUMBER : 170324-X, 170325-X, 170326-X
 △ BLUE PARTS MAY APPEAR MEDIUM BLUE TO LIGHT BLUE TO LIGHT GRAY IN COLOR AND MAY ALSO EXHIBIT A MARBLING EFFECT



断面 A-A

タブ推奨図
RECOMMENDED TAB



SUPERSEDED BY 2-176498-6

66NYLON UL94V-0 Natural	BLUE	2-176498-6
66NYLON (UL94V-0)	△ BLUE	-1-176498-6-
66NYLON (UL94V-2)	黄色 (YELLOW)	3-176498-4
66NYLON (UL94V-0)	青色 (BLUE)	176498-6
	黄色 (YELLOW)	176498-4
	黒色 (BLACK)	176498-2
	自然色 (NATURAL)	176498-1
材料 (MATERIAL)	色調 (COLOR)	型番(PART NUMBER)

THIS DRAWING IS A CONTROLLED DOCUMENT.		DWN J.SATO	07SEP2007	STE TE Connectivity Ltd.	
DIMENSIONS: 単位: 耗 mm		CHK S.MANABE	07SEP2007		
TOLERANCES UNLESS OTHERWISE SPECIFIED: 一般公差		APVD S.MANABE	07SEP2007	NAME 名称	
0 PLC ±		PRODUCT SPEC 製品規格		187 SERIES POSITIVE LOCK MK-II	
1 PLC 10以下 ± 0.2		APPLICATION SPEC 取付適用規格		2P REC HSG	
20 20以下 ± 0.25		108-5126		SIZE	
30 30以下 ± 0.3		WEIGHT		CAGE CODE	
4 PLC ANGLES ± 3°		CUSTOMER DRAWING		DRAWING NO 番号	
FINISH 仕上		A3		00779	
MATERIAL 材料 SEE TABLE		G-176498		RESTRICTED TO	
		SCALE 尺度 3:1		SHEET 1 OF 1	
				REV B1	