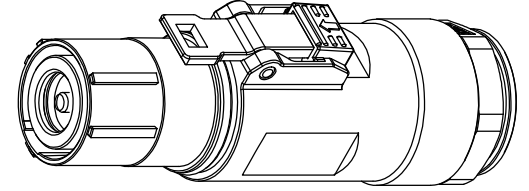


Customer Drawing

REVISIONS						
REV	ZONE	ECO	DESCRIPTION	DATE	BY	APPR
B	--	-	修改线缆OD错误	7/06/18	ST	JL
C	--	-	Add Rating Current	10/31/18	ST	JL
D	--	-	Add Model No	02/25/19	ST	JL

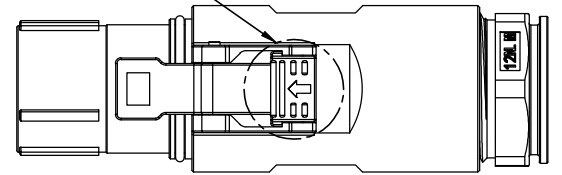


订购信息 Ordering Information

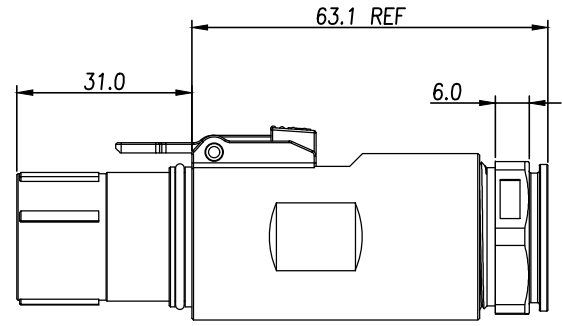
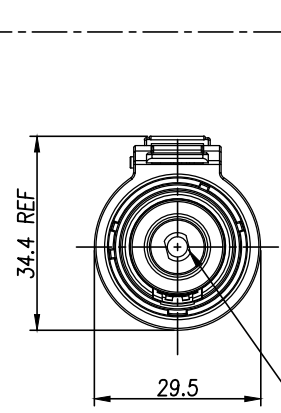
PL18 X - 30 1 - 70 - 5

键位及颜色 Key & Color	高压互锁 HVIL	线缆大小 Cable Size
"X", 橙色 Orange	0, 不带互锁 No HVIL	"70"=70mm <sup>2</sup>
"Y", 黑色 Black	1, 带互锁 With HVIL	"50"=50mm <sup>2</sup>
"U", 黄色 Yellow		"35"=35mm <sup>2</sup>
"V", 绿色 Green		
"W", 红色 Red		
"T", 蓝色 Blue		

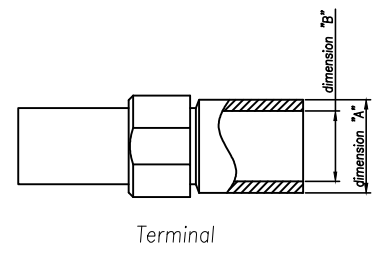
按键颜色见“订购信息”  
The color of press key see "Ordering Information"



Model NO.	overall-diameter nominal (mm)	Dia Primary Insulation (mm)	outside-diameter of terminal (mm): "A"	inside-diameter of terminal (mm): "B"
PL18X-30()-35-5	12.7±0.3	9.7±0.3	11.8±0.3	8.8±0.3
PL18Y-30()-35-5				
PL18U-30()-35-5				
PL18V-30()-35-5				
PL18W-30()-35-5				
PL18T-30()-35-5	14.9±0.3	11.5±0.3	14.5±0.3	10.3±0.3
PL18X-30()-50-5				
PL18Y-30()-50-5				
PL18U-30()-50-5				
PL18V-30()-50-5				
PL18W-30()-50-5	17.0±0.3	13.7±0.3	16.5±0.3	12.5±0.3
PL18T-30()-50-5				
PL18X-30()-70-5				
PL18Y-30()-70-5				
PL18U-30()-70-5				
PL18V-30()-70-5				
PL18W-30()-70-5				
PL18T-30()-70-5				



防触摸塑料盖  
Touch Proof Pin



规格参数 (Spec.):

1. 工作温度 Operating temperature: -40° C~+125° C.
2. 额定电流 Current rating (Connector Only): 35mm<sup>2</sup>-150A, 50mm<sup>2</sup>-200A, 70mm<sup>2</sup>-250 A.
3. 额定电压 Operating voltage: 1000 VDC.
4. 耐电压 Dielectric withstanding voltage: 5000 VDC.
5. 防护等级 Protection class: IP67 & IP2X.
6. 电磁屏蔽 Shielding.
7. 机械寿命 Mating cycle: 100 Min.
8. 带自动二次锁扣 Automatic secondary lock.
9. 带高压互锁 Electrical interlock (HVIL).
10. 配对插座 Mating receptacle: See drawing "PL00-300"

	Amphenol Technical Products International GZ				PART NAME: PowerLok 10mm IPOS Plug Assy	
	第三角投影 THIRD ANGLE PROJECTION	页面 SHEET	幅面 SIZE	版次 REV.	比例 SCALE	DWG NO: PL18()-30()-()-5
	1 of 1	A3	D			CUST PART #: N/A
签名 SIGNATURE Steven		日期 DATE 02/25/19		UNLESS OTHERWISE SPECIFIED 1) All dimensions are in metric (mm). 2) Tolerances are as follows: 0 PL DEC ±1.00 1 PL DEC ±0.50 2 PL DEC ±0.20		CUST REV. -
制图 DRAWN		审核 CHECKED		批准 APPROVAL		Angles ±1°

THIS DRAWING IS SUPPLIED FOR INFORMATION ONLY. DESIGN FEATURES, SPECIFICATIONS AND PERFORMANCE DATA SHOWN HEREON ARE THE PROPERTY OF THE AMPHENOL CORPORATION. NO RIGHTS OF REPRODUCTION ARE IMPLIED. ALL DIMENSIONS ARE SUBJECT TO NORMAL MANUFACTURING VARIATIONS.