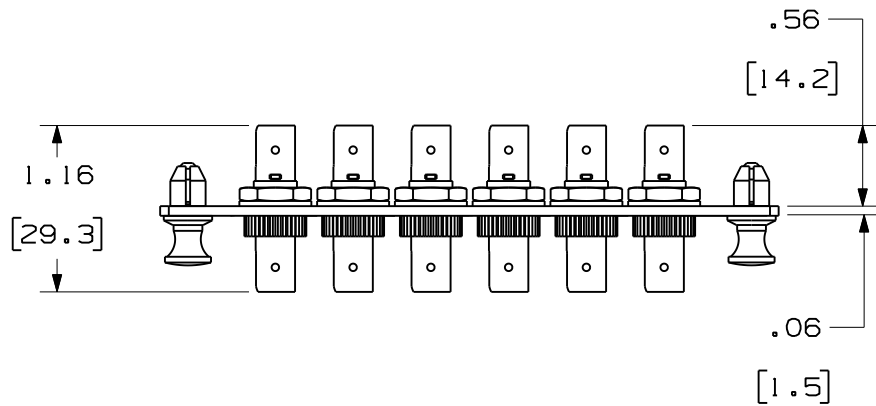
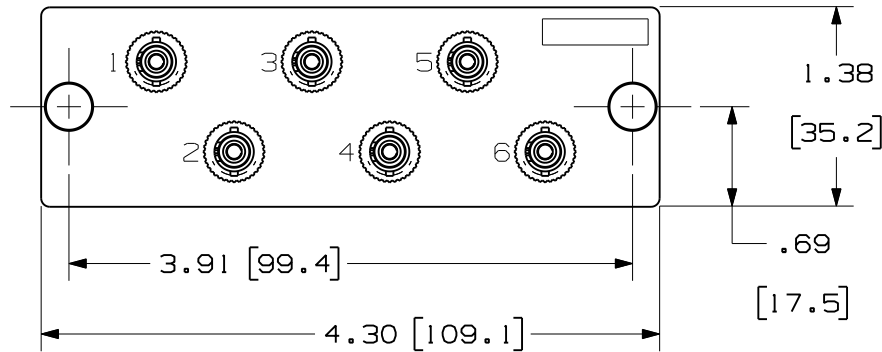


THIS COPY IS PROVIDED ON A RESTRICTED BASIS AND IS NOT TO BE USED IN ANY WAY DETRIMENTAL TO THE INTERESTS OF PANDUIT CORP.



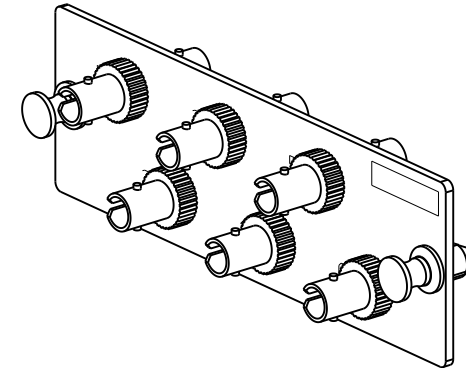
DUST CAPS NOT SHOWN FOR CLARITY



PANDUIT P/N	DUST CAP COLOR	SPLIT SLEEVE TYPE
FAP6WST	YELLOW	PHOS BRONZE
FAP6WSTZ	RED	ZIRCONIA

NOTES:

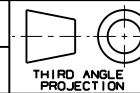
- SEE CURRENT CATALOG FOR PART NUMBER SUFFIXES TO INDICATE COLOR AND/OR PACKAGE QUANTITIES.
- SEE CATALOG FOR COMPLETE LIST OF PARTS APPLICABLE FOR USE WITH THIS PRODUCT.
- MATERIALS:
 - PLATE: C.R.S. POWDER COATED
 - ADAPTER: METALLIC BODY
 - SPLIT SLEEVE: SEE TABLE ABOVE
 - ALL MATERIALS AND COMPONENTS USED MEET THE MATERIAL RESTRICTIONS OF RoHS, (EUROPEAN DIRECTIVE 2002/95/EC ON THE RESTRICTION OF HAZARDOUS SUBSTANCES) AS PROPOSED BY THE RoHS TECHNICAL ADAPTATION COMMITTEE.
- DIMENSIONS IN BRACKETS ARE METRIC.



6 POSITION
ST FIBER ADAPTER PANEL
CUSTOMER DRAWING



PANDUIT™
CORP.
TINLEY PARK, ILL 60477



ALL DIMENSIONS ARE GIVEN IN INCHES, UNLESS OTHERWISE SPECIFIED.
DIMENSIONAL TOLERANCES ARE:
(.X) ±.03 (0.8) ANGLES
(.XXX) ±.010 (0.3)

DRAWING FILENAME
MO1945AB_DC/00A

SCALE
NONE

DRAWN BY
MC

REVIEW DRAWING NUMBERS

PART NO.
SEE TABLE

DATE
09-14-10

DRAWING NO.
01945-150

CHK'D
MTV

SIZE
A

REV	DATE	BY	CHK	DESCRIPTION	ECN	R	CUST	SUP	OTH
R	03-31-11	MC	MTV	RELEASED TO PRODUCTION	01945-150	MTV	TCB		