

64SS4

M

1

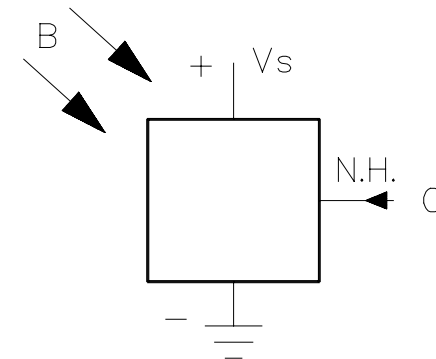
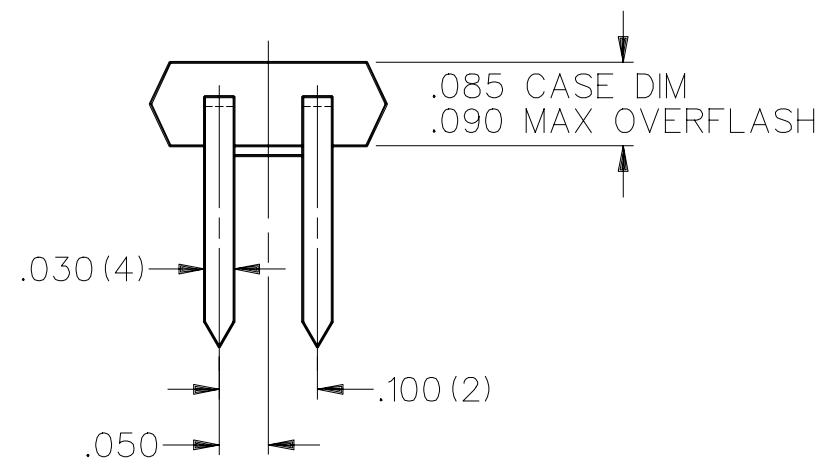
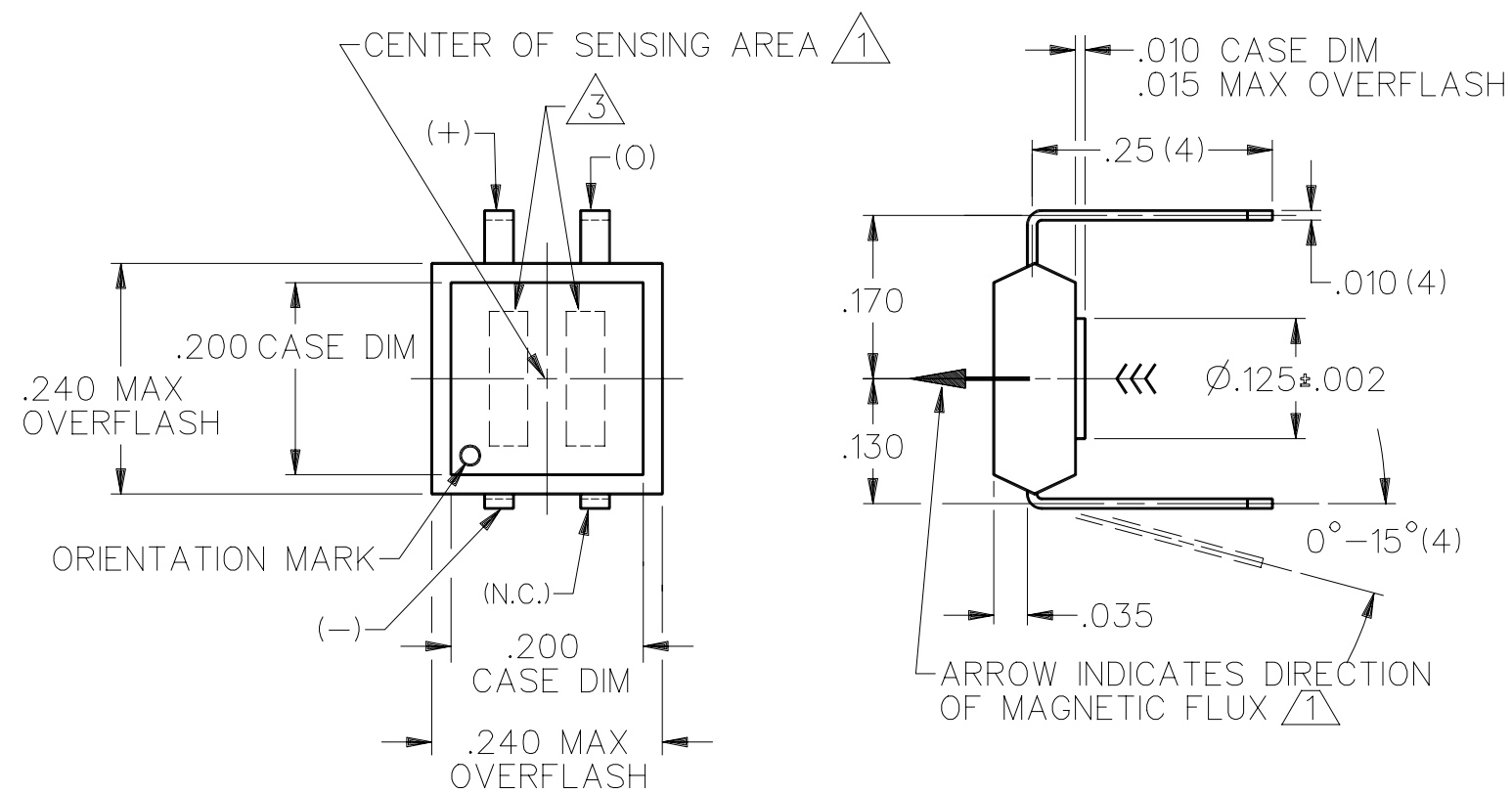
REVISIONS

CHECK

CHECK

D.D.M./C.A.D.
DRAWN
J.A.S. 17DEC90

RELEASE NO. PR-18762 REPLACES X90432-SS



SWITCH SYMBOL

MAGNETIC CHARACTERISTICS $\triangle 2 \triangle 4$

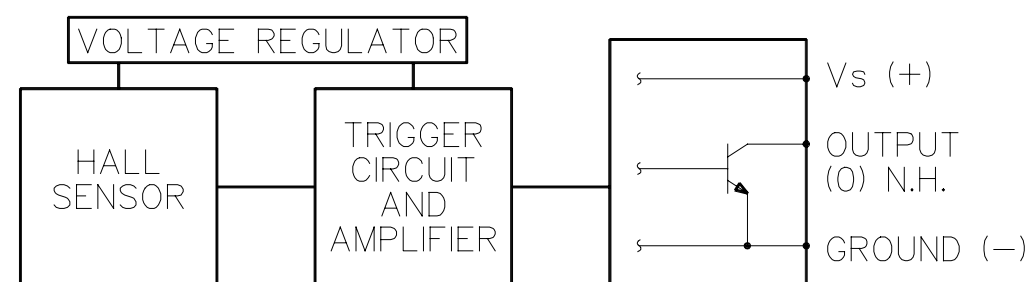
TEMP. RANGE	25°C	-20°C TO 85°C	-40°C TO 125°C
OPERATE MAX	150	220	240
OPERATE MIN	90	---	---
RELEASE MIN	50	50	50
DIFF MIN	10	8	8

ABSOLUTE MAXIMUM RATING

SUPPLY VOLTAGE (V_s) $\triangle 6$	-28 TO +28 VDC
VOLTAGE EXTERNALLY APPLIED TO OUTPUT	+28 VDC MAX WITH SWITCH IN "OFF" CONDITION ONLY -0.5 V WITH SWITCH IN "OFF" OR "ON" CONDITION
LOAD ON OUTPUT	20mA
TEMPERATURE	-40°C TO +150°C
MAGNETIC FLUX	NO LIMIT, THE CIRCUIT CANNOT BE DAMAGED BY MAGNETIC OVERDRIVE

ELECTRICAL CHARACTERISTICS

	MIN	TYP	MAX	REMARKS
SUPPLY CURRENT $\triangle 4$			18mA	PLUS LOAD CURRENT $V_s = 4.5 - 24$ VOLTS $\triangle 4$
OUTPUT VOLTAGE (OPERATED) $\triangle 4$			0.4	SINKING 10mA
OUTPUT LEAKAGE CURRENT (RELEASED) $\triangle 4$			10 μ A	LEAKAGE INTO SWITCH OUTPUT
OUTPUT SWITCHING TIME (SINKING 10mA) $\triangle 4$				
RISE TIME (10% TO 90%)		0.2 μ S	1.5 μ S	10% TO 90%
FALL TIME (90% TO 10%)		0.5 μ S	1.5 μ S	90% TO 10%



BLOCK DIAGRAM SHOWING CURRENT SINKING OUTPUT

NOTES

- $\triangle 1$ TO ACTUATE THE DEVICE, THE SOUTH POLE OF THE MAGNET OR MAGNETIC FLUX GENERATOR MUST BE PRESENTED TO THE CENTER OF THE FRONT SURFACE OF THE DEVICE. (THIS ASSUMES THE CONVENTION THAT THE DIRECTION OF THE EXTERNAL FLUX OF A MAGNET IS FROM THE NORTH TO THE SOUTH POLE OF THE MAGNET)
- $\triangle 2$ THE MAGNETIC FIELD STRENGTH (GAUSS) REQUIRED TO CAUSE THE SWITCH TO CHANGE STATE (OPERATE AND RELEASE) WILL BE AS SPECIFIED IN THE MAGNETIC CHARACTERISTICS. TO TEST THE SWITCH AGAINST THE SPECIFIED MAGNETIC CHARACTERISTICS, THE SWITCH MUST BE PLACED IN A UNIFORM MAGNETIC FIELD
- $\triangle 3$ CATALOG LISTING AND LOT NO. WILL BE STAMPED ON THE PACKAGE
- $\triangle 4$ AT SUPPLY VOLTAGE OF 4.5 TO 24 VDC AND OVER THE TEMPERATURE RANGE SPECIFIED
- $\triangle 5$ AT $24 \pm 2^\circ\text{C}$
- $\triangle 6$ V_s IS THE UNREGULATED SUPPLY VOLTAGE

THIS DRAWING COVERS A PROPRIETARY ITEM AND IS THE PROPERTY OF MICRO SWITCH, A DIVISION OF HONEYWELL. THIS DRAWING IS NOT TO BE COPIED OR USED WITHOUT THE APPROVAL OF MICRO SWITCH.

MICRO SWITCH
a Honeywell Division

**SOLID STATE SWITCH
MAGNETICALLY OPERATED**

CATALOG LISTING
64SS4

FED. MFG. CODE 91929

THIRD ANGLE PROJECTION



SCALE 5 : 1

DO NOT SCALE PRINT

UNLESS OTHERWISE SPECIFIED
TOLERANCES ARE

ONE PLACE	(.0)	$\pm .030$
TWO PLACES	(.00)	$\pm .015$
THREE PLACES	(.000)	$\pm .005$
ANGLES		\pm

WEIGHT