

**VS-DSIV-M12FSD/0,5-RJ45**

Order No.: 1657517

<http://eshop.phoenixcontact.de/phoenix/treeViewClick.do?UID=1657517>

Flush-type connector M12, 4-pos., D-coded, for rear mounting, with Ethernet cable AWG 26 stranded (7-wire) and RJ45 connector, length: 0.5 m

**Ethernet****Product notes**

WEEE/RoHS-compliant since:  
04/24/2006

**Commercial data**

|                          |   |
|--------------------------|---|
| GTIN (EAN)               |  |
| Note                     | Made-to-order   |
| sales group              | D514  |
| Pack                     | 1 pcs.  |
| Customs tariff           | 85444210  |
| Catalog page information | Page 182 (PC-2007)  |

<http://www.download.phoenixcontact.com>  
Please note that the data given here has been taken from the online catalog. For comprehensive information and data, please refer to the user documentation. The General Terms and Conditions of Use apply to Internet downloads.

**Technical data****Mechanical characteristics**

|                             |         |
|-----------------------------|---------|
| Number of positions         | 4       |
| Shielded                    | Yes     |
| Insertion/withdrawal cycles | ≥ 100   |
| Cable diameter              | 6.70 mm |

---

|   |   |
|---|---|
| Cable structure                               | 2x2xAWG26/7; S-FTP                            |
| Smallest bending radius, fixed installation   | 35 mm   |
| Smallest bending radius, movable installation | 35 mm   |
| Length of cable                               | 0.5 m   |
| Ambient temperature (operation)               | -20 °C ... 60 °C (cable, fixed installation)  |
|   | 0 °C ... 50 °C (cable, flexible installation) |

#### Material data

|                        |                     |
|------------------------|---------------------|
| Housing material       | CuZn/PA             |
| Outer sheath, material | PUR                 |
| External sheath, color | water blue RAL 5021 |
| Degree of protection   | IP67/IP20           |

#### Electrical characteristics

|   |  |
|---|--|
| Rated voltage (III/3)                   | 60 V   |
| Rated current                           | 1 A  |
| Transmission characteristics (category) | CAT5 (IEC 11801:2002), CAT5e (TIA 568B:2001) |

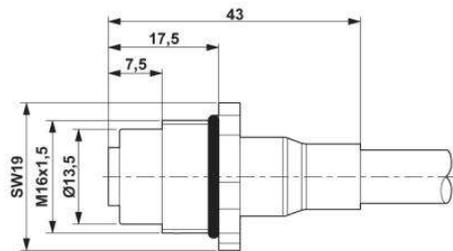
#### Line characteristics

|   |  |
|---|--|
| Cable type                              | Ethernet                                     |
| Cable structure                         | 2x2xAWG26/7 PIMF                             |
| Conductor cross section                 | 0.14 mm <sup>2</sup>                         |
| AWG signal line                         | 26   |
| Conductor structure signal line         | 7x 0.15 mm                                   |
| Core diameter including insulation      | 1.05 mm                                      |
| External cable diameter                 | 6.70 mm                                      |
| Wire colors                             | White-green, white-orange                    |
| External sheath, color                  | water blue RAL 5021                          |
| Insulation resistance                   | ≥ 5 GΩ*km                                    |
| Conductor resistance                    | ≤ 150 Ω/km                                   |
| Transmission characteristics (category) | CAT5 (IEC 11801:2002), CAT5e (TIA 568B:2001) |
| Working capacitance                     | 42 pF  |
| Wave impedance                          | 100 Ω ±5% (At 100 MHz)                       |
| Signal speed                            | 0.72 c                                       |
| Shield attenuation                      | 60 dB (Up to 1000 MHz)                       |
| Coupling resistance                     | 5.00 mΩ/m (At 10 MHz)                        |
| Nominal voltage, conductor              | max. 125 V                                   |

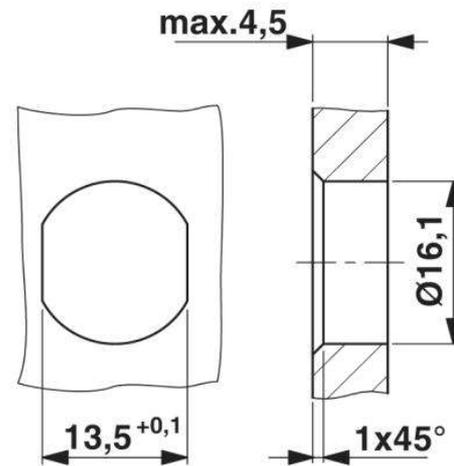
|   |   |
|---|---|
| Test voltage, conductor                       | 1000 V  |
| Twisted pairs                                 | 2 cores to the pair   |
| Type of pair shielding                        | Aluminum-lined polyester foil   |
| Overall twist                                 | Two pairs with two fillers to the core  |
| Shielding                                     | Tinned copper braided shield  |
| Outer sheath, material                        | PUR   |
| Material conductor insulation                 | Cell PE   |
| Conductor material                            | Bare Cu litz wires  |
| Cable weight                                  | 42 kg/km  |
| Smallest bending radius, movable installation | 34 mm (cable, flexible installation)  |
| Tensile strength short-term/long-term         | 30N bei Installation / 10N nach Installation  |
| Special properties                            | Free of substances which would hinder coating with paint or varnish                     |
| Flame resistance                              | complying with IEC 60332-2-2  |
| Halogen-free                                  | complying with IEC 60754-1/2  |
| Resistance to oil                             | in accordance with DIN EN 60811-2-1   |
| Other resistance                              | Microbe resistance as per VDE 0282 section 10<br>Hydrolysis resistance as per DIN 53504 |

## Diagrams/Drawings

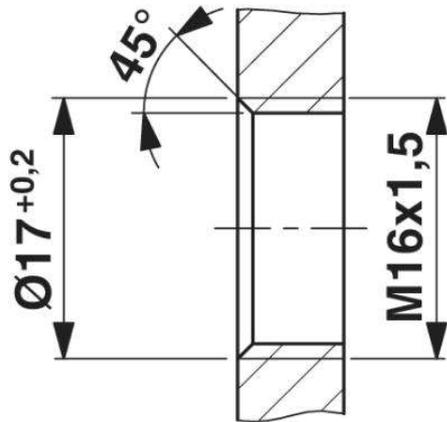
Dimensioned drawing



M12 flush-type connector

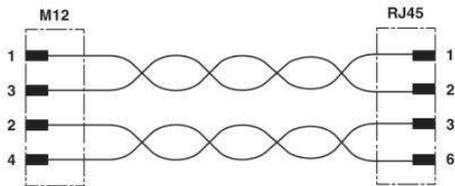


Mounting panel with feed-through hole

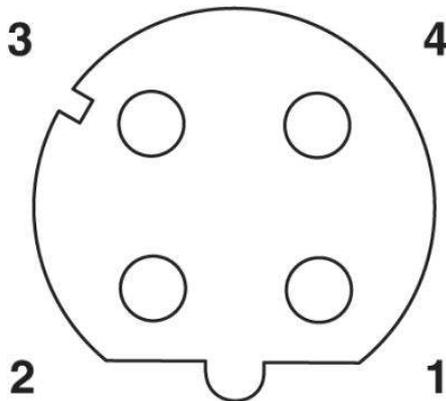


Mounting panel with thread

Circuit diagram



Schematic diagram



Pin assignment M12 female connector, 4-pos., D-coded, female side

**Address**

PHOENIX CONTACT Deutschland GmbH  
Flachmarktstr. 8  
32825 Blomberg, Germany  
Phone +49 5235 3 12000  
Fax +49 5235 3 41200  
<http://www.phoenixcontact.de>



© 2011 Phoenix Contact  
Technical modifications reserved;