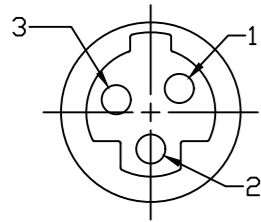


FACE VIEW-MALE INSERT

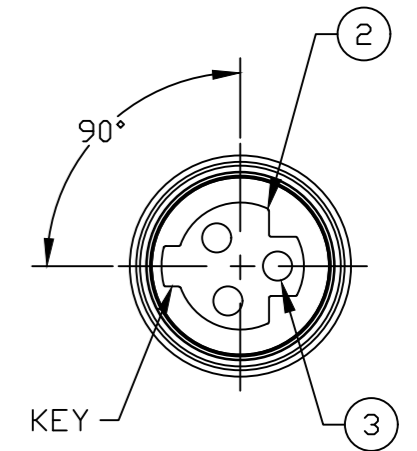
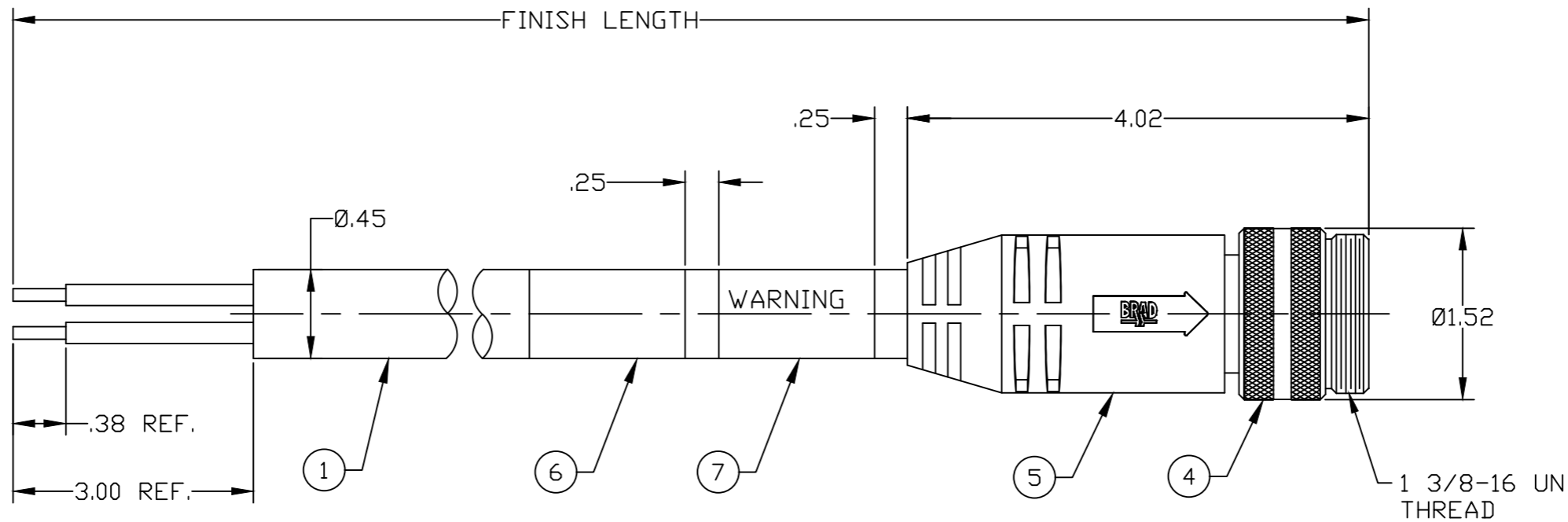


- 1 BLACK
- 2 GREEN-YELLOW
- 3 WHITE

| MATERIAL NO. | ENG. NO. | FINISHED LENGTH |
|--------------|----------------|-----------------|
| 1300630306 | C03106K19M010G | 1M (3'3") |

CABLE LENGTH TOLERANCES

| | |
|--------------------------|-------------------------|
| >.3M [1FT]: | +19mm-0 [+ .75in-0] |
| .3 - .9M [1 - 3FT]: | +44.5mm-0 [+1.75in-0] |
| .9 - 1.8M [3 - 6FT]: | +55.6mm-0 [+2.19in-0] |
| 1.8 - 3.7M [6 - 12FT]: | +88.9mm-0 [+3.50in-0] |
| 3.7 - 7.3M [12 - 24FT]: | +165.1mm-0 [+6.50in-0] |
| 7.3-14.6M [24 - 48FT]: | +317.5mm-0 [+12.50in-0] |
| 14.6 - 30.5M [48-100FT]: | +622.3mm-0 [+24.50in-0] |
| OVER 30M [100FT] | +2% OF FINISHED LENGTH |



- NOTES:
1. MATERIAL: AS NOTED
 2. FINISH: AS NOTED
 3. ELECTRICAL:
VOLTAGE: 630V PER IEC60664
600V PER UL2237
CURRENT: 32A
 4. TEMP RATING: -20°TO +90°C
 5. PROTECTION: IP67 (WHEN MATED)
 6. COUPLING THREAD: 1 3/8-16 UN
 7. UL LISTED FILE: E152210 (PENDING)
 8. ALL DIMS ARE FOR REFERENCE UNLESS NOTED OTHERWISE

PART NUMBER LEGEND

C03106K19M010G

FINISHED LENGTH:
M005= 0.5 METER
M010= 1 METER
M100= 10 METER

| ITEM | DESCRIPTION | MATERIAL | FINISH | |
|------|--------------------|--------------|---------------|--------|
| 7 | WARNING LABEL | VINYL | BLACK/ORANGE | |
| 6 | WRAP LABEL | VINYL | BLACK/YELLOW | |
| 5 | OVERMOLD | TPE | BLACK | |
| 4 | COUPLING NUT | ALUMINUM | BLACK ANODIZE | |
| 3 | CONTACT PIN | COPPER ALLOY | GOLD PLATED | |
| 2 | INSERT | TPE | BLACK | |
| 1 | CABLE, 10AWG TC/ER | TPE JACKET | BLACK | |
| | ITEM | DESCRIPTION | MATERIAL | FINISH |

| FUNCTIONAL SYMBOLS | THIS DRAWING CONTAINS INFORMATION THAT IS PROPRIETARY TO MOLEX ELECTRONIC TECHNOLOGIES, LLC AND SHOULD NOT BE USED WITHOUT WRITTEN PERMISSION | | CURRENT REV DESC: INITIAL RELEASE | |
|--------------------|---|------------------------|-----------------------------------|----------------------------|
| $F_A=0$ | DIMENSION UNITS | SCALE | | |
| $F_C=0$ | INCH | 1:1 | | |
| $F_P=0$ | GENERAL TOLERANCES (UNLESS SPECIFIED) | | | |
| | | mm | INCH | |
| | 4 PLACES | ±---- | ±---- | |
| | 3 PLACES | ±---- | ±---- | |
| | 2 PLACES | ±---- | ±---- | |
| | 1 PLACE | ±---- | ±---- | |
| | 0 PLACES | ±---- | ±---- | |
| | ANGULAR TOL ± ---- ° | | | |
| | DRAFT WHERE APPLICABLE MUST REMAIN WITHIN DIMENSIONS | THIRD ANGLE PROJECTION | DRAWING | SERIES |
| | | | B-SIZE | 130063 |
| | | | MATERIAL NUMBER | CUSTOMER |
| | | | SEE P/N LEGEND | GENERAL MARKET |
| | | | DOCUMENT NUMBER | DOC TYPE/DOC PART/REVISION |
| | | | 1300630306 | PSD 000 A |
| | | | SHEET NUMBER | |
| | | | 1 OF 1 | |