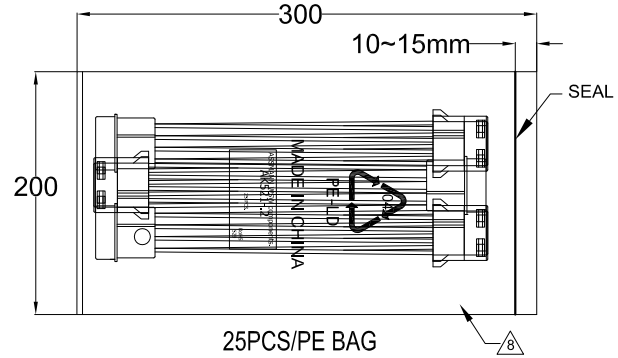


PIN ASSIGNMENT:

| P2 | P1 | P3 |
|------------|------------|----|
| 1 — YELLOW | 1 — YELLOW | 1 |
| 2 — BLACK | 2 — BLACK | 2 |
| 3 — BLACK | 3 — BLACK | 3 |
| 4 — RED | 4 — RED | 4 |



| 10 | TER | BIG 4PIN FEMALE TERMINAL PH=5.08mm MATERIAL:BRASSB TIN-PLATED | 4 | PCS |
|-----|--------|---|------|------|
| 9 | HSG | BIG 4PIN MALE HOUSING PH5.08mm INSULATOR WHITE. | 1 | PCS |
| 8 | PE BAG | CLEAR SIZE:200*300*0.05mm PRINT BLACK"MADE IN CHINA"*"25PCS" | 1/25 | PCS |
| 7 | TER | SMALL 4PIN MALE TERMINAL MATERIAL:BRASS TIN-PLATED | 4 | PCS |
| 6 | HSG | SMALL 4PIN FEMALE HOUSING PH2.54mm INSULATOR WHITE. | 1 | PCS |
| 5 | TER | BIG 4PIN MALE TERMINAL PH=5.08mm MATERIAL:BRASSB TIN-PLATED 18AWG | 4 | PCS |
| 4 | HSG | BIG 4PIN HOUSING FEMALE PH5.08mm INSULATOR WHITE. | 1 | PCS |
| 3 | CABLE | RED UL1007 18AWG(34/0.16) OD2.0 L=180+1/-0mm. | 2 | PCS |
| 2 | CABLE | BLACK UL1007 18AWG(34/0.16) OD2.0 L=180+1/-0mm. | 4 | PCS |
| 1 | CABLE | YELLOW UL1007 18AWG(34/0.16) OD2.0 L=180+1/-0mm. | 2 | PCS |
| No. | NAME | DESCRIPTION | Q'TY | UNIT |

RoHS compliant
Unit: mm

| Scale | Free | | | | Date | Name | Customer-No. |
|-----------|------|---------|--------------|-------|-----------------------|---------|--------------------|
| TOLERANCE | | | | | Drawn | Segal | |
| | | | | | Approved | Segal | ASSMANN WSW-No. |
| | | | | | | | AK521-.2 |
| DIM | TOL | | | | Drawing-No. | | |
| | | | | | ASSMANN | | ASS 8506 CA |
| | | © Drawn | 23.02.2019 | Segal | WSW components | | rev00 |
| Angle | TOL | Id. | Modification | Date | Name | Replace | Sheet |