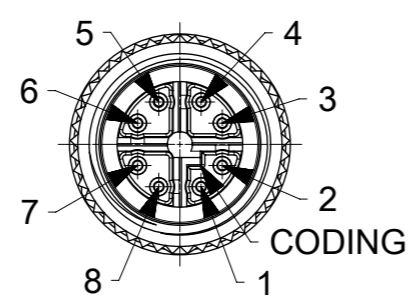


ARROW IN LINE WITH THE CODING BRAD LOGO ON OTHER SIDE

10 ID CARRIER ONLY FOR ENGINEERING NUMBERS WITH THE SUFFIX "H"

MOLEX LOGO ON ONE SIDE
BRAD LOGO ON OTHER SIDE

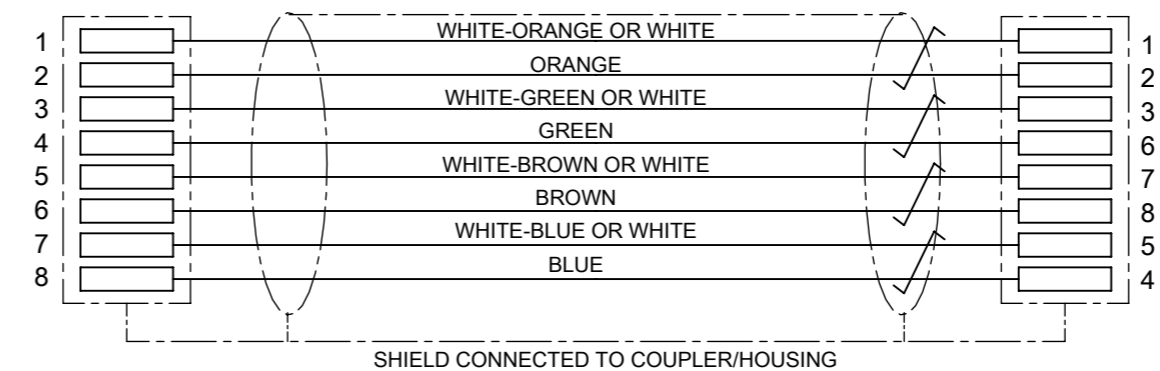
M12 X-CODE MALE FRONT VIEW



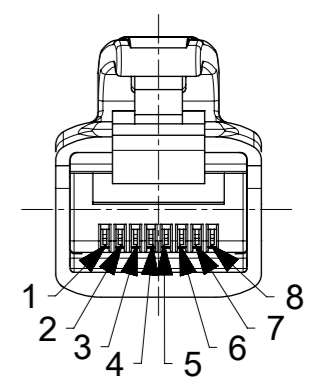
M12 X-CODE MALE

WIRING DIAGRAM

RJ45 PLUG



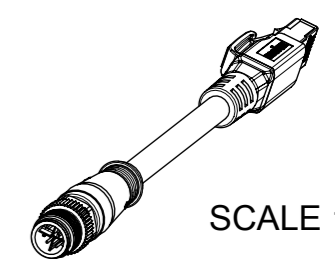
RJ45 PLUG FRONT VIEW



NOTES:
 VOLTAGE RATING: 30 V A.C. OR 42 V D.C.
 CURRENT RATING: 0.5 A
 TEMPERATURE RATING:
 STATIC: -40 °C TO 80 °C
 DYNAMIC: -20 °C TO 80 °C
 IP RATING:
 M12 SIDE IP 67 (IN MATED AND LOCKED CONDITION)
 RJ45 SIDE IP 20
 TRANSMISSION CHARACTERISTICS ACCORDING TO ISO/IEC 11801 CLASS E_A CHANNEL,
 WITH INSERTION LOSS BEING IGNORED FOR CABLE LENGTHS <1 m OR >65 m
 PACKAGING: CORDSETS ARE PACKED IN A POLYBAG

B BILL OF MATERIAL

| ITEM | QTY | DESCRIPTION | MATERIAL | FINISH/COLOR |
|------|-----|--------------------------|-----------------|---------------------|
| 1 | 1 | CABLE | PUR | GREEN |
| 2 | 8 | CONTACT 6 MALE | BRASS | Au OVER Ni |
| 3 | - | OVERMOLD | TPU | BLACK |
| 4 | 1 | INSERT M12 CAT6A MALE 8P | PA6 | BLACK |
| 5 | 1 | SHELL M12 CAT6A | ZINC DIE-CAST | Ni PLATED |
| 6 | 1 | NUT M12 MALE | BRASS | Ni PLATED |
| 7 | 1 | CONTACT RJ45 | PHOSPHOR BRONZE | SELECTIVE Au PLATED |
| 8 | 1 | PLUG RJ45 | - | - |
| 9 | 1 | SHIELD | BRASS | TIN |
| 10 | 2 | ID CARRIER | PVC | TRANSPARENT |
| 11 | 1 | LABEL 2.0X1.75 | VINYL | YELLOW |



SCALE 1:2


| | | | | | |
|--------------------|---|---|---|--|-----------------------------|
| FUNCTIONAL SYMBOLS | THIS DRAWING CONTAINS INFORMATION THAT IS PROPRIETARY TO MOLEX ELECTRONIC TECHNOLOGIES, LLC AND SHOULD NOT BE USED WITHOUT WRITTEN PERMISSION | CURRENT REV DESC: CODING ACC. STANDARD POSITIONED | | | |
| | $\sqrt{A} = 0$ $\sqrt{E} = 1$ $\sqrt{V} = 0$ | DIMENSION UNITS: mm SCALE: 2:1 | GENERAL TOLERANCES (UNLESS SPECIFIED) ANGULAR TOL ± 1.0° 4 PLACES ± 3 PLACES ± 2 PLACES ± 0.05 1 PLACE ± 0.3 0 PLACES ± 0.5 | | |
| DIVISIONAL SYMBOLS | DRAFT WHERE APPLICABLE MUST REMAIN WITHIN DIMENSIONS THIRD ANGLE PROJECTION | DRAWING: A3-SIZE SERIES: 120341 | MATERIAL NUMBER: SEE TABLE 1 CUSTOMER: GENERAL MARKET | DOCUMENT NUMBER: 1203410500 DOC TYPE: PSD DOC PART: 000 REVISION: A10 | SHEET NUMBER: 1 OF 2 |

TABLE 1

| MOLEX PN | ENGINEERING NO. | DESCRIPTION | LENGTH [mm] |
|-----------------|-----------------|---------------------------------------|-------------|
| 1203410500 | E26E06020M005 | M12 CAT6A M/RJ45 ST/ST PUR GREEN 0.5M | 500 |
| 1203410501 | E26E06020M010 | M12 CAT6A M/RJ45 ST/ST PUR GREEN 1M | 1000 |
| 1203410502 | E26E06020M020 | M12 CAT6A M/RJ45 ST/ST PUR GREEN 2M | 2000 |
| 1203410503 | E26E06020M030 | M12 CAT6A M/RJ45 ST/ST PUR GREEN 3M | 3000 |
| 1203410504 | E26E06020M040 | M12 CAT6A M/RJ45 ST/ST PUR GREEN 4M | 4000 |
| 1203410505 | E26E06020M050 | M12 CAT6A M/RJ45 ST/ST PUR GREEN 5M | 5000 |
| 1203410860 | E26E06020M070 | M12 CAT6A M/RJ45 ST/ST PUR GREEN 7M | 7000 |
| 1203410506 | E26E06020M100 | M12 CAT6A M/RJ45 ST/ST PUR GREEN 10M | 10000 |
| 1203410507 | E26E06020M150 | M12 CAT6A M/RJ45 ST/ST PUR GREEN 15M | 15000 |
| 1203410508 | E26E06020M200 | M12 CAT6A M/RJ45 ST/ST PUR GREEN 20M | 20000 |
| 1203410511 | E26E06020M230 | M12 CAT6A M/RJ45 ST/ST PUR GREEN 23M | 23000 |
| 1203410861 | E26E06020M250 | M12 CAT6A M/RJ45 ST/ST PUR GREEN 25M | 25000 |
| 1203410509 | E26E06020M300 | M12 CAT6A M/RJ45 ST/ST PUR GREEN 30M | 30000 |
| 1203410510 | E26E06020M400 | M12 CAT6A M/RJ45 ST/ST PUR GREEN 40M | 40000 |
| 1203410568 | E26E06020M500 | M12 CAT6A M/RJ45 ST/ST PUR GREEN 50M | 50000 |
| 1203410569 | E26E06020M600 | M12 CAT6A M/RJ45 ST/ST PUR GREEN 60M | 60000 |
| 1203410570 | E26E06020M700 | M12 CAT6A M/RJ45 ST/ST PUR GREEN 70M | 70000 |
| WITH ID CARRIER | | | |
| 1203410572 | E26E06020M005H | M12 CAT6A M/RJ45 ST/ST PUR GREEN 0.5M | 500 |
| 1203410573 | E26E06020M010H | M12 CAT6A M/RJ45 ST/ST PUR GREEN 1M | 1000 |
| 1203410574 | E26E06020M020H | M12 CAT6A M/RJ45 ST/ST PUR GREEN 2M | 2000 |
| 1203410575 | E26E06020M030H | M12 CAT6A M/RJ45 ST/ST PUR GREEN 3M | 3000 |
| 1203410576 | E26E06020M040H | M12 CAT6A M/RJ45 ST/ST PUR GREEN 4M | 4000 |
| 1203410577 | E26E06020M050H | M12 CAT6A M/RJ45 ST/ST PUR GREEN 5M | 5000 |
| 1203410936 | E26E06020M065H | M12 CAT6A M/RJ45 ST/ST PUR GREEN 6.5M | 6500 |
| 1203410578 | E26E06020M100H | M12 CAT6A M/RJ45 ST/ST PUR GREEN 10M | 10000 |
| 1203410937 | E26E06020M110H | M12 CAT6A M/RJ45 ST/ST PUR GREEN 11M | 11000 |
| 1203410938 | E26E06020M120H | M12 CAT6A M/RJ45 ST/ST PUR GREEN 12M | 12000 |
| 1203410939 | E26E06020M130H | M12 CAT6A M/RJ45 ST/ST PUR GREEN 13M | 13000 |
| 1203410579 | E26E06020M150H | M12 CAT6A M/RJ45 ST/ST PUR GREEN 15M | 15000 |
| 1203410580 | E26E06020M200H | M12 CAT6A M/RJ45 ST/ST PUR GREEN 20M | 20000 |
| 1203410583 | E26E06020M230H | M12 CAT6A M/RJ45 ST/ST PUR GREEN 23M | 23000 |
| 1203410581 | E26E06020M300H | M12 CAT6A M/RJ45 ST/ST PUR GREEN 30M | 30000 |
| 1203410582 | E26E06020M400H | M12 CAT6A M/RJ45 ST/ST PUR GREEN 40M | 40000 |
| 1203410974 | E26E06020M450H | M12 CAT6A M/RJ45 ST/ST PUR GREEN 45M | 45000 |
| 1203410584 | E26E06020M500H | M12 CAT6A M/RJ45 ST/ST PUR GREEN 50M | 50000 |
| 1203410585 | E26E06020M600H | M12 CAT6A M/RJ45 ST/ST PUR GREEN 60M | 60000 |
| 1203410976 | E26E06020M650H | M12 CAT6A M/RJ45 ST/ST PUR GREEN 65M | 65000 |
| 1203410586 | E26E06020M700H | M12 CAT6A M/RJ45 ST/ST PUR GREEN 70M | 70000 |
| 1203410914 | E26E06020M800H | M12 CAT6A M/RJ45 ST/ST PUR GREEN 80M | 80000 |
| 1203410977 | E26E06020M850H | M12 CAT6A M/RJ45 ST/ST PUR GREEN 85M | 85000 |

CABLE LENGTH TOLERANCES

| LENGTH | TOLERANCE |
|--------------|------------|
| 0 m - 1 m | +40 mm |
| >1 m - 5 m | +60 mm |
| >5 m - 10 m | +80 mm |
| >10 m - 20 m | +140 mm |
| >20 m - 30 m | +160 mm |
| >30 m | +1% length |

| | | | | | | | | | | | | | | | | | | |
|---|--|--|---|------------------------|--|------------------|---|----------------|---|--|--------------------------|--|----------------------|--------------------------|-----------------------------|---------------|---------------|---------------|
| FUNCTIONAL SYMBOLS | THIS DRAWING CONTAINS INFORMATION THAT IS PROPRIETARY TO MOLEX ELECTRONIC TECHNOLOGIES, LLC AND SHOULD NOT BE USED WITHOUT WRITTEN PERMISSION | |  | | | | | | | | | | | | | | | |
| <table border="1"> <tr><td>THIS DRAWING CONTAINS INFORMATION THAT IS PROPRIETARY TO MOLEX ELECTRONIC TECHNOLOGIES, LLC AND SHOULD NOT BE USED WITHOUT WRITTEN PERMISSION</td></tr> <tr><td>CURRENT REV DESC: CODING ACC. STANDARD POSITIONED</td></tr> </table> | THIS DRAWING CONTAINS INFORMATION THAT IS PROPRIETARY TO MOLEX ELECTRONIC TECHNOLOGIES, LLC AND SHOULD NOT BE USED WITHOUT WRITTEN PERMISSION | CURRENT REV DESC: CODING ACC. STANDARD POSITIONED | | | <table border="1"> <tr><td>DIMENSION UNITS</td><td>SCALE</td></tr> <tr><td>mm</td><td>1:1</td></tr> </table> | DIMENSION UNITS | SCALE | mm | 1:1 | <table border="1"> <tr><td>GENERAL TOLERANCES (UNLESS SPECIFIED)</td></tr> <tr><td>ANGULAR TOL ± 1.0°</td></tr> </table> | | GENERAL TOLERANCES (UNLESS SPECIFIED) | ANGULAR TOL ± 1.0° | | | | | |
| THIS DRAWING CONTAINS INFORMATION THAT IS PROPRIETARY TO MOLEX ELECTRONIC TECHNOLOGIES, LLC AND SHOULD NOT BE USED WITHOUT WRITTEN PERMISSION | | | | | | | | | | | | | | | | | | |
| CURRENT REV DESC: CODING ACC. STANDARD POSITIONED | | | | | | | | | | | | | | | | | | |
| DIMENSION UNITS | SCALE | | | | | | | | | | | | | | | | | |
| mm | 1:1 | | | | | | | | | | | | | | | | | |
| GENERAL TOLERANCES (UNLESS SPECIFIED) | | | | | | | | | | | | | | | | | | |
| ANGULAR TOL ± 1.0° | | | | | | | | | | | | | | | | | | |
| DIVISIONAL SYMBOLS | <table border="1"> <tr><td>4 PLACES ±</td></tr> <tr><td>3 PLACES ±</td></tr> <tr><td>2 PLACES ± 0.05</td></tr> <tr><td>1 PLACE ± 0.3</td></tr> <tr><td>0 PLACES ± 0.5</td></tr> </table> | 4 PLACES ± | 3 PLACES ± | 2 PLACES ± 0.05 | 1 PLACE ± 0.3 | 0 PLACES ± 0.5 | <table border="1"> <tr><td>EC NO: 748267</td></tr> <tr><td>DRWN: RSCHIEBER 2023/05/03</td></tr> <tr><td>CHK'D: RSILLER 2023/05/04</td></tr> <tr><td>APPR: RSILLER 2023/05/04</td></tr> </table> | EC NO: 748267 | DRWN: RSCHIEBER 2023/05/03 | CHK'D: RSILLER 2023/05/04 | APPR: RSILLER 2023/05/04 | <table border="1"> <tr><td>PRODUCT CUSTOMER DRAWING</td></tr> <tr><td>DOCUMENT NUMBER: 1203410500</td></tr> <tr><td>DOC TYPE: PSD</td></tr> <tr><td>DOC PART: 000</td></tr> <tr><td>REVISION: A10</td></tr> </table> | | PRODUCT CUSTOMER DRAWING | DOCUMENT NUMBER: 1203410500 | DOC TYPE: PSD | DOC PART: 000 | REVISION: A10 |
| 4 PLACES ± | | | | | | | | | | | | | | | | | | |
| 3 PLACES ± | | | | | | | | | | | | | | | | | | |
| 2 PLACES ± 0.05 | | | | | | | | | | | | | | | | | | |
| 1 PLACE ± 0.3 | | | | | | | | | | | | | | | | | | |
| 0 PLACES ± 0.5 | | | | | | | | | | | | | | | | | | |
| EC NO: 748267 | | | | | | | | | | | | | | | | | | |
| DRWN: RSCHIEBER 2023/05/03 | | | | | | | | | | | | | | | | | | |
| CHK'D: RSILLER 2023/05/04 | | | | | | | | | | | | | | | | | | |
| APPR: RSILLER 2023/05/04 | | | | | | | | | | | | | | | | | | |
| PRODUCT CUSTOMER DRAWING | | | | | | | | | | | | | | | | | | |
| DOCUMENT NUMBER: 1203410500 | | | | | | | | | | | | | | | | | | |
| DOC TYPE: PSD | | | | | | | | | | | | | | | | | | |
| DOC PART: 000 | | | | | | | | | | | | | | | | | | |
| REVISION: A10 | | | | | | | | | | | | | | | | | | |
| <table border="1"> <tr><td>DRAFT WHERE APPLICABLE MUST REMAIN WITHIN DIMENSIONS</td></tr> </table> | | DRAFT WHERE APPLICABLE MUST REMAIN WITHIN DIMENSIONS | <table border="1"> <tr><td>THIRD ANGLE PROJECTION</td></tr> </table> | THIRD ANGLE PROJECTION | <table border="1"> <tr><td>DRAWING: A3-SIZE</td></tr> </table> | DRAWING: A3-SIZE | <table border="1"> <tr><td>SERIES: 120341</td></tr> </table> | SERIES: 120341 | <table border="1"> <tr><td>MATERIAL NUMBER: SEE TABLE 1</td></tr> <tr><td>CUSTOMER: GENERAL MARKET</td></tr> </table> | MATERIAL NUMBER: SEE TABLE 1 | CUSTOMER: GENERAL MARKET | <table border="1"> <tr><td>SHEET NUMBER: 2 OF 2</td></tr> </table> | SHEET NUMBER: 2 OF 2 | | | | | |
| DRAFT WHERE APPLICABLE MUST REMAIN WITHIN DIMENSIONS | | | | | | | | | | | | | | | | | | |
| THIRD ANGLE PROJECTION | | | | | | | | | | | | | | | | | | |
| DRAWING: A3-SIZE | | | | | | | | | | | | | | | | | | |
| SERIES: 120341 | | | | | | | | | | | | | | | | | | |
| MATERIAL NUMBER: SEE TABLE 1 | | | | | | | | | | | | | | | | | | |
| CUSTOMER: GENERAL MARKET | | | | | | | | | | | | | | | | | | |
| SHEET NUMBER: 2 OF 2 | | | | | | | | | | | | | | | | | | |