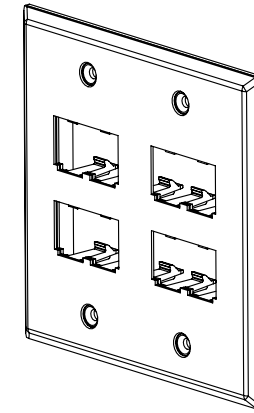
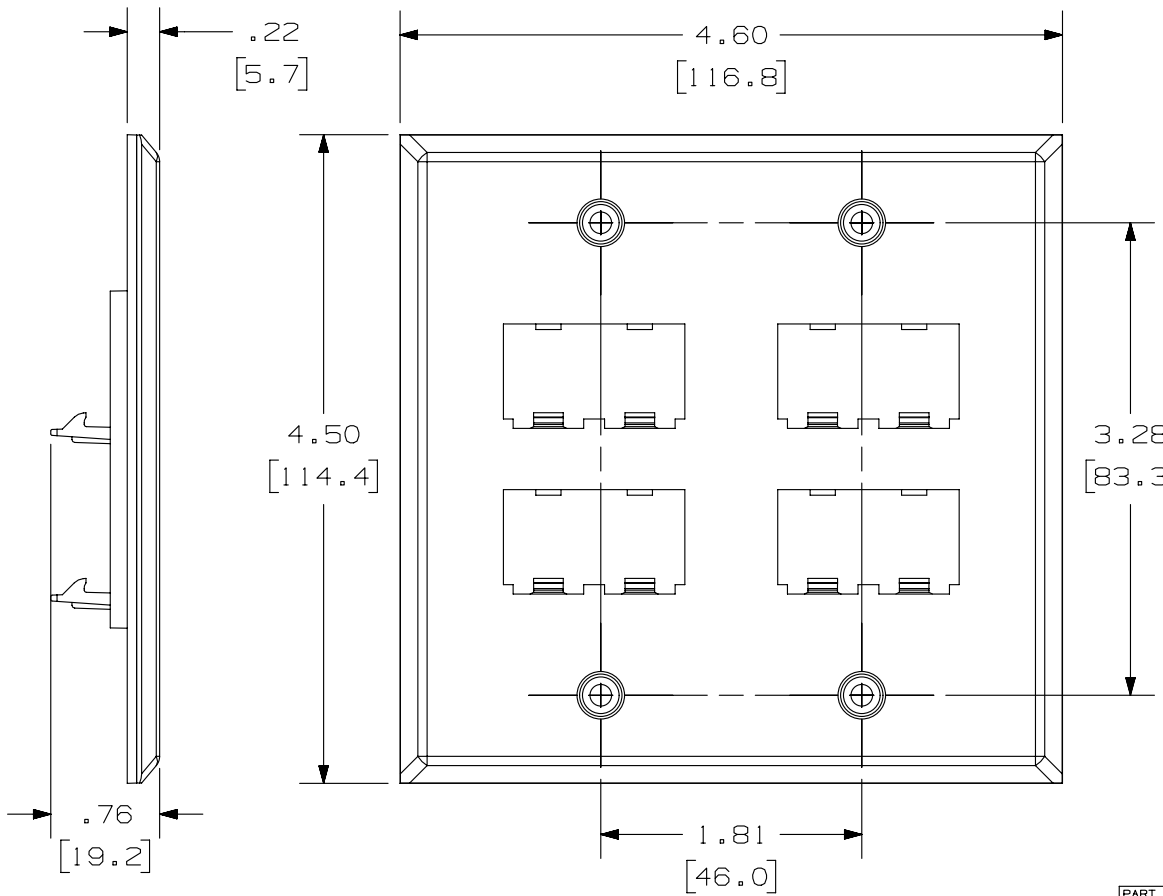


THIS COPY IS PROVIDED ON A RESTRICTED BASIS AND IS NOT TO BE USED IN ANY WAY DETRIMENTAL TO THE INTERESTS OF PANDUIT CORP.

PANDUIT P/N	WEIGHT
CFP8S-2GY	2.37 LB/10 PCS (1078.0 g/10 PCS)

NOTES:

- SEE CURRENT CATALOG FOR ADDITIONAL PART NUMBER SUFFIXES TO INDICATE COLOR AND OR PACKAGE QUANTITY.
- SEE CATALOG FOR COMPLETE LIST OF PARTS APPLICABLE FOR USE WITH THIS PART.
- DIMENSIONS IN PARENTHESES ARE IN METRIC.
- MATERIAL:  
FACEPLATE-20AWG 430 STAINLESS STEEL  
BACKING-ABS
- PART INCLUDES:  
1- FACEPLATE  
4- #6-32 X 1" MOUNTING SCREW



PART NUMBER		CFP8S-2GY	
TITLE			
<p align="center"><b>MINI-COM 8 POSITION DOUBLE GANG STAINLESS STEEL FACEPLATE</b></p> <p align="center">CUSTOMER DRAWING</p>			
ITEM REVISION NAME		M02479FG/01	
DATASET FILE NAME		M02479FG_DC139/01C	
UNLESS OTHERWISE SPECIFIED, DIMENSIONAL TOLERANCES ARE: IN (mm)		MATERIAL:	
.x ± .1 [2.54]      .xxx ± .005 [.127]		SEE NOTE 4	
.xx ± .01 [.25]      ANGLES ± 5°		DRAWING NUMBER:	
		02479-139	
DRAWN BY	DATE	CHK	SCALE
MJD	3-18-06	MJD	NONE
SHT 1 OF 1			SIZE
			A

REV	DATE	BY	CHK	APR	DESCRIPTION	ECN
2	2-24-14	MDJR	REFR	MMR	B. UPDATED TITLE BLOCK.	02479-139
1	7-30-07	JSP	JCO	JCO	A. FACEPLATE MATERIAL WAS 430 S.S.	02479-139
R	3-18-06	JSP	MJD	MJD	RELEASED TO PRODUCTION	02479-139

D10100DA/14