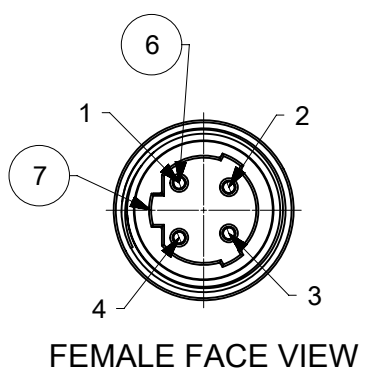
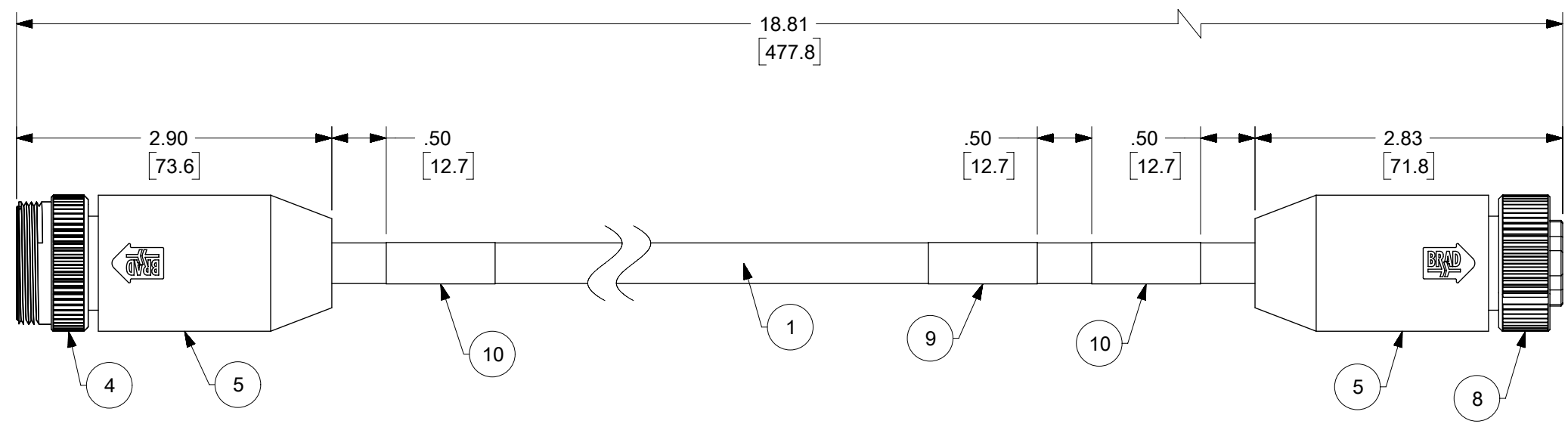
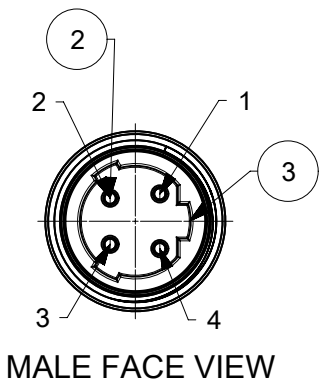


PART NO.	ENGINEERING NO.	FINISHED LENGTH
1300620311	334130K21M020G	2.00 M (6.56 FT)

CHART

CABLE LENGTH TOLERANCES	
>.3M [1FT]:	+19mm-0 [+ .75in-0]
.3 - .9M [1 - 3FT]:	+44.5mm-0 [+1.75in-0]
.9 - 1.8M [3 - 6FT]:	+55.6mm-0 [+2.19in-0]
1.8 - 3.7M [6 - 12FT]:	+88.9mm-0 [+3.50in-0]
3.7 - 7.3M [12 - 24FT]:	+165.1mm-0 [+6.50in-0]
7.3-14.6M [24 - 48FT]:	+317.5mm-0 [+12.50in-0]
14.6 - 30.5M [48-100FT]:	+622.3mm-0 [+24.50in-0]
OVER 30M [100FT]	+2% OF FINISHED LENGTH



- NOTE:
- MATERIAL: SEE TABLE
  - FINISHES: SEE TABLE
  - FLAG LABEL IS MARKED WITH PART No., DATE CODE, VOLTAGE AND AMPERAGE
  - ELECTRICAL DATA  
POLE: 4  
MAX. VOLTAGE: IEC60664 600V  
UL2237 600V  
MAX. CURRENT: 15A
  - ENVIRONMENTAL PROTECTION: IP67  
TEMPERATURE RATING: -40C TO 90C
  - PACKAGING:  
ASSEMBLIES ARE BAGGED SEPARATELY IN POLY BAGS WITH BAR CODE LABEL ATTACHED TO OUTSIDE OF BAG
  - ASSEMBLY IS RoHS COMPLIANT
  - CERTIFICATION: UL2237 PENDING
  - DIMENSIONS ARE REFERENCE ONLY UNLESS OTHERWISE SPECIFIED

WIRING DIAGRAM

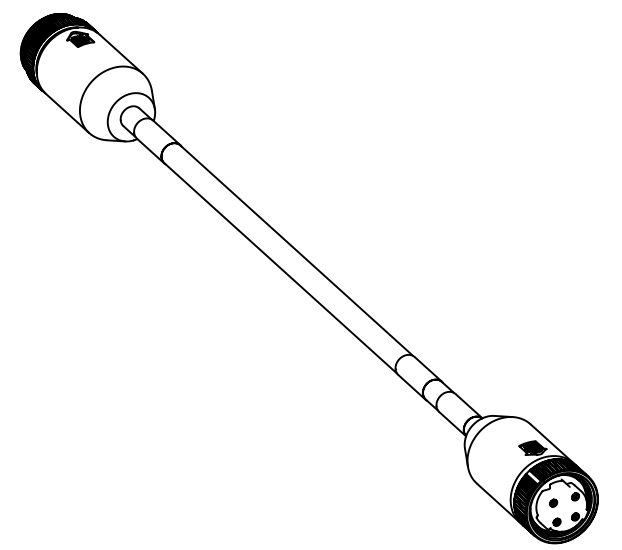
1	BLACK#1	1
2	BLACK#2	2
3	BLACK#3	3
4	GREEN/YELLOW	4

PART NUMBER MATRIX

**334130K21M020G**

CABLE TYPE  
#14-4 AWG  
TC-ER/MTW

FINISH LENGTH  
M005 = 0.5 METER  
M010 = 1 METER  
M100 = 10 METER



11	GASKET SEAL	SILICONE	LIGHT GRAY
10	WARNING LABEL	VINYL	MULTI COLOR
9	WRAP LABEL	VINYL	YELLOW
8	FEMALE COUPLING NUT	BRASS	NICKEL PLATED
7	4P FEMALE INSERT	TPE	BLACK
6	SOCKET CONTACT	BRASS	GOLD PLATED
5	OVER MOLD	TPE	GRAY
4	MALE COUPLING NUT	BRASS	NICKEL PLATED
3	4P MALE INSERT	TPE	BLACK
2	PIN CONTACT	BRASS	GOLD PLATED
1	12/4C AWG SHLD HIGH-FLEX, VFD	TPE JACKET, XLPE INSUL	YELLOW
ITM	DESCRIPTION	MATERIAL	FINISH

SYMBOLS		THIS DRAWING CONTAINS INFORMATION THAT IS PROPRIETARY TO MOLEX ELECTRONIC TECHNOLOGIES, LLC AND SHOULD NOT BE USED WITHOUT WRITTEN PERMISSION	
▽ = 0	DIMENSION UNITS	SCALE	CURRENT REV DESC: RELEASE
▽ = 0	HYBRID	1:1	
▽ = 0	GENERAL TOLERANCES (UNLESS SPECIFIED)		<p><b>molex</b></p> <p>BP C 4P M/MFE TK ST #14 TC-ER BLACK</p> <p>PRODUCT CUSTOMER DRAWING</p>
▽ = 0	ANGULAR TOL	± °	
▽ = 0	4 PLACES	±	
▽ = 0	3 PLACES	±	
▽ = 0	2 PLACES	±	
▽ = 0	1 PLACE	±	<p>EC NO: 175475</p> <p>DRWN: MZIELINSKI 2018/04/23</p> <p>CHK'D: TWOLDEGEBRIE 2018/05/02</p> <p>APPR: BWOODMAN 2018/05/02</p>
▽ = 0	0 PLACES	±	<p>INITIAL REVISION:</p> <p>DRWN: MZIELINSKI 2018/04/23</p> <p>APPR: BWOODMAN 2018/05/02</p>
■ = 0	DRAFT WHERE APPLICABLE MUST REMAIN WITHIN DIMENSIONS		<p>DOCUMENT NUMBER</p> <p>1300620311</p>
▽ = 0	THIRD ANGLE PROJECTION	DRAWING	<p>DOC TYPE DOC PART REVISION</p> <p>PSD 000 A</p>
		SERIES	<p>MATERIAL NUMBER CUSTOMER SHEET NUMBER</p> <p>SEE CHART/MATRIX 1000 1 OF 1</p>
		B-SIZE	130062

DOCUMENT STATUS	P1	RELEASE DATE	2018/05/02 22:02:22
-----------------	----	--------------	---------------------