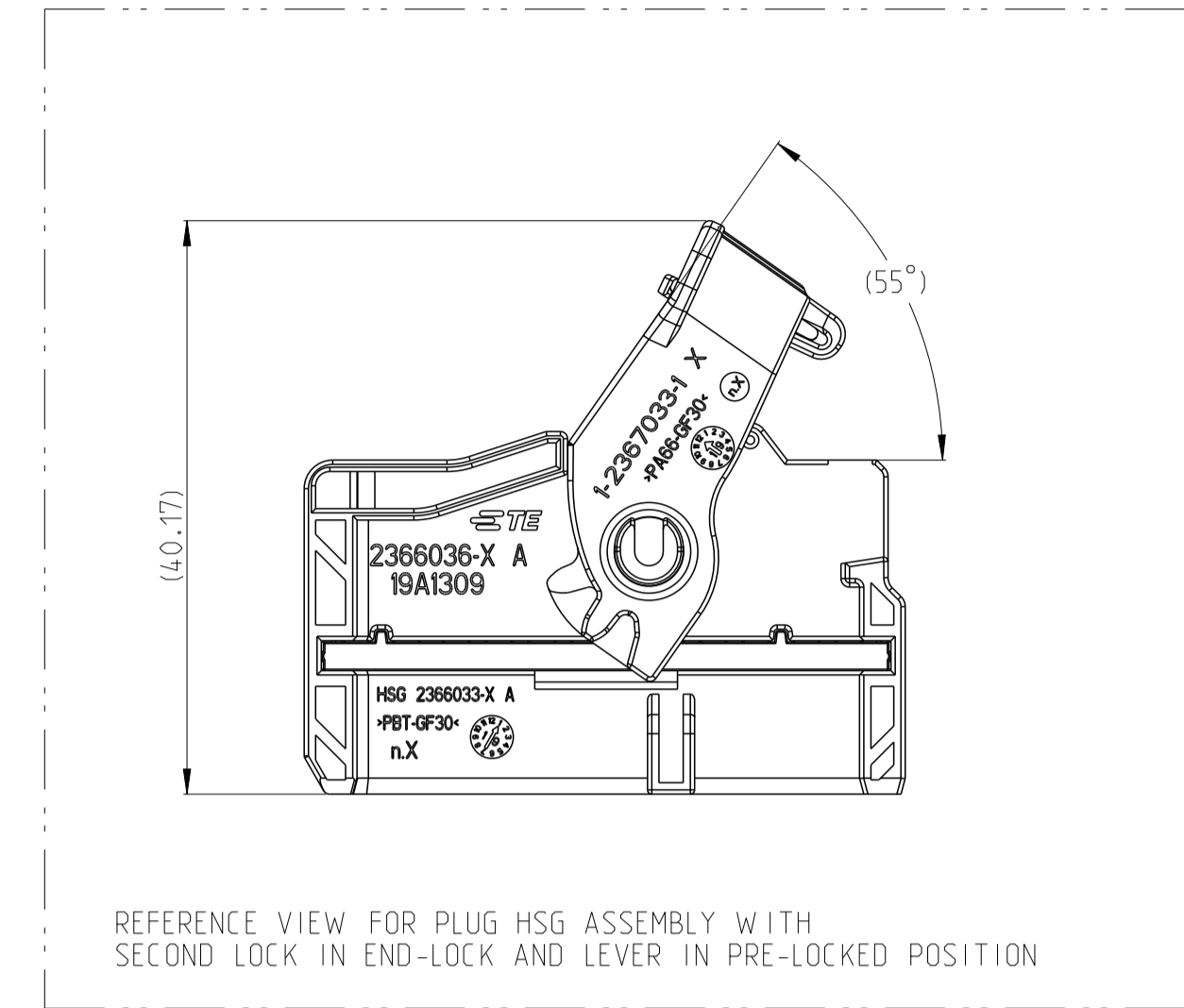
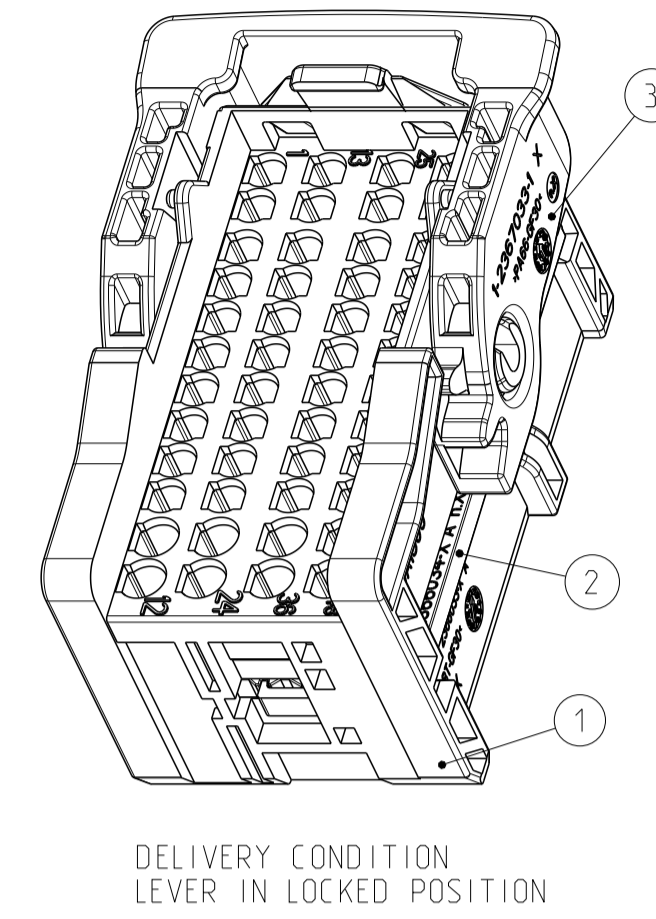
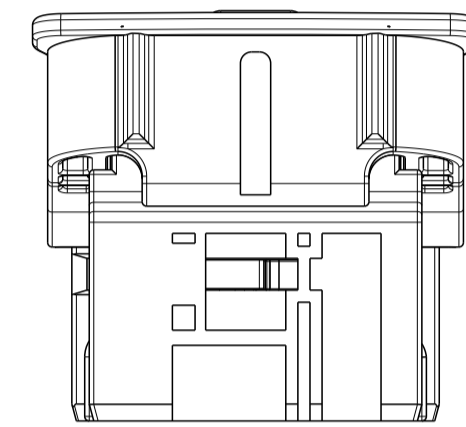
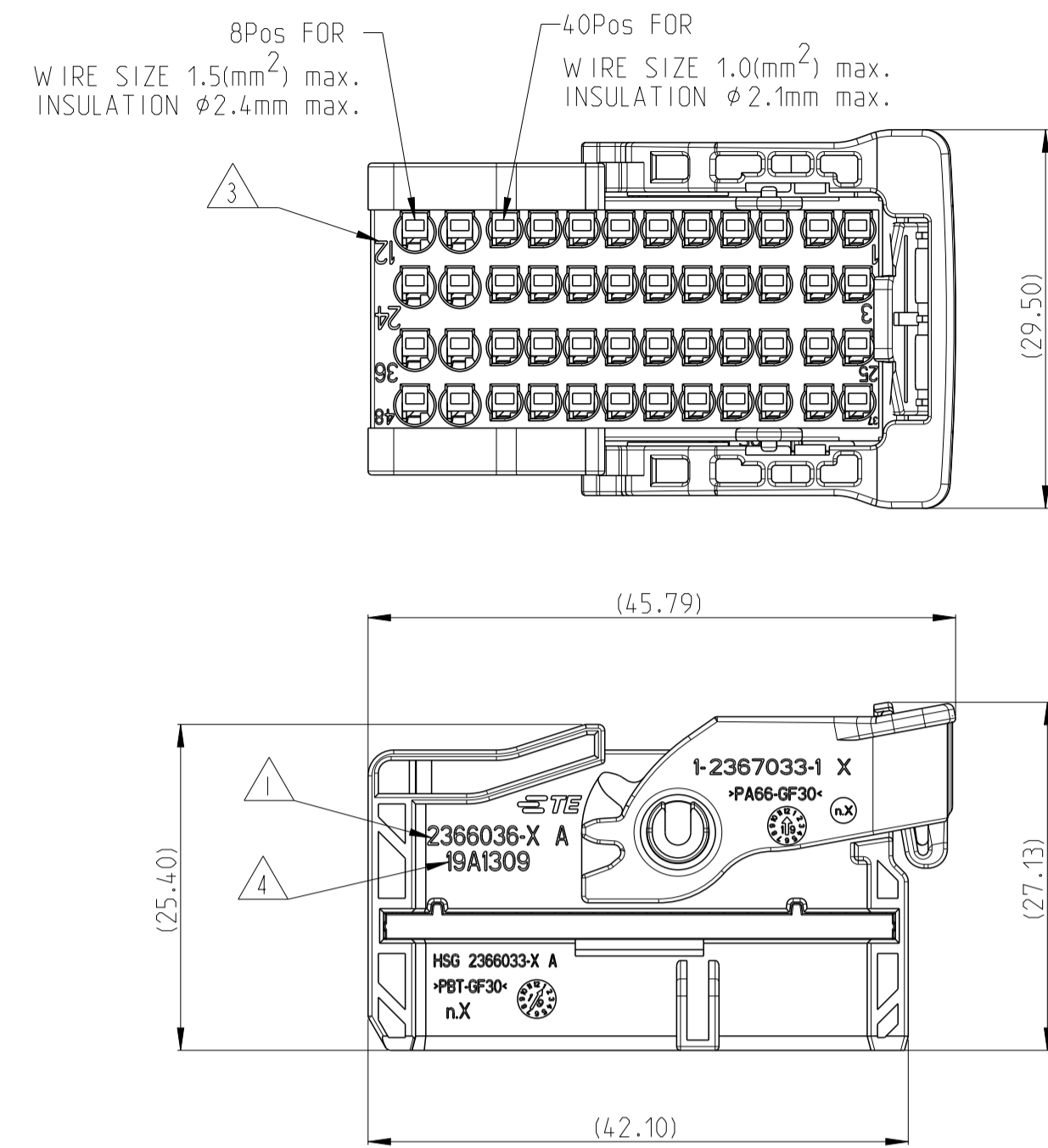


2366036-1 SHOWN AS



REVISIONS				
P	LTN	DESCRIPTION	DATE	APP'D
A		INITIAL RELEASE DRAWING	15JAN2020	S.ZH I.Y
A1		REVISE	15JAN2021	S.Z I.Y
B		REVISED PER PCN E-21-004518	16APR2021	S.Z Z.Z
B1		REVISE ECN-22-186969	28NOV2022	W.W Z.Z

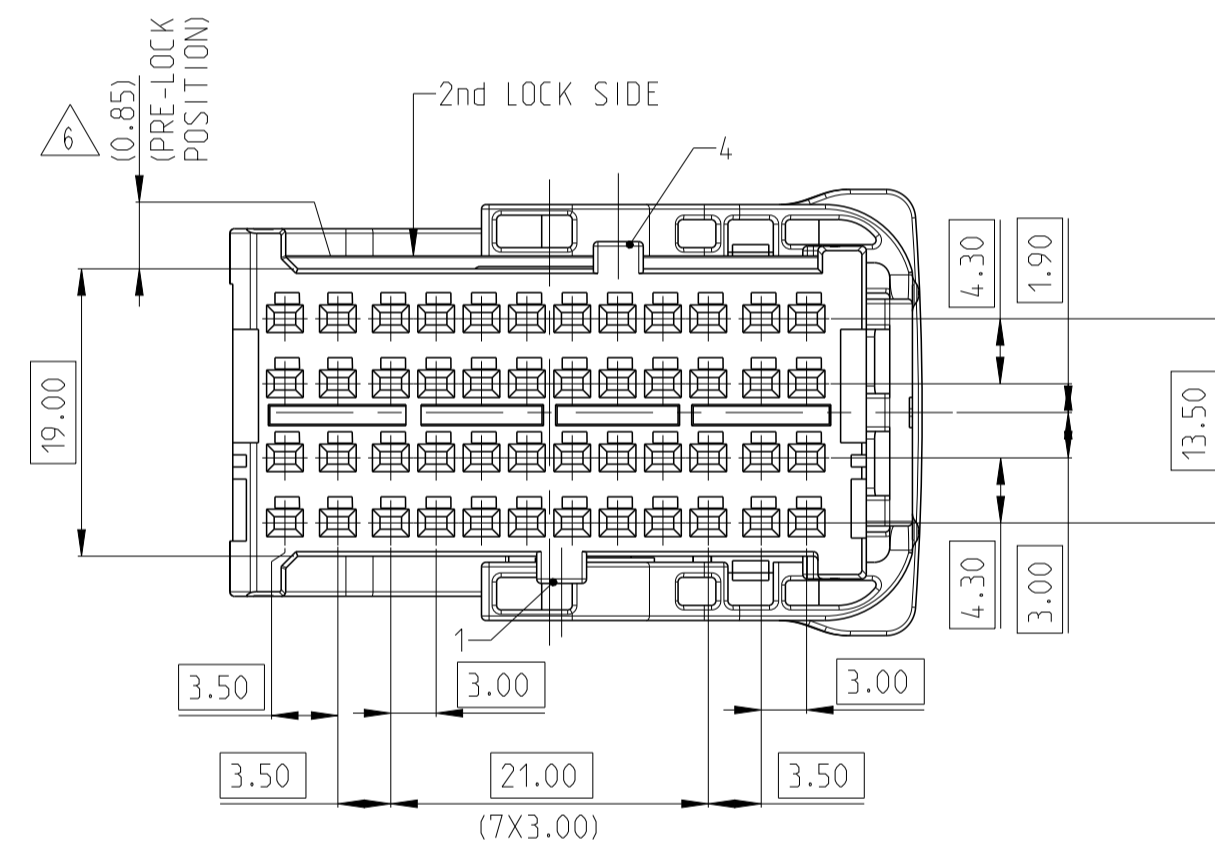
NOTES:

- ASSEMBLY PN AND PART REVISION:  
2366036-X A  
X: X=1, 2, 3, 4 FOR VARIOUS CODE.  
A: PART REVISION. DETAIL SEE TABLE ON THE DRAWING SHEET 1.
- MATERIAL: SEE TABLE ON THE DRAWING SHEET 1.
- IDENTIFICATION FOR CABLE PINOUT.
- THE ASSEMBLY DATE CODE: IDENTIFIES THE YEAR, MONTH, DAY AND HOUR OF ASSEMBLY.  
SUCH AS :19A1309  
19: YEAR, FIRST AND SECOND DIGITS (19=2019)  
A: MONTH, THIRD DIGIT, EXCLUDING "1". A=JAN, B=FEB, C=MARCH...H=AUGUST, J=SEPTEMBER...  
13: DAY, FOURTH AND FIFTH DIGITS(13=13th DAY)  
09: HOUR, SIXTH AND SEVENTH DIGITS(09=09AM)
- INSTALL LEVER AND SECOND LOCK ONTO HOUSING AS SHOWN.
- VERIFY THE SECOND LOCK SEATED ON PRE-LOCK POSITION FOR DELIVERY.  
PULL SECOND LOCK TO PRE-LOCK BEFORE TERMINAL INSERTION IN CASE OF SECOND LOCK BEING HIT TO END-LOCK POSITION.
- APPLICABLE TERMINAL PART NUMBERS AND WIRE SIZE SHOWN AS BELOW FOR RECOMMEND.  
CONSULT TE CONNECTIVITY FOR MORE APPLICATION INFORMATION.

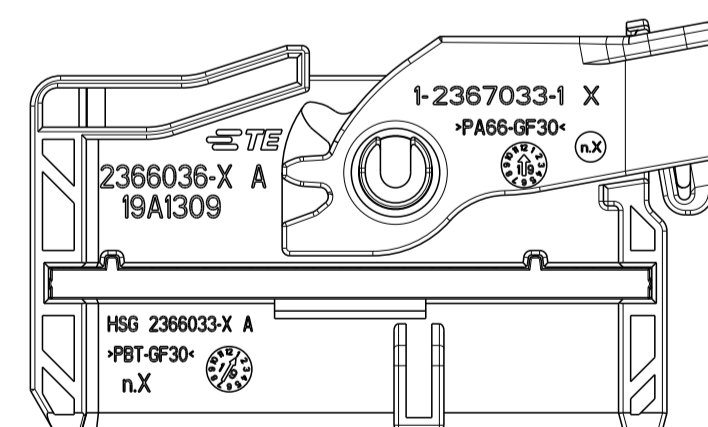
B1

7-1452656-1	TIN	0.50-0.75	Ø1.40-Ø1.90
7-1452659-1	TIN	1.0-1.5	Ø1.90-Ø2.40
TERMINAL PN	TERMINAL PLATING	WIRE SIZE (MM2)	INSULATION WIRES OD (MM)

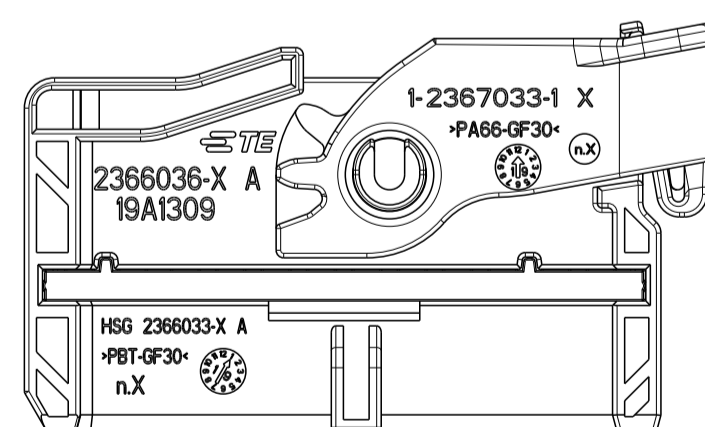
8. THIS PLUG MATES WITH TAB 2366066-X. (X=1, 2, 3, 4 FOR VARIOUS CODE).



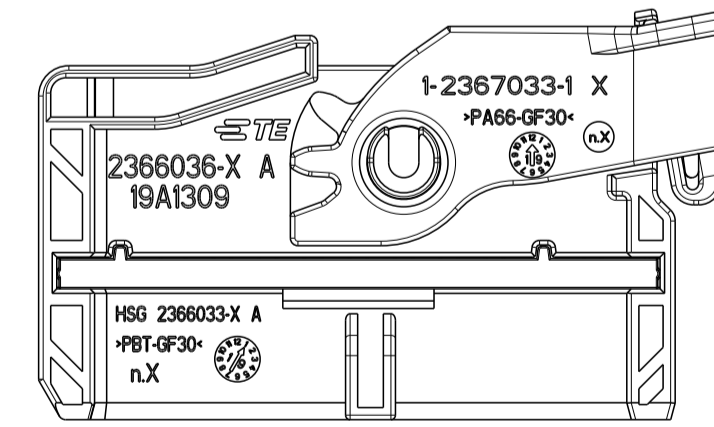
CODING A  
2366036-1



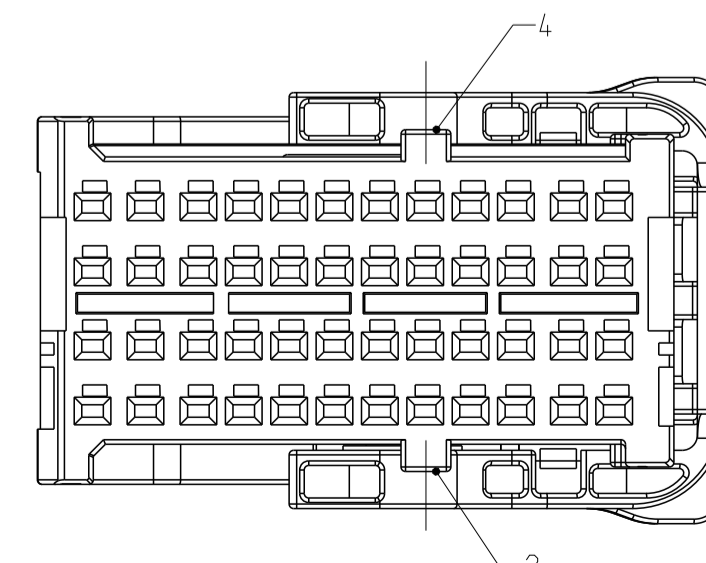
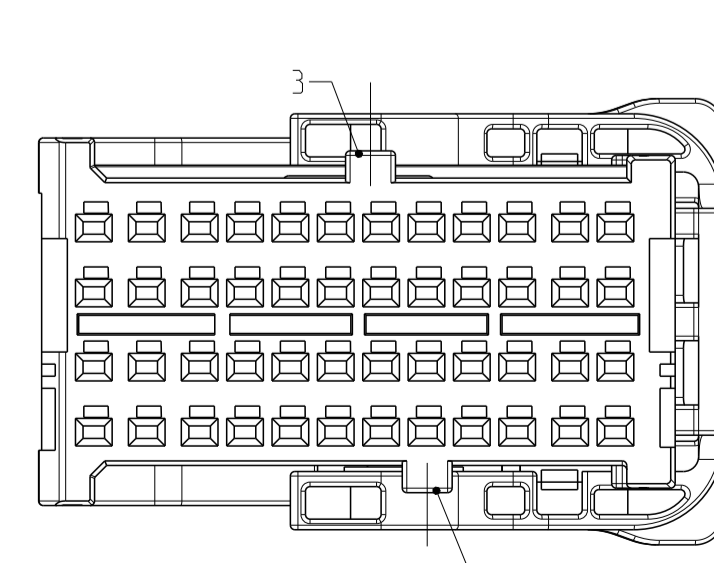
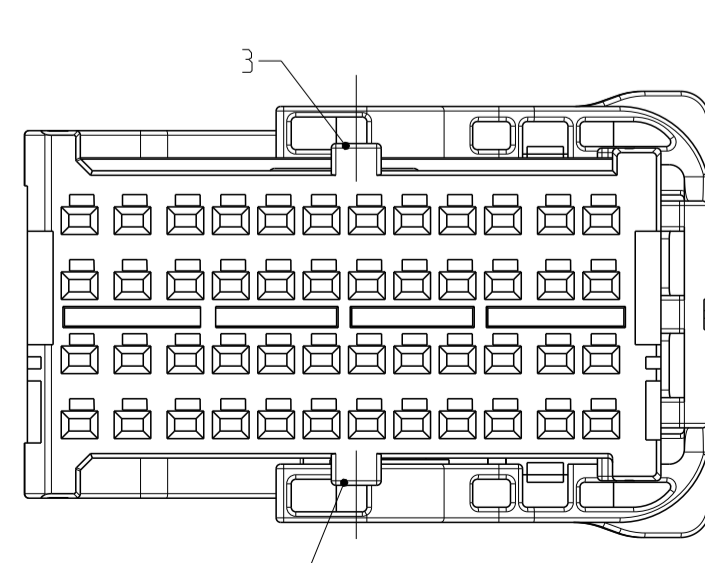
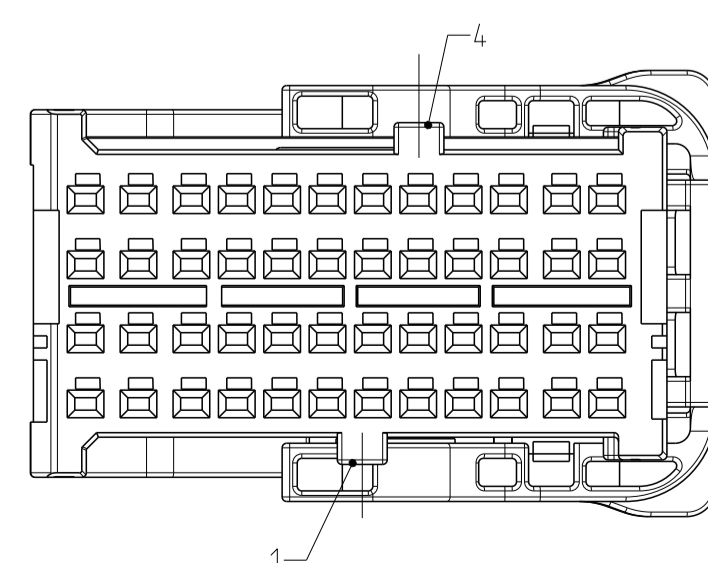
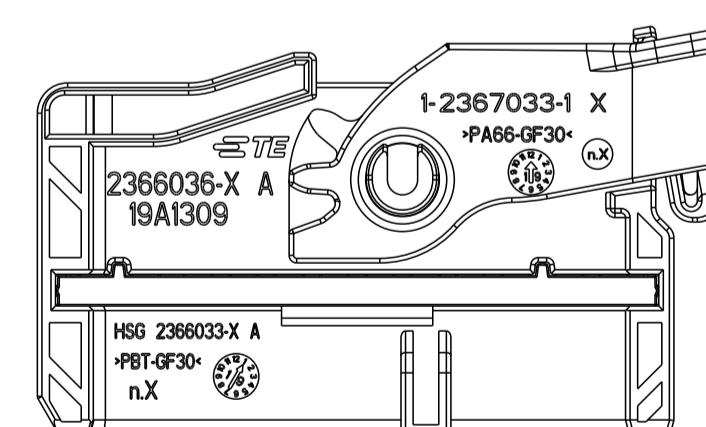
CODING B  
2366036-2



CODING C  
2366036-3



CODING D  
2366036-4



1	1	1	1	LEVER	PA66-GF30	YELLOW	3
1	1	1	1	SECOND LOCK	PBT-GF30	YELLOW	2
	1			HOUSING, CODE D	PBT-GF30	BLUE	1
		1		HOUSING, CODE C	PBT-GF30	GREEN	
			1	HOUSING, CODE B	PBT-GF30	GRAY	
			1	HOUSING, CODE A	PBT-GF30	BLACK	
-4	-3	-2	-1	PART NO	MATERIAL	COLOUR	ITEM NO
				CODING			
B	B	B	B	REVISION OF EACH ASSY NO (WHEN BLANK, USE DWG REVISION)			
19.41	19.41	19.41	19.41	WEIGHT OF EACH ASSY NO. (g)			
QTY REQD PER ASSY				PARTS LIST			
THIS DRAWING IS A CONTROLLED DOCUMENT.				OWN S.ZHANG 03JAN2020			
				CHK E.JIANG 03JAN2020			
DIMENSIONS:				APVD L.Y.LIN 03JAN2020			
mm				PRODUCT SPEC	NAME 48POS. MCON 1.2LL, PLUG HSG ASSY UNSEALED, CONNECTOR		
0 PLC ±0.5				APPLICATION SPEC	SIZE CAGE CODE DRAWING NO RESTRICTED TO		
1 PLC ±0.3				116-32365	A   00779 C=2366036		
2 PLC ±0.20				WEIGHT	SCALE 2:1 SHEET 1 OF 1 REV B1		
3 PLC ±0.100				CUSTOMER DRAWING			
4 PLC ±0.0500							
ANGLES ±0.50°							
FINISH							