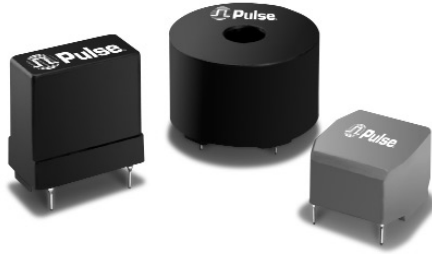





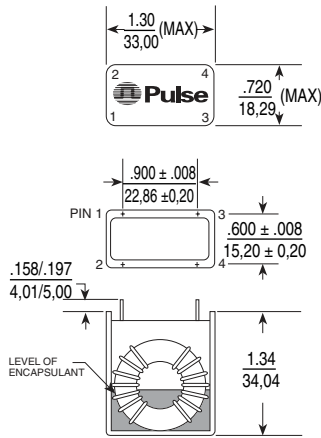
500 kHz COMMON MODE EMI INDUCTORS



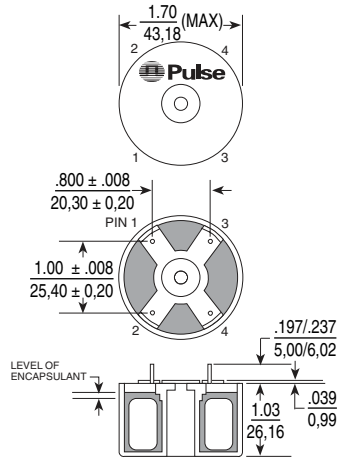
-  Common mode EMI Inductors
-  Designed for higher frequency power conversion
-  For use in SMPS input filtering circuits

Mechanicals

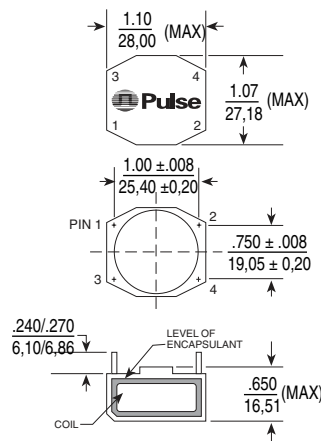
CASE 1¹



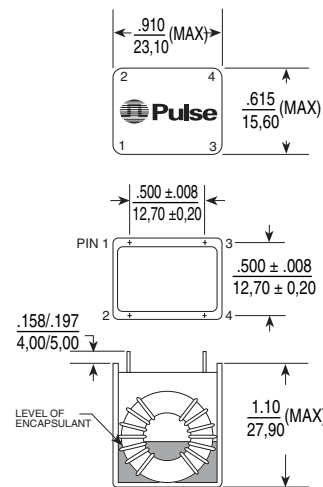
CASE 2²



CASE 3¹



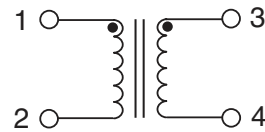
CASE 4¹



Elect. Specs. @ 25°C— Operating Temp. -40° to +130° C

Part Number	Rated RMS Current (A.Normal)	Inductance mH (± 30%)	DCR (Ω MAX)	Case Style	Leakage Inductance (MIN/MAX μH)
PE-96161	0.5	33	1.40	3	160/320
PE-96165	1.0	18	0.50	1	120/320
PE-96166	1.0	5.6	0.30	3	30/60
PE-96168	2.0	15	0.29	1	100/220
PE-96173	3.15	5.6	0.10	1	40/80
PE-96175	3.15	3.3	0.07	3	15/35
PE-96177	3.15	2.2	0.06	3	10/20
PE-96178	3.15	1.2	0.04	3	6/15
PE-96179	3.15	1.2	0.04	4	5/14
PE-96181	5.0	3.9	0.06	1	25/60
PE-96186	6.3	2.7	0.04	1	20/45
PE-96187	8.0	3.3	0.033	2	20/45
PE-96188	10.0	1.8	0.02	2	10/25
PE-96189	12.5	1.5	0.015	2	10/20
PE-96190	15.0	1.0	0.01	2	7/15

Schematic



- NOTES:** 1. Leads have $\frac{.031/.039}{.700/.900}$ diameter.
 2. Self-leaded: **96187** has .036 nom. diameter leads.
96188 & 96189 have .045 nom. diameter leads.
96190 has .051 nom. diameter leads.

Dimensions: $\frac{\text{Inches}}{\text{mm}}$ Unless otherwise specified, all tolerances are $\pm \frac{.010}{0,25}$

For More Information :

UNITED STATES (Worldwide)

12220 World Trade Drive
 San Diego, CA 92128
 U.S.A.
<http://www.pulseeng.com>
 TEL: 858 674 8100
 FAX: 858 674 8262

UNITED KINGDOM (Northern Europe)

1 & 2 Huxley Road
 The Surrey Research Park
 Guildford, Surrey GU2 5RE
 United Kingdom
 TEL: 44 1483 401700
 FAX: 44 1483 401701

FRANCE (Southern Europe)

Zone Industrielle
 F-39270
 Orgelet
 France
 TEL: 33 3 84 35 04 04
 FAX: 33 3 84 25 46 41

SINGAPORE (Southern Asia)

150 Kampong Ampat
 #07-01/02
 KA Centre
 Singapore 368324
 TEL: 65 6287 8998
 FAX: 65 6280 0080

TAIWAN, R.O.C. (Northern Asia)

3F-4, No. 81, Sec. 1
 HsinTai Wu Road
 Hsi-Chih, Taipei Hsien
 Taiwan, R.O.C.
 Tel: 886 2 2698 0228
 FAX: 886 2 2698 0948

HONG KONG (China/Hong Kong)

9/F, Phase 2, Tai Sang
 Shatin Warehouse Centre
 6 Wong Chuk Yeung Street
 Fotan, Shatin, Hong Kong
 TEL: 852 2788 6588
 FAX: 852 2776 1055

DISTRIBUTOR

Performance warranty of products offered on this data sheet is limited to the parameters specified. Data is subject to change without notice. Other brand and product names mentioned herein may be trademarks or registered trademarks of their respective owners.