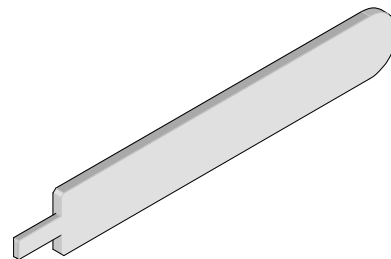




# TPA Removal Tool Instruction Sheet Order No. 63813-5000



## FEATURES

- This TPA Removal Tool is to unlock the TPA for 98897 Series receptacle terminals from NSCC connector 98977 series.
- For terminal extraction use: 63813-3800 for single latch housings, 63813-4800 for double latch housings.

## SCOPE

**Products:** NSCC 1.50mm Receptacle Terminals for NSCC connector.

Terminal Series No.	Terminal Order No.		
98897	98897-1109	98897-1119	98897-1129

## OPERATION:

To unlock the TPA from the NSCC connector, follow the steps below:

1. The TPA secondary lock in the NSCC connector will need to be unlocked and removed before extracting any crimped terminals from the housing.
2. This is done by inserting the tip of the removal tool into the outer slot of the housing (position 1) and push in until it stops. Remove the tool.
3. Next insert the tip of the removal tool into the opposite side slot and push in until it stops (position 2). See Figure 1.

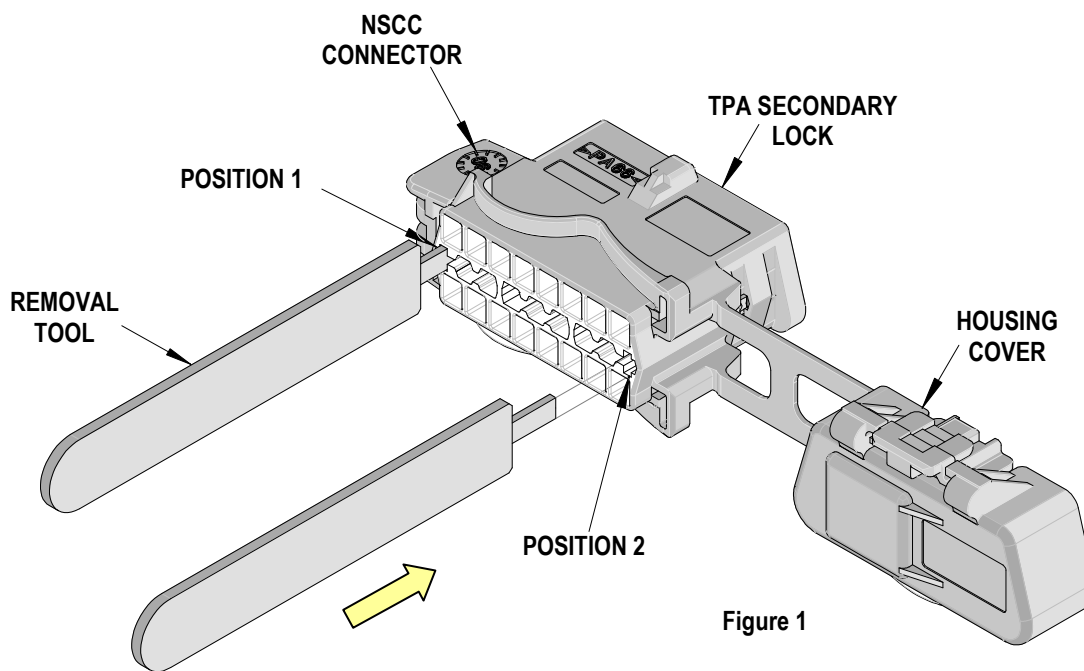


Figure 1

4. The TPA secondary is now in unlock position. See Figure 2.
5. Pull and remove the TPA secondary out of the housing.

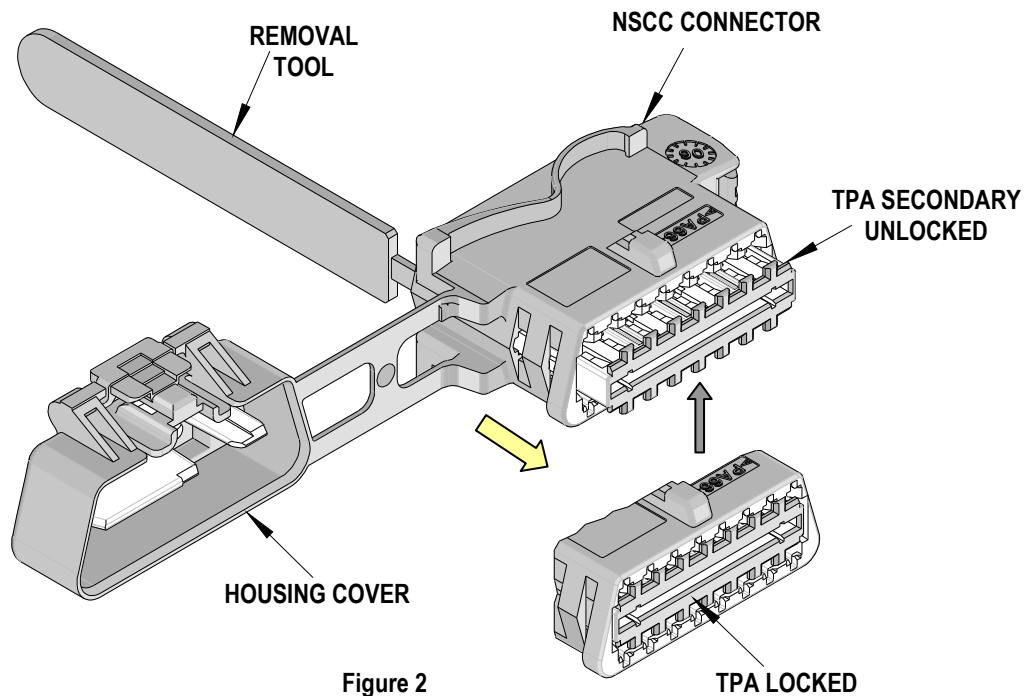


Figure 2

6. Perform the terminal extraction out of the housing if required (see Features for correct type of extractor tool to use).

Molex does not offer repair parts for TPA Removal Tools due to the inexpensive nature of these tools.

**Americas Headquarters**  
Lisle, Illinois 60532 U.S.A.  
1-800-78MOLEX  
amerinfo@molex.com

**Far East North Headquarters**  
Yamato, Kanagawa, Japan  
81-462-65-2324  
feninfo@molex.com

**Far East South Headquarters**  
Jurong, Singapore  
65-6-268-6868  
fesinfo@molex.com

**European Headquarters**  
Munich, Germany  
49-89-413092-0  
eurinfo@molex.com

**Corporate Headquarters**  
2222 Wellington Ct.  
Lisle, IL 60532 U.S.A.  
630-969-4550  
Fax: 630-969-1352

Visit our Web site at <http://www.molex.com>