

LC DUPLEX PC MULTIMODE ADAPTOR
ZIRCONIA ALIGNMENT SLEEVE

Packaging
100

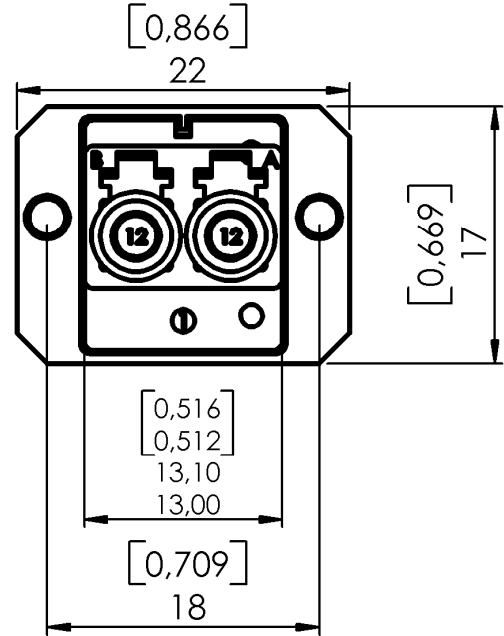
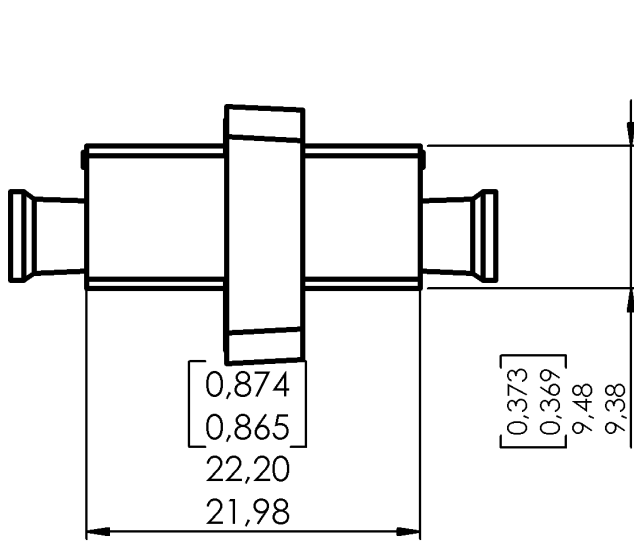
Series
LC

Issue
05/02/2011

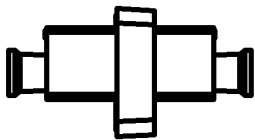
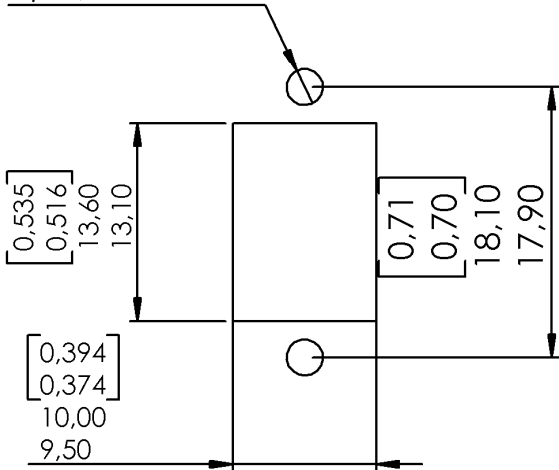
Page
1 / 2

Adaptor : color AQUA

Duplex

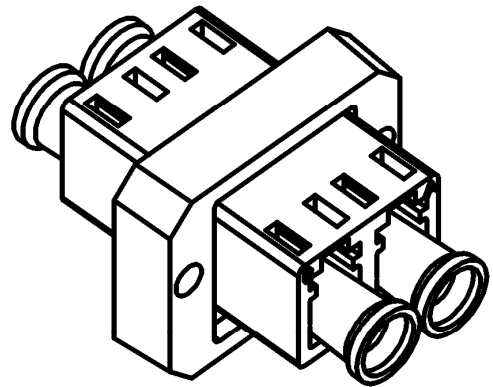


Ø2,40 or M2 PANEL PIERCING



Scale : 1/1

- Contents :
- Low profile duplex adaptor
 - Receptacle dust cap
 - Sleeve



Original dimensions in mm [inch]

LC DUPLEX PC MULTIMODE ADAPTOR
ZIRCONIA ALIGNMENT SLEEVEPackaging
100Series
LCIssue
05/02/2011Page
2 / 2

Adaptor : color AQUA

Duplex

GENERAL

- TYPE** IEC 61754-20 (LC)
RJ-45 latching system
Receptacle color : AQUA
- MOUNTING** Snap-in mounting
Max. panel thickness 1.7 mm
- ALIGNMENT SLEEVE** Zirconia

CHARACTERISTICS (Depending on fibre or cable construction)

- MATERIAL** Plastic molded : Material in accordance with TELCORDIA GR-326 CORE
Inflammability V0 (UL 94)
- MECHANICAL** Durability 200 cycles
Plug Retention 68 N
- ENVIRONMENTAL** Storage temperature range -40 °C to +85 °C
Operating temperature range -40 °C to +70 °C
- PROOF TEST** Straight pull 68 N
Side pull 23 N
- VIBRATION TEST** 10 to 55 Hz, 1,5 mm (peak to peak), 2 Hr/axis

(Performance and specification : see document GEN - F727 001)