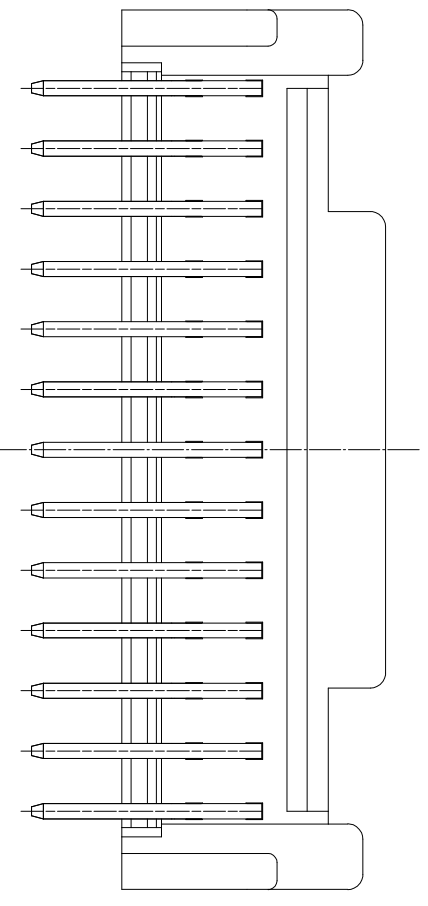
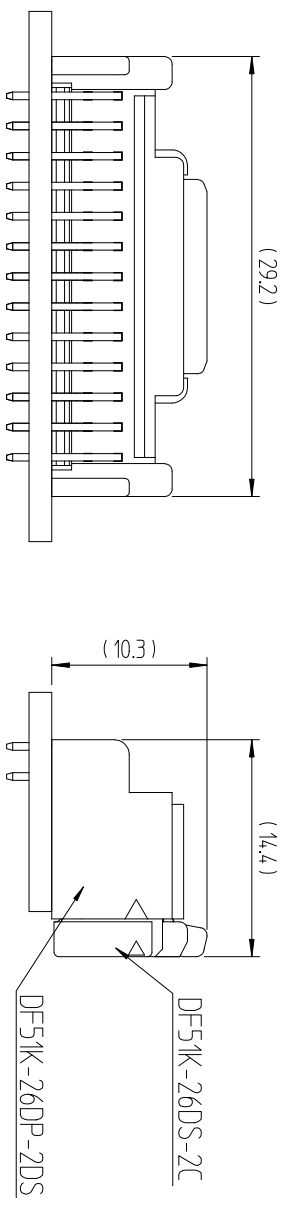
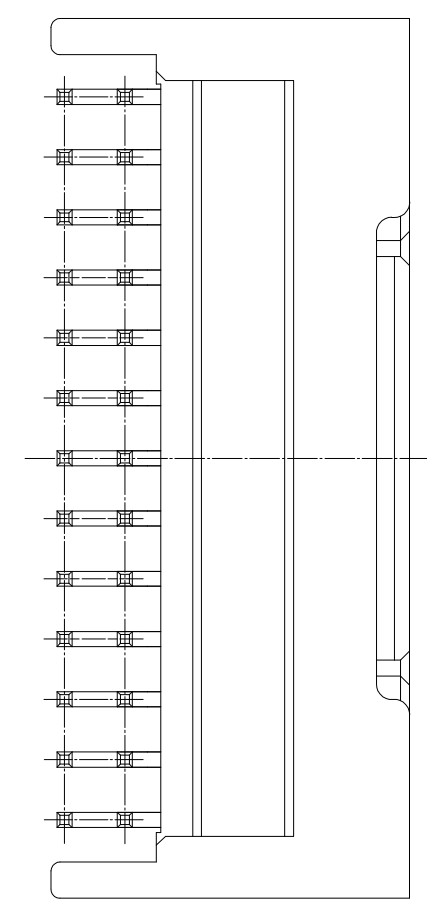
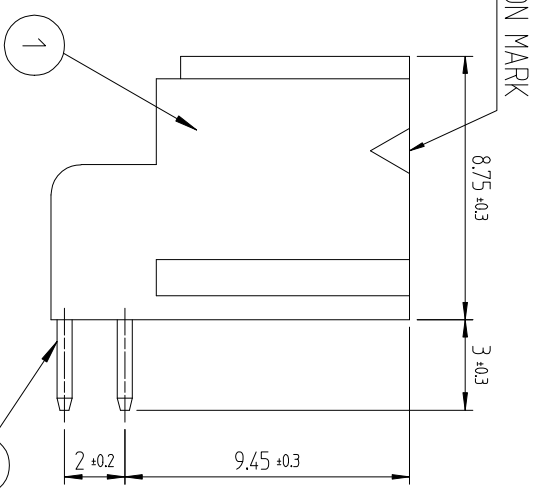
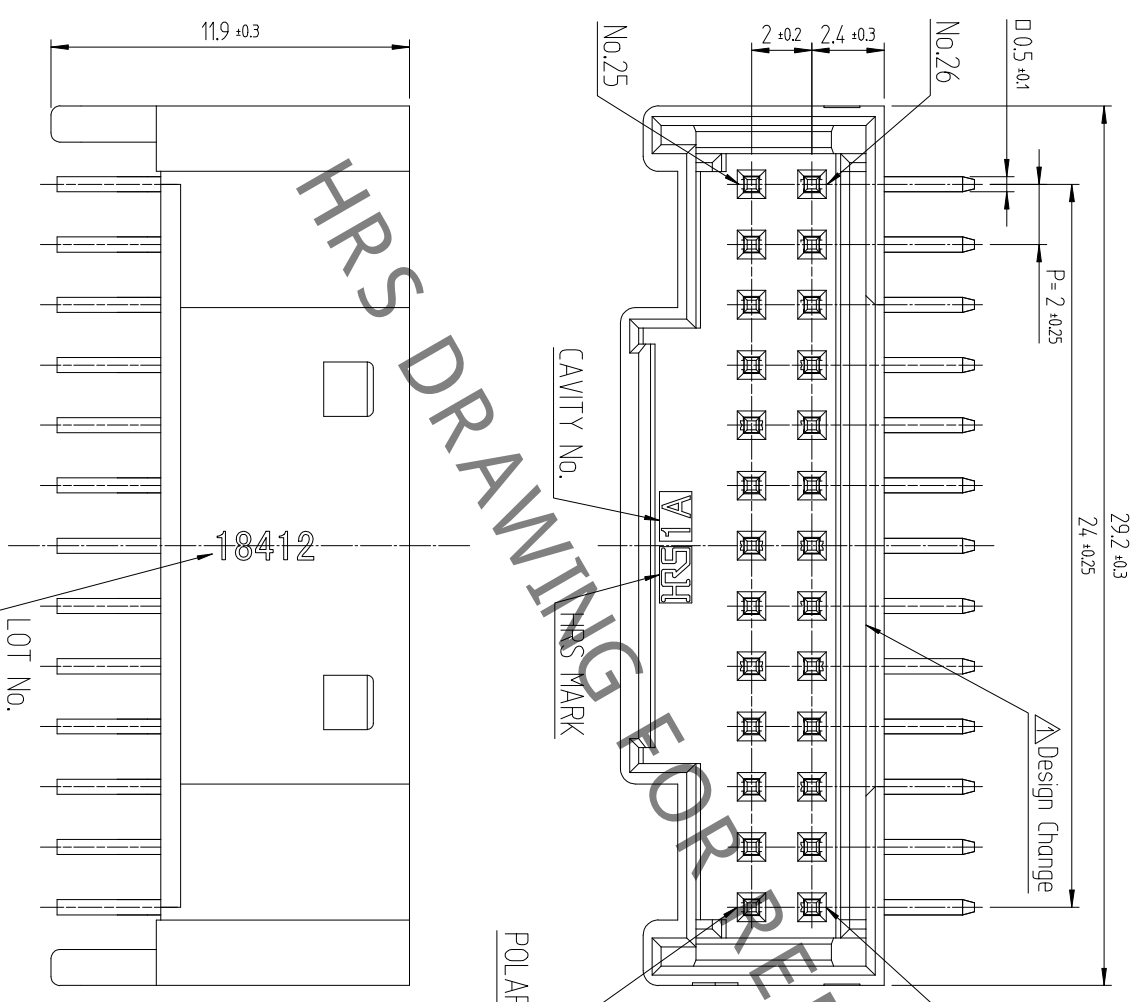
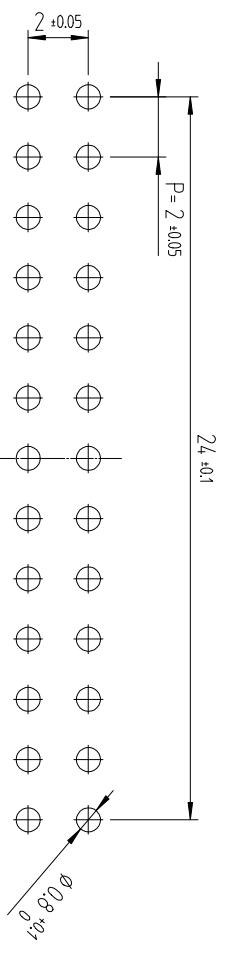


△数	訂正事項	檢圖	年月日	△数	訂正事項	檢圖	年月日
COUNT	DESCRIPTION OF REVISIONS	CHKD	DATE	COUNT	DESCRIPTION OF REVISIONS	CHKD	DATE
1	RE-6-1150	K.I.Y	18. 07. 04				
2	RE-6-1579	K.I.Y	20. 01. 23				

RECOMMENDED LAND PATTERN (FREE)  
 (PCB THICKNESS t=1.6mm)



NOTE 1. 1PACK CONTAINS 100PCS.

2. ( ) DIMENSIONS ARE ONLY REFERENCE.
- △ 3. UL(ULFile No. E132750) AUTHORIZATION ARTICLE.  
 C-UL(ULFile No. E132750) AUTHORIZATION ARTICLE.



NO. 1	PBT	UL94V-0, BLACK	NO. 2	BRASS	GOLD PLATING 0.1μm MIN, OVER NICKEL 0.5μm MIN
MATERIAL		FINISH/REMARKS	MATERIAL		FINISH/REMARKS
DRAWN		DESIGNED	CHECKED		APPROVED
CHOI (18.03.02) J.S		CHOI (18.03.02) J.S	LIM (18.03.02) S.M		KANG (18.03.02) T.S
DRAWING NO.		PART NO.		RELEASED	
EDC3-632487		DF51K-26DP-2DS (805)		ENG (20.02.12) DEPT	
SCALE		CODE NO.		DATE	
4:1		CL 6652-0047-2-805		1/1	
UNITS		MM			