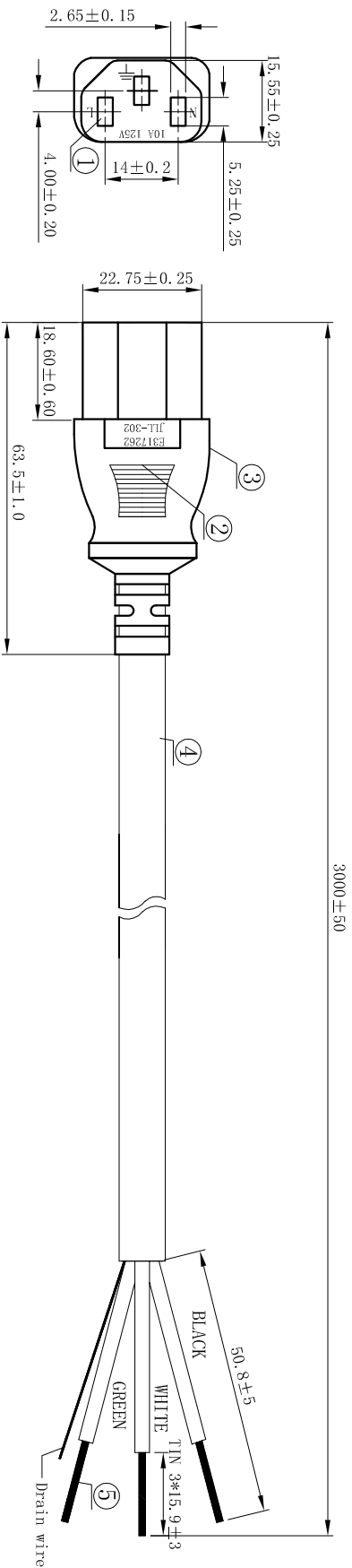


Cnc Tech, LLC

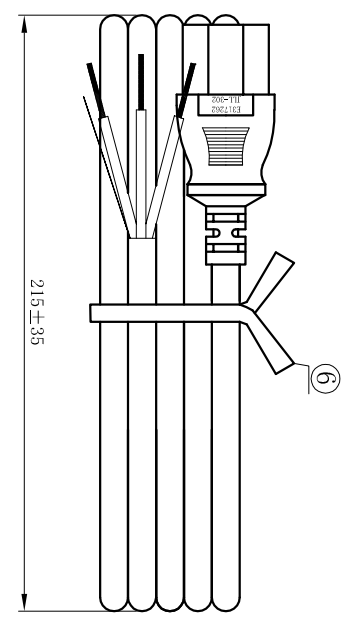
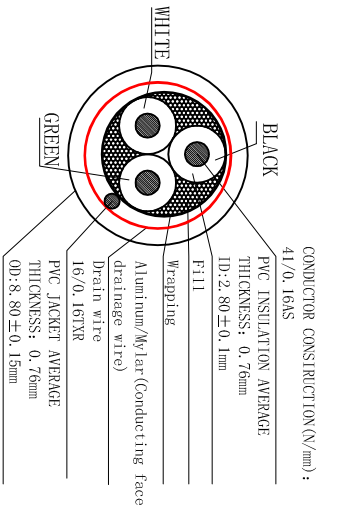
Industrial Cable and Connector Technology

Engineer drawing

PART NO.	JLL-302 WIRE	SCALE	1 : 1
DESCRIPTION	SJT#18*3C 60C SHIELDED	UNIT:	mm
DWG No.	800-1809-0-SJT0-BL-00300		



- NOTES:
- 1) JACKET COLOR: BLACK
 - 2). E-GREEN; L-BLACK; N-WHITE
- TESTING:
- 1) 100% OPEN & SHORT TESTING
 - 2) INSULATION RESISTANCE: 100M ohm (min)
 - 3) VOLTAGE: DC500V/1min
 - 4) ROHS COMPLIANT



NO.	SPECIFICATION	COLOUR	MATERIAL	AMOUNT
①	Play home terminal 98740	Silver	Cu	3P
②	Model aircraft 8745AND	WHITE	PBT	1PCS
③	Mother Play JLL-302	BLACK	PVC Cu	1PCS
④	Wire SJT 18AWG/3C 60°C	BLACK	PVC Cu	1PCS
⑤	Tin	Silver	Article tin	3PCS
⑥	Ties	BLACK		1PCS

Printing the contents of wire The use of printing ink replenish Wire

E243711 (UL) SJT 3 X 18AWG(0.824mm²) VW-1 SHIELDED 60 °C 300V CSA 228191 SJT 3 X 18AWG(0.824mm²) FT2 SHIELDED 60 °C 300V -UL-