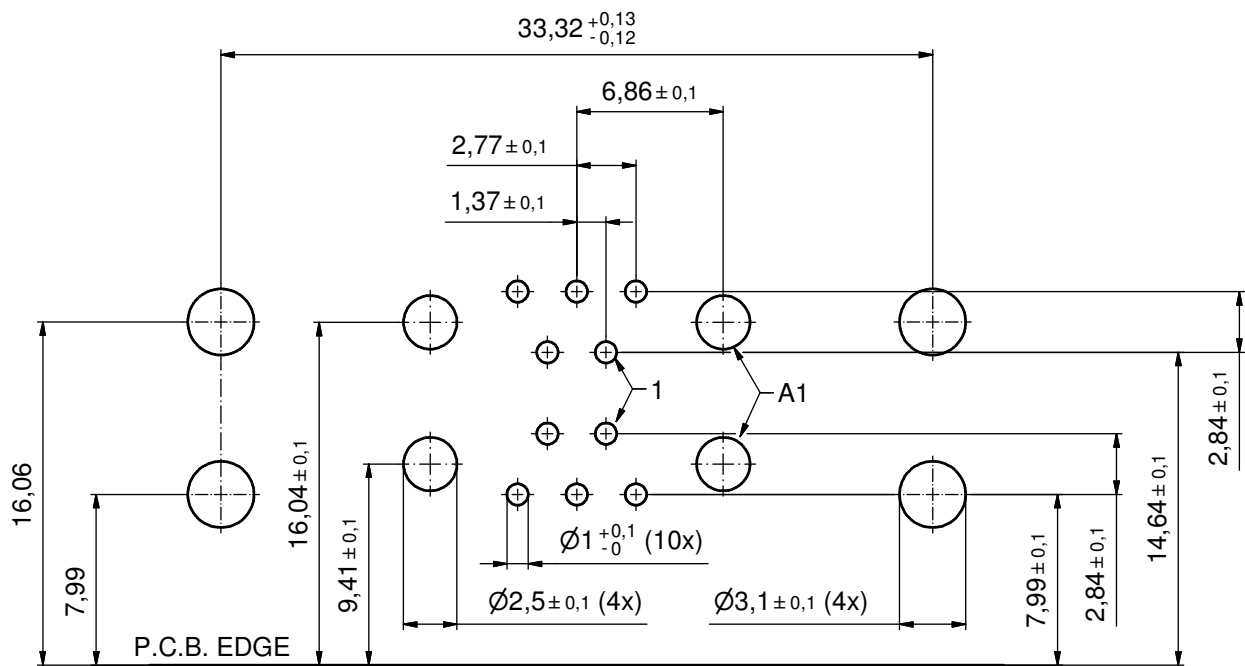



NOTES:

1. METALSHELLS: STEEL; min. 315µm TIN over 40-80µm NICKEL
2. INSULATORS: PBT GF UL 94 V-0, GREEN
3. HIGH POWER CONTACTS 20A: COPPER ALLOY
PLATING, MATING AREA: GOLD FLASH over NICKEL
PLATING, TERMINATION SIDE: 160-240µm TIN over 80µm NICKEL
4. SIGNAL CONTACTS: COPPER ALLOY
PLATING: GOLD FLASH over NICKEL
5. METAL BRACKETS: ZINC DIE CAST; 300µm COPPER/40-120µm NICKEL/120-200µm TIN
6. THREADED INSERTS: COPPER ALLOY; min. 200µm TIN over 80µm NICKEL
7. FIXING-PLATES: PBT GF UL 94 V-0, BLACK
8. P.C.B. HOLE DRILLINGS ON SHEET 2
9. MAXIMUM TORQUE VALUE FOR THREAD: 6 in.LB
10. CONNECTOR IS PART MARKED: **13-001073 CONEC ABC**

Directive 2002/95/EC RoHS compliant

THIS DRAWING MAY NOT BE COPIED OR REPRODUCED IN ANY WAY, AND MAY NOT BE PASSED ON TO A THIRD PARTY WITHOUT WRITTEN PERMISSION. OWNERSHIP AND COPYRIGHT OF CONEC GmbH DO NOT ALTER CAD DRAWING BY HAND	tolerance		dim. in mm	scale: 2:1		
				material: see notes		
	drawn	01.07.13	Henneboel	title: D-SUB COM. DUAL PORT 19,05mm / Male 7W2P reverse / Female 7W2S with threaded insert, metal bracket, fixing-plate		
	appd.	01.07.13	Koch			
norm			dwg no:			
d-old			13K1A4363			
rev.	a	Original				
description			part no: 13-001073			
date			DIN-A3 sh: 1/2			
name						



THIS DRAWING MAY NOT BE COPIED OR REPRODUCED IN ANY WAY, AND MAY NOT BE PASSED ON TO A THIRD PARTY WITHOUT WRITTEN PERMISSION. OWNERSHIP AND COPYRIGHT OF CONEC GmbH DO NOT ALTER CAD DRAWING BY HAND				tolerance		scale: 2:1
				dim. in mm		material: see sheet 1
	drawn	date	name	title:		
	appd.	01.07.13	Henneboel	P.C.B. HOLE DRILLINGS		
	norm		Koch	D-SUB Combination Dual Port 19,05mm Male 7W2P reverse / Female 7W2S		
rev.	a	Original	dwg no: 13K1A4363			DIN-A3
			part no: SEE SHEET 1			sh: 2/2

