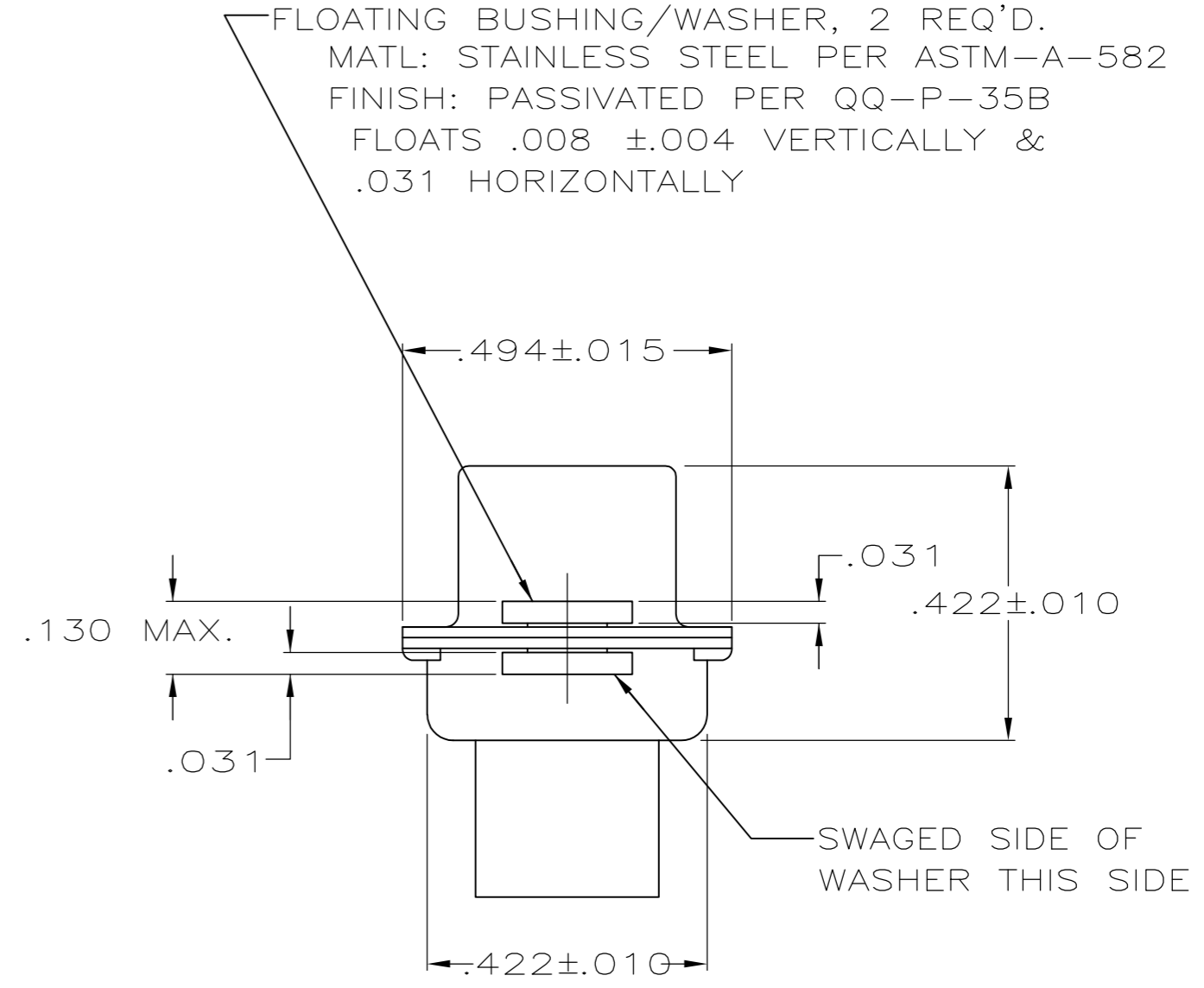
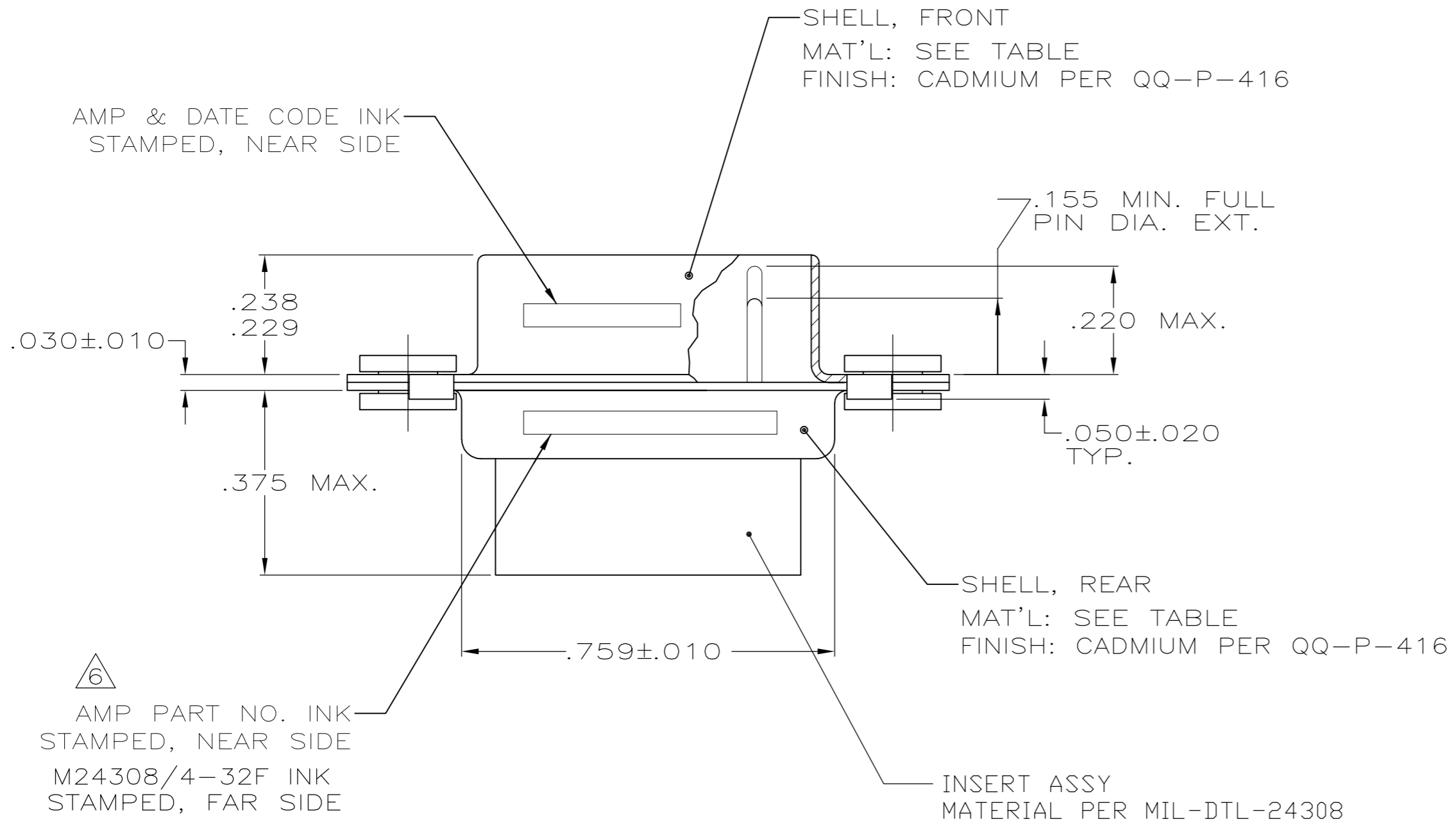
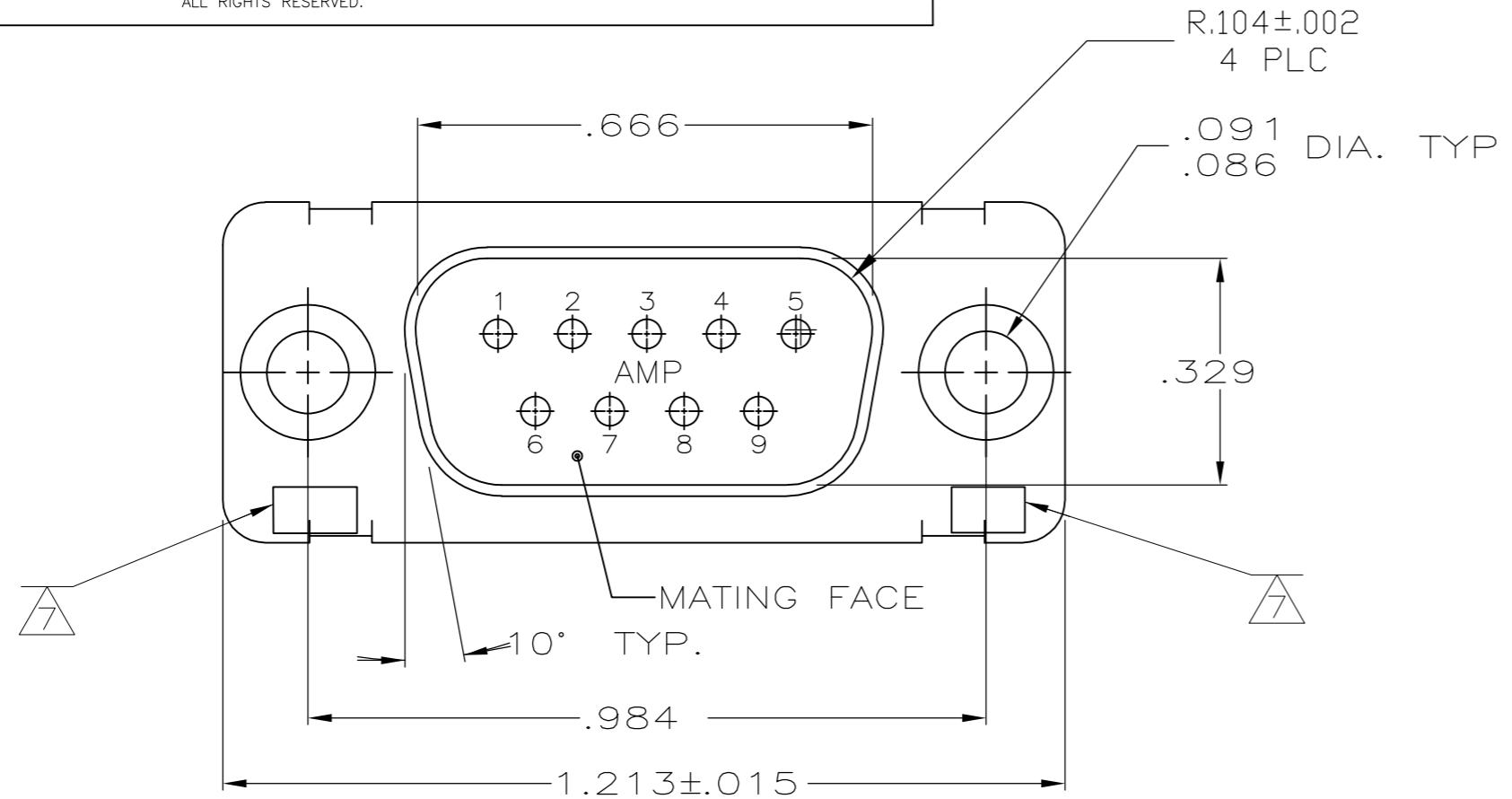


THIS DRAWING IS UNPUBLISHED. RELEASED FOR PUBLICATION  
 © COPYRIGHT - By - ALL RIGHTS RESERVED.

LOC		DIST		REVISIONS			
P	LTR	DESCRIPTION		DATE	DWN	APVD	
-	-	P	P	REV PER ECO-15-016062	10NOV15	KG	CD



- THIS PLUG IS DESIGNED TO CONFORM TO THE LATEST ISSUE OF MIL-C-24308
  - MAX WIRE INSUL. TO BE USED WITH THIS PLUG IS .068 DIA.
  - STAINLESS STEEL RETENTION CLIPS ARE INCLUDED IN INSERTS
  - PACKAGE STAMPED M 24308/4-325F
  - THIS PLUG WILL ACCEPT SIZE 20 PIN CONTACT M24308/11 OR AMP # 205089
- AMP PART NO. STAMPED ON CONNECTOR REPRESENTS KIT NUMBER WITH CONTACTS  
 UL/CSA DESIGNATION STAMPED IN THIS AREA.

OBSOLETE	BRASS	205412-2
	STL PER ASTM-A-109	205412-1
	SHELL MATL.	PART NO.

THIS DRAWING IS A CONTROLLED DOCUMENT.		DWN	12-8-87	C.C.THOMAS	
DIMENSIONS: INCHES		CHK	12-10-87	FC BALLEW III	
TOLERANCES UNLESS OTHERWISE SPECIFIED:		APVD	-	NAME	
0 PLC ± -		PRODUCT SPEC	-	TE Connectivity	
1 PLC ± -		APPLICATION SPEC	-	PLUG ASSY,AMPLITE,SIZE 1	
2 PLC ± -		WEIGHT	-	SERIES 109 W/FLOAT BUSHINGS	
3 PLC ± .005		SCALE	4:1	SHEET 1 of 1	
4 PLC ± -		CUSTOMER DRAWING		REV P	
ANGLES ± -					
FINISH					
SEE CALLOUTS					