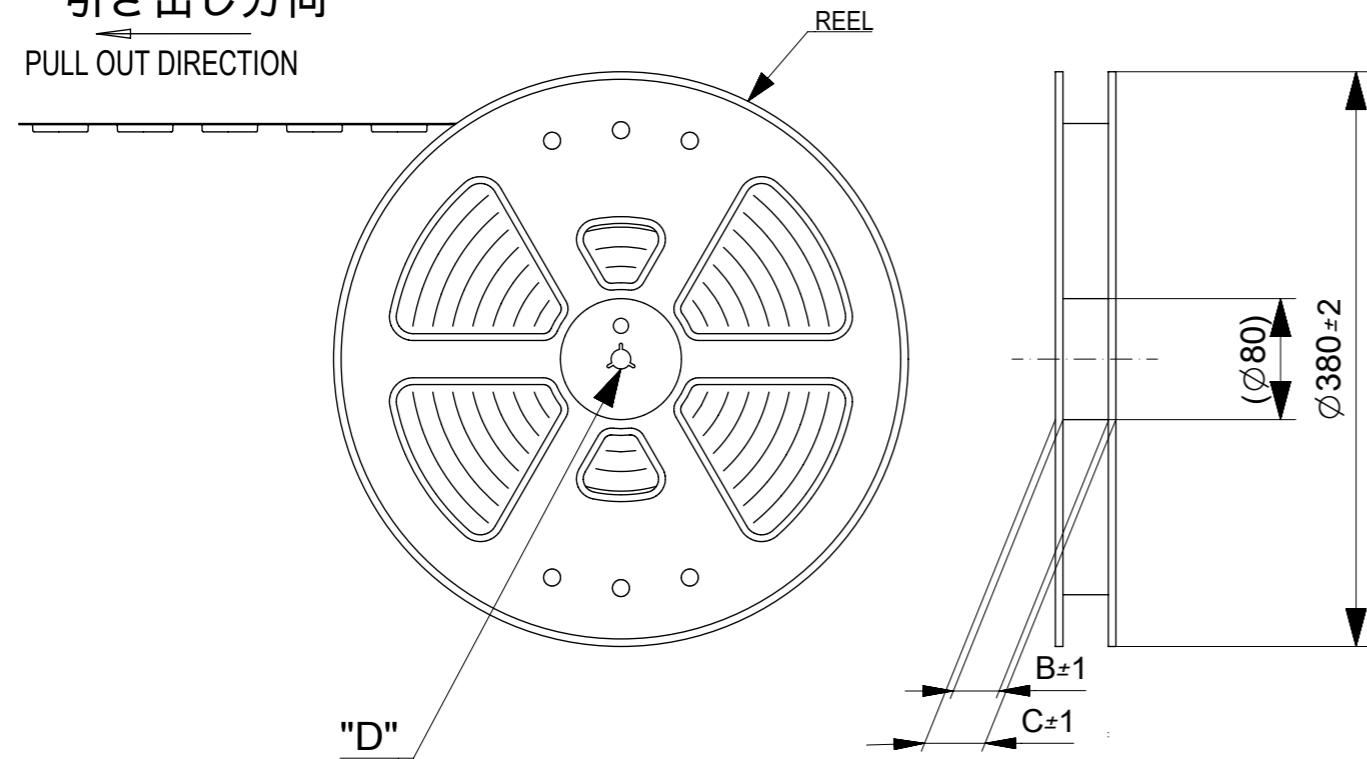
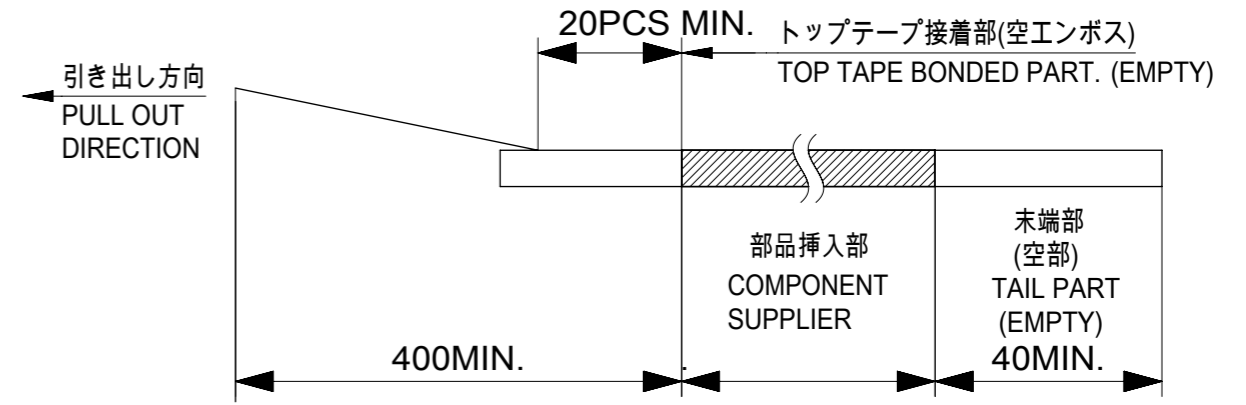


引き出し方向  
PULL OUT DIRECTION

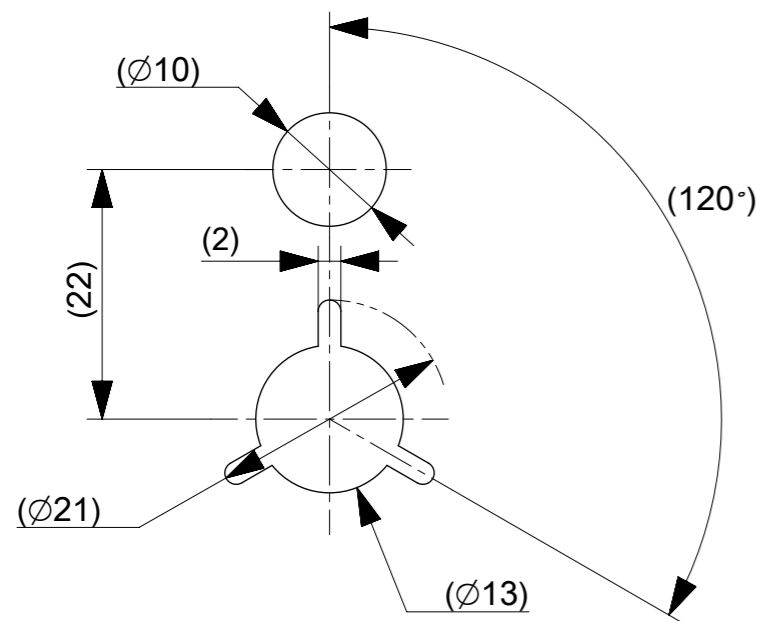


注記 NOTES

- 製品詳細寸法については製品単体図面を参照下さい。  
RE DETAILED DIMENSION, SEE PRODUCT DRAWING.
- 梱包数量：7000個 / リール  
NUMBER OF CONNECTORS : 7000 PCS/REEL.
- リードテープ長さ LEAD TAPE LENGTH.



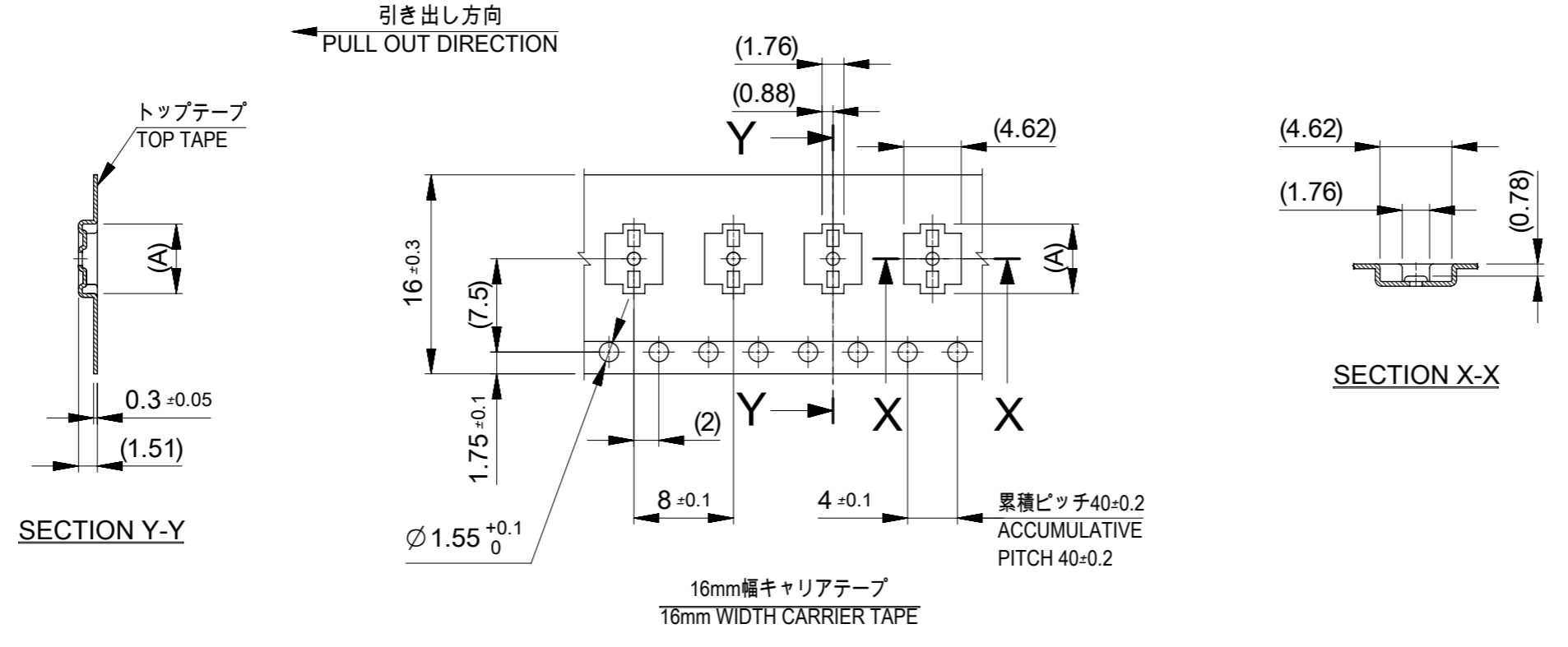
- カバーテープの剥離強度については、IEC60286-3に準拠。  
COVER TAPE PEEL FORCE IS DEFINED BY IEC60286-3.
- 材料 MATERIAL  
キャリアテープ(CARRIER TAPE) : ポリスチレン(POLYSTYRENE)  
トップテープ(TOP TAPE) : PET, OTHER  
リール(REEL) : ポリスチレン(PS) <リサイクル材を含む>  
POLYSTYRENE(PS) < RECYCLE MATERIAL CONTAINED >



DETAIL "D"

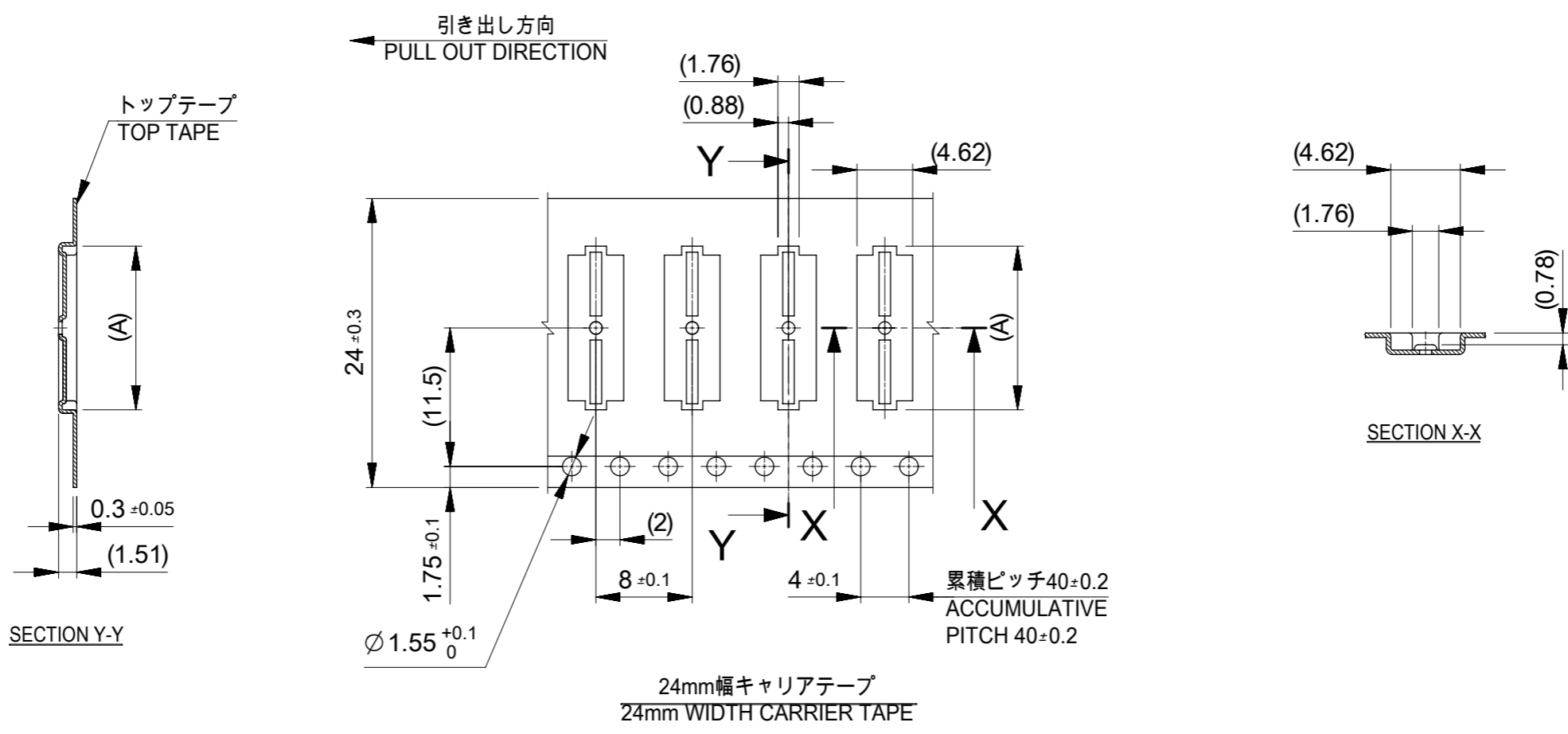
MODEL No. 505551-\*\*20

THIS DRAWING CONTAINS INFORMATION THAT IS PROPRIETARY TO MOLEX ELECTRONIC TECHNOLOGIES, LLC AND SHOULD NOT BE USED WITHOUT WRITTEN PERMISSION		CURRENT REV DESC:		<b>molex</b>		
DIMENSION UNITS	SCALE					
mm	NTS			PRODUCT CUSTOMER DRAWING		
GENERAL TOLERANCES (UNLESS SPECIFIED)		EC NO: 170751		DOCUMENT NUMBER		
ANGULAR TOL	± 3.0 °	DRWN: JFURUKAWA 2018/01/11		5055510000		
4 PLACES	± 0.03	CHK'D: YNAITO 2018/01/18		DOC TYPE	DOC PART	REVISION
3 PLACES	± 0.03	APPR: TKUSUHARA01 2018/01/18		PSD	001	C
2 PLACES	± 0.05	INITIAL REVISION:		SHEET NUMBER		
1 PLACE	± 0.1	DRWN: JFURUKAWA 2017/04/06		1 OF 3		
0 PLACES	± 0.2	APPR: TKUSUHARA01 2017/04/14				
DRAFT WHERE APPLICABLE MUST REMAIN WITHIN DIMENSIONS		THIRD ANGLE PROJECTION	DRAWING	SERIES	MATERIAL NUMBER	CUSTOMER
			A3-SIZE	505551	SEE CHART	GENERAL



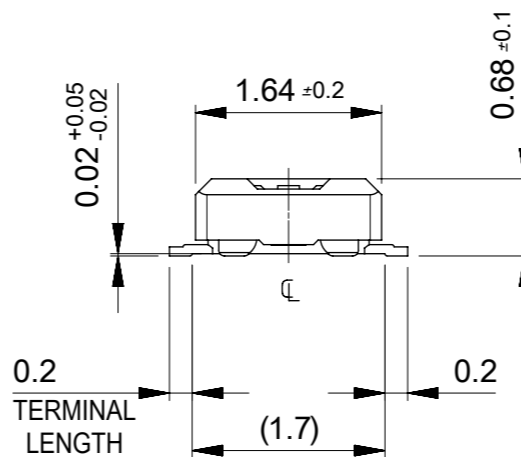
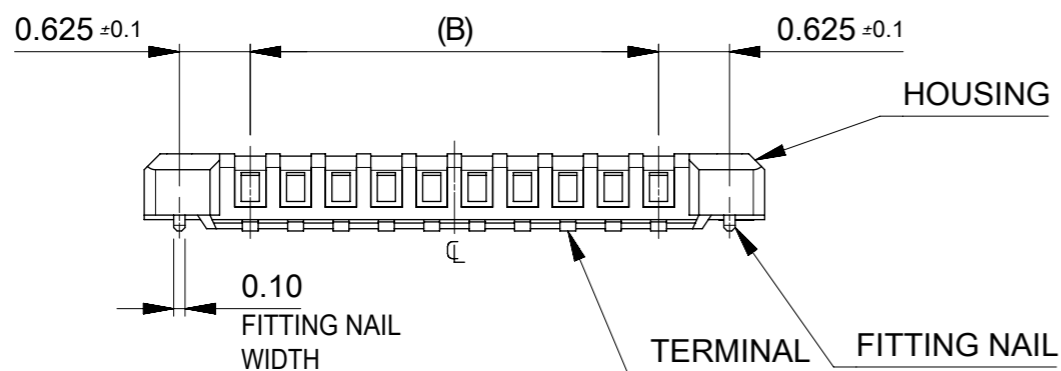
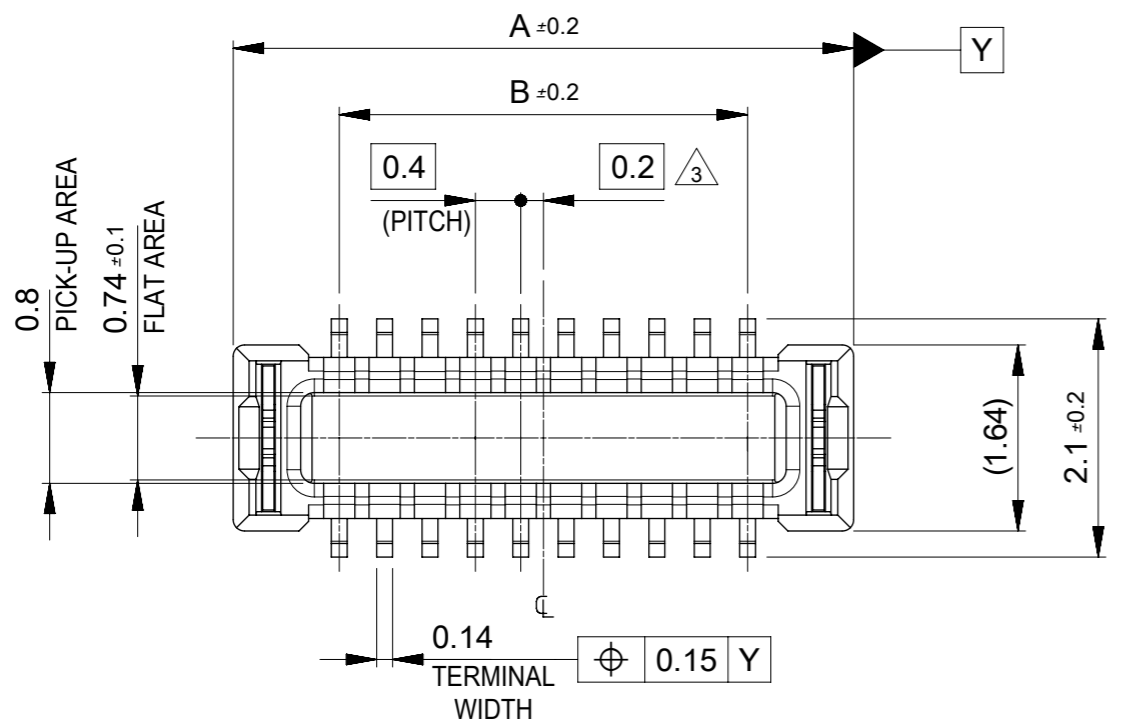
16	21.4	17.4	6.39	5055512420	24
			5.59	5055512020	20
			4.79	5055511620	16
			3.59	5055511020	10
キャリアテープ幅 CARRIER TAPE WIDTH		C	B	(A)	MATERIAL NO. CKT.
					MODEL NO. 505551-**20

THIS DRAWING CONTAINS INFORMATION THAT IS PROPRIETARY TO MOLEX ELECTRONIC TECHNOLOGIES, LLC AND SHOULD NOT BE USED WITHOUT WRITTEN PERMISSION					
DIMENSION UNITS	SCALE	CURRENT REV DESC:			
mm	NTS	<p><b>molex</b></p> <p>0.4 BB CONN. HGT=0.8 PLUG ASSY</p> <p>PRODUCT CUSTOMER DRAWING</p>			
GENERAL TOLERANCES (UNLESS SPECIFIED)					
ANGULAR TOL	± 3.0 °				
4 PLACES	± 0.03				
3 PLACES	± 0.03				
2 PLACES	± 0.05	INITIAL REVISION:		DOCUMENT NUMBER	DOC TYPE
1 PLACE	± 0.1	DRWN: JFURUKAWA 2017/04/06		5055510000	PSD
0 PLACES	± 0.2	APPR: TKUSUHARA01 2017/04/14		001	C
DRAFT WHERE APPLICABLE MUST REMAIN WITHIN DIMENSIONS	THIRD ANGLE PROJECTION	DRAWING	SERIES	MATERIAL NUMBER	CUSTOMER
		A3-SIZE	505551	SEE CHART	GENERAL
					SHEET NUMBER
					2 OF 3



24	29.4	25.4	11.59	5055515020	50
			9.59	5055514020	40
			8.39	5055513420	34
			7.59	5055513020	30
キャリアテープ幅 CARRIER TAPE WIDTH		C	B	(A)	MATERIAL NO. CKT.
				MODEL NO.	505551-*20

THIS DRAWING CONTAINS INFORMATION THAT IS PROPRIETARY TO MOLEX ELECTRONIC TECHNOLOGIES, LLC AND SHOULD NOT BE USED WITHOUT WRITTEN PERMISSION					
DIMENSION UNITS	SCALE	CURRENT REV DESC:			
mm	NTS	<p><b>molex</b></p> <p>0.4 BB CONN. HGT=0.8 PLUG ASSY</p> <p>PRODUCT CUSTOMER DRAWING</p> <p>DOCUMENT NUMBER: 5055510000   DOC TYPE: PSD   DOC PART: 001   REVISION: C</p> <p>MATERIAL NUMBER: SEE CHART   CUSTOMER: GENERAL   SHEET NUMBER: 3 OF 3</p>			
GENERAL TOLERANCES (UNLESS SPECIFIED)					
ANGULAR TOL	± 3.0 °				
4 PLACES	± 0.03				
3 PLACES	± 0.03				
2 PLACES	± 0.05				
1 PLACE	± 0.1				
0 PLACES	± 0.2				
DRAFT WHERE APPLICABLE MUST REMAIN WITHIN DIMENSIONS		THIRD ANGLE PROJECTION	DRAWING	SERIES	MATERIAL NUMBER
			A3-SIZE	505551	SEE CHART



注記 NOTES

1. 使用材料 MATERIAL

ハウジング:液晶ポリマー(LCP) UL94V-0(黒)  
 HOUSING : LIQUID CRYSTAL POLYMER UL94V-0 (COLOR : BLACK)  
 ターミナル : 銅合金  
 TERMINAL : COPPER ALLOY  
 金具 : 銅合金  
 FITTING NAIL : COPPER ALLOY

2. メッキ仕様 PLATING

ターミナル TERMINAL

金メッキ  
 GOLD  
 下地メッキ : ニッケルメッキ  
 UNDER PLATING : NICKEL  
 ※コンタクト部とテール部はニッケルメッキによって分断されている金メッキです。  
 DIVIDE INTO PARTS THE GOLD PLATING OF THE CONTACT AND THE TAIL PART BY THE NICKEL PLATING.

金具 FITTING NAIL

錫メッキ  
 Tin PLATING  
 下地メッキ : ニッケルメッキ  
 UNDER PLATING : NICKEL

△3. (全極数/2)=偶数の場合に適用。  
 APPLY FOR (CIRCUIT/2)=EVEN.

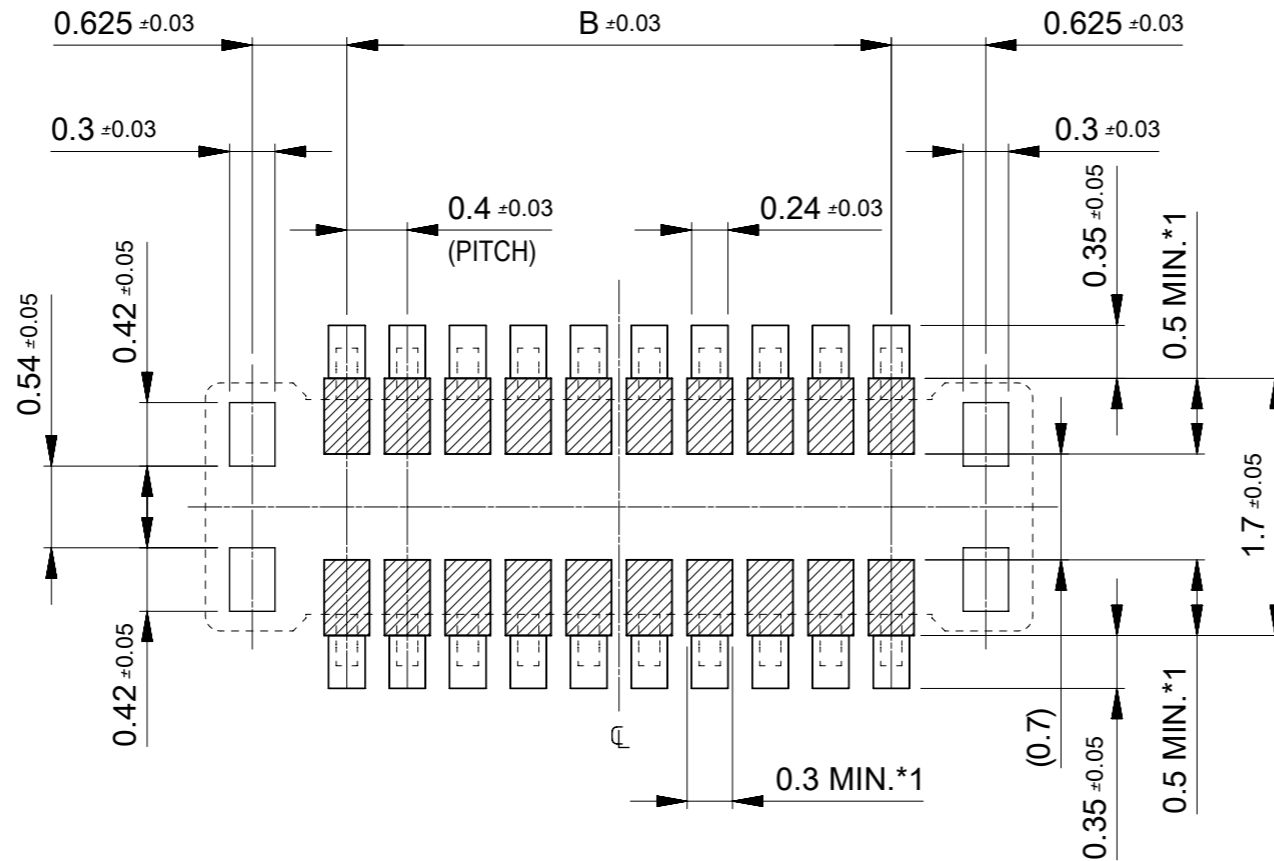
4. 嵌合相手 : 505550 シリーズ  
 MATE WITH : 505550 SERIES.

5. テール及び金具の平坦度は、0.08以下。  
 TAIL AND FITTING NAIL COPLANARITY TO BE 0.08 MAXIMUM.

6. ELV and RoHS COMPLIANT

9.6	11.47	5055515020	50
7.6	9.47	5055514020	40
6.4	8.27	5055513420	34
5.6	7.47	5055513020	30
4.4	6.27	5055512420	24
3.6	5.47	5055512020	20
2.8	4.67	5055511620	16
1.6	3.47	5055511020	10
B	A	EMBOSSED PACKAGE	極数
		オーダー番号 ORDER No.	CIRCUITS
		CONNECTOR SERIES No. : 505551	

THIS DRAWING CONTAINS INFORMATION THAT IS PROPRIETARY TO MOLEX ELECTRONIC TECHNOLOGIES, LLC AND SHOULD NOT BE USED WITHOUT WRITTEN PERMISSION						
DIMENSION UNITS	SCALE	CURRENT REV DESC:		<b>molex</b>		
mm	15:1					
GENERAL TOLERANCES (UNLESS SPECIFIED)		EC NO: 170751		0.4 BB CONN. HGT=0.8 W=2.5 PLUG ASSY		
ANGULAR TOL	± 3.0 °	DRWN: JFURUKAWA	2018/01/11	PRODUCT CUSTOMER DRAWING		
4 PLACES	± 0.03	CHK'D: YNAITO	2018/01/18	DOCUMENT NUMBER		
3 PLACES	± 0.03	APPR: TKUSUHARA01	2018/01/18	5055511000		
2 PLACES	± 0.05	INITIAL REVISION:		DOC TYPE	DOC PART	REVISION
1 PLACE	± 0.1	DRWN: JFURUKAWA	2017/08/03	PSD	002	B
0 PLACES	± 0.2	APPR: TKUSUHARA01	2017/08/31	SHEET NUMBER		
DRAFT WHERE APPLICABLE MUST REMAIN WITHIN DIMENSIONS		THIRD ANGLE PROJECTION	DRAWING	SERIES	MATERIAL NUMBER	CUSTOMER
			A3-SIZE	505551	SEE CHART	GENERAL



RECOMMENDED P.W. BOARD  
PATTERN LAYOUT

- \*1 パターン引き回し、および半田禁止エリア  
(当該箇所においては、これと接する回路以外の配線を禁止する。  
また、接する回路を配線する場合はレジストを施し、この部分に  
半田は無きこととする。)
- \*1 PROHIBITED AREA OF PATTERN WIRING AND SOLDER.  
(FOR EACH AREA, THE WIRING THAT TOUCHES ON THE SOLDER  
CAN BE ATTACHED, THEN COVERED WITH A FILM TO KEEP SOLDER OUT.)

THIS DRAWING CONTAINS INFORMATION THAT IS PROPRIETARY TO MOLEX ELECTRONIC TECHNOLOGIES, LLC AND SHOULD NOT BE USED WITHOUT WRITTEN PERMISSION									
DIMENSION UNITS <b>mm</b>		SCALE <b>20:1</b>		CURRENT REV DESC:				<b>molex</b>	
GENERAL TOLERANCES (UNLESS SPECIFIED)				EC NO: 170751					
ANGULAR TOL ± 3.0 °		4 PLACES ± 0.03		DRWN: JFURUKAWA 2018/01/11		0.4 BB CONN. HGT=0.8 W=2.5 PLUG ASSY			
3 PLACES ± 0.03		2 PLACES ± 0.05		CHK'D: YNAITO 2018/01/18		PRODUCT CUSTOMER DRAWING			
1 PLACE ± 0.1		0 PLACES ± 0.2		APPR: TKUSUHARA01 2018/01/18		INITIAL REVISION:		DOCUMENT NUMBER	
DRAFT WHERE APPLICABLE MUST REMAIN WITHIN DIMENSIONS		THIRD ANGLE PROJECTION		DRAWING		SERIES		MATERIAL NUMBER	
		A3-SIZE		505551		SEE CHART		CUSTOMER	
								SHEET NUMBER	
								2 OF 2	