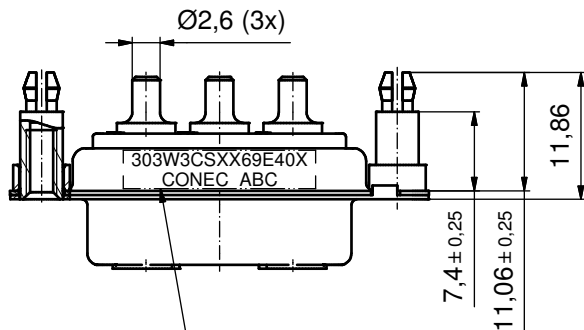
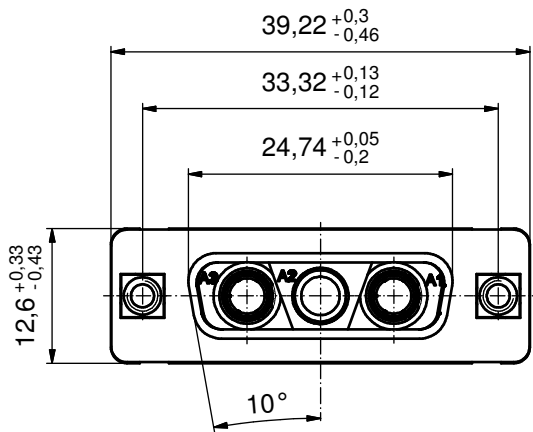
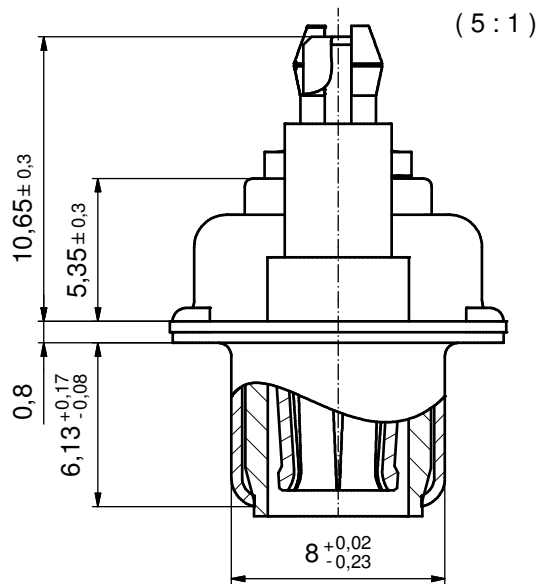
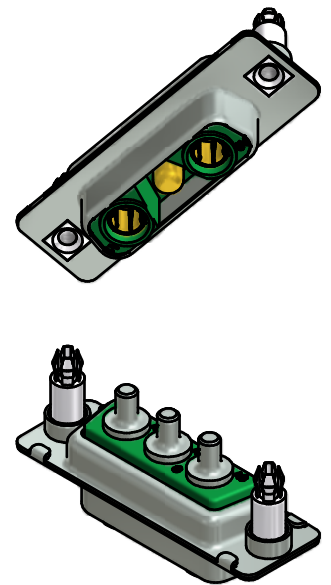


P.C.B. HOLE DRILLINGS  
(P.C.B. TOP SIDE)



SEE NOTE 7



NOTES:

- METALSHELLS: STEEL; min. 315µin TIN over 40-80µin NICKEL
- INSULATORS: PBT GF UL 94 V-0; GREEN
- HIGH POWER CONTACTS 20A: COPPER ALLOY  
PLATING MATING AREA: GOLD FLASH over NICKEL  
PLATING TERMINATION SIDE: 160-240µin TIN over 80µin NICKEL  
FEMALE CONTACT ON POS. A1 + A3; MALE CONTACT ON POS. A2
- THREADED SPACER CLIPS: COPPER ALLOY; min. 200µin TIN over 80µin NICKEL  
PCB-HOLE:  $\varnothing 3,1 \pm 0,1$ ; PCB THICKNESS 2,3mm
- COLLARS: COPPER ALLOY; min. 200µin TIN over 80µin NICKEL
- MAXIMUM TORQUE VALUE FOR THREAD: 6 in.LB
- CONNECTOR IS PART MARKED: **303W3CSXX69E40X CONEC ABC**

Directive 2002/95/EC RoHS compliant

THIS DRAWING MAY NOT BE COPIED OR REPRODUCED IN ANY WAY, AND MAY NOT BE PASSED ON TO A THIRD PARTY WITHOUT WRITTEN PERMISSION. OWNERSHIP AND COPYRIGHT OF CONEC GmbH DO NOT ALTER CAD DRAWING BY HAND				tolerance		scale: 2:1 (5:1)
				dim. in mm		material: SEE NOTES
				date	name	title: D-SUB COMBINATION FEMALE
				drawn 14.03.11	Henneboel	3W3CS
				appd. 14.03.11	Koch	with threaded spacer clip
				norm		dwg no:
				d-old		13K1A3611
				a	Origin	DIN-A3
				rev.	description	sh: 1
				date	name	part no: 303W3CSXX69E40X

**CONEC**®