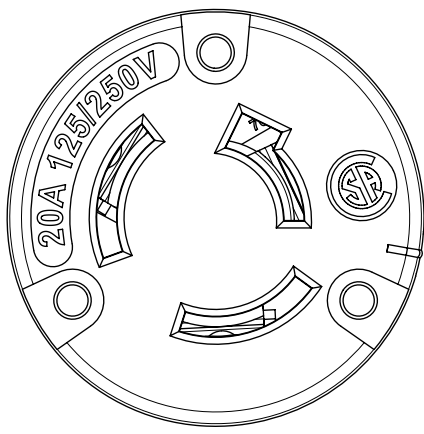
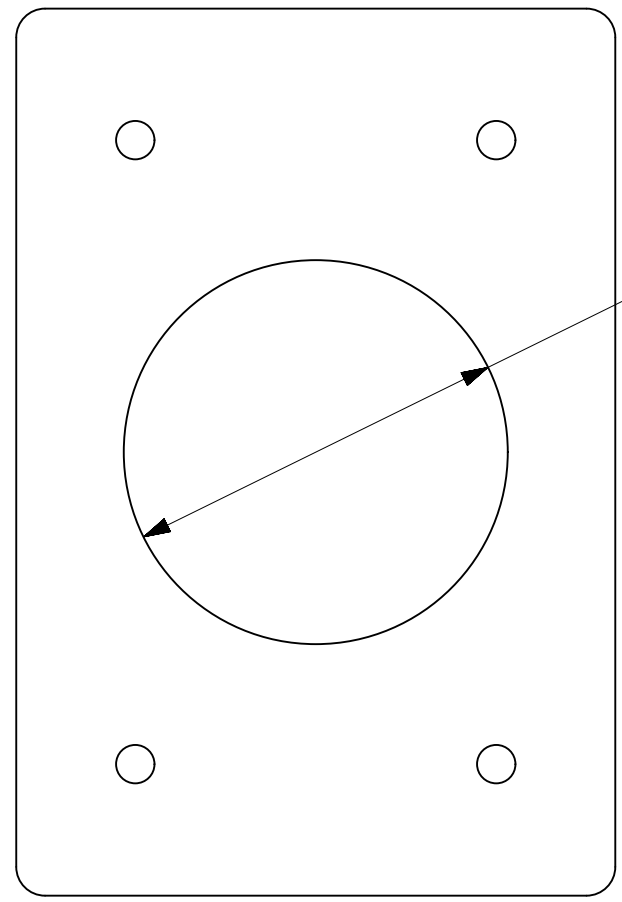
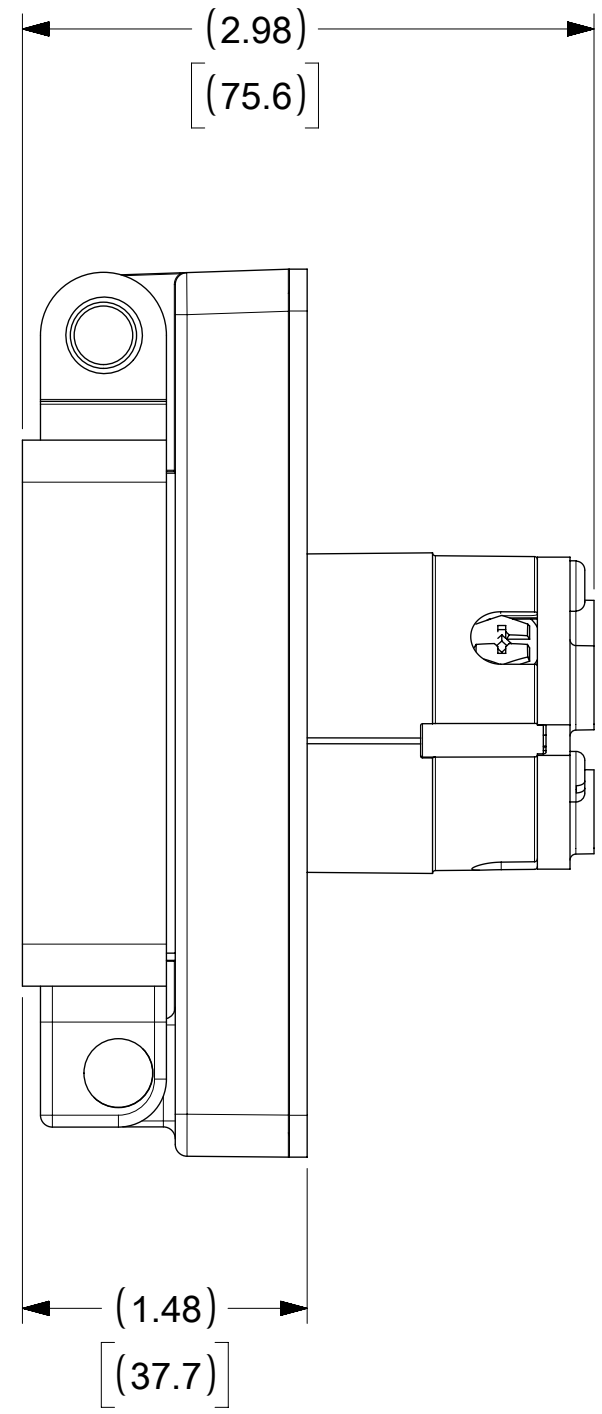
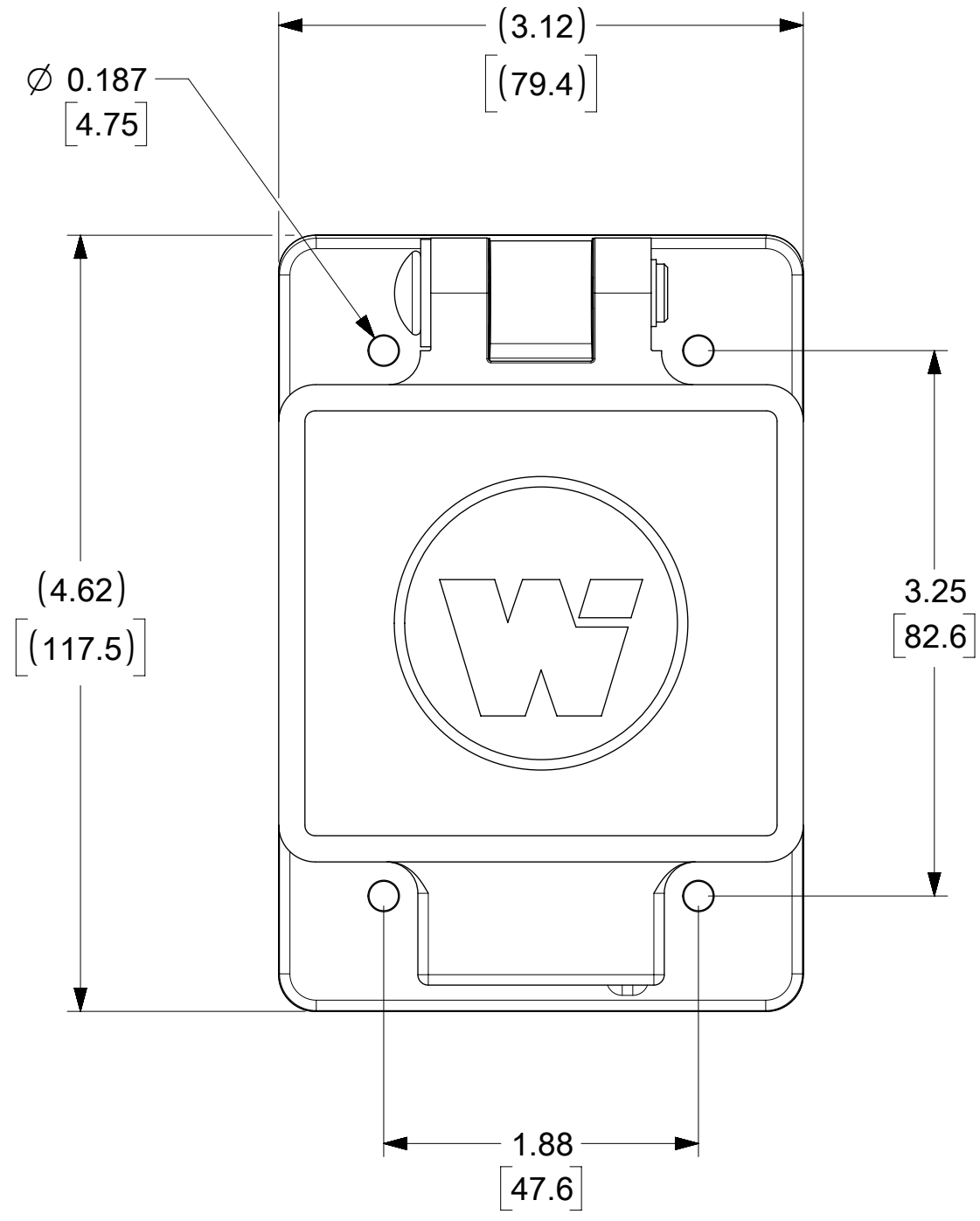
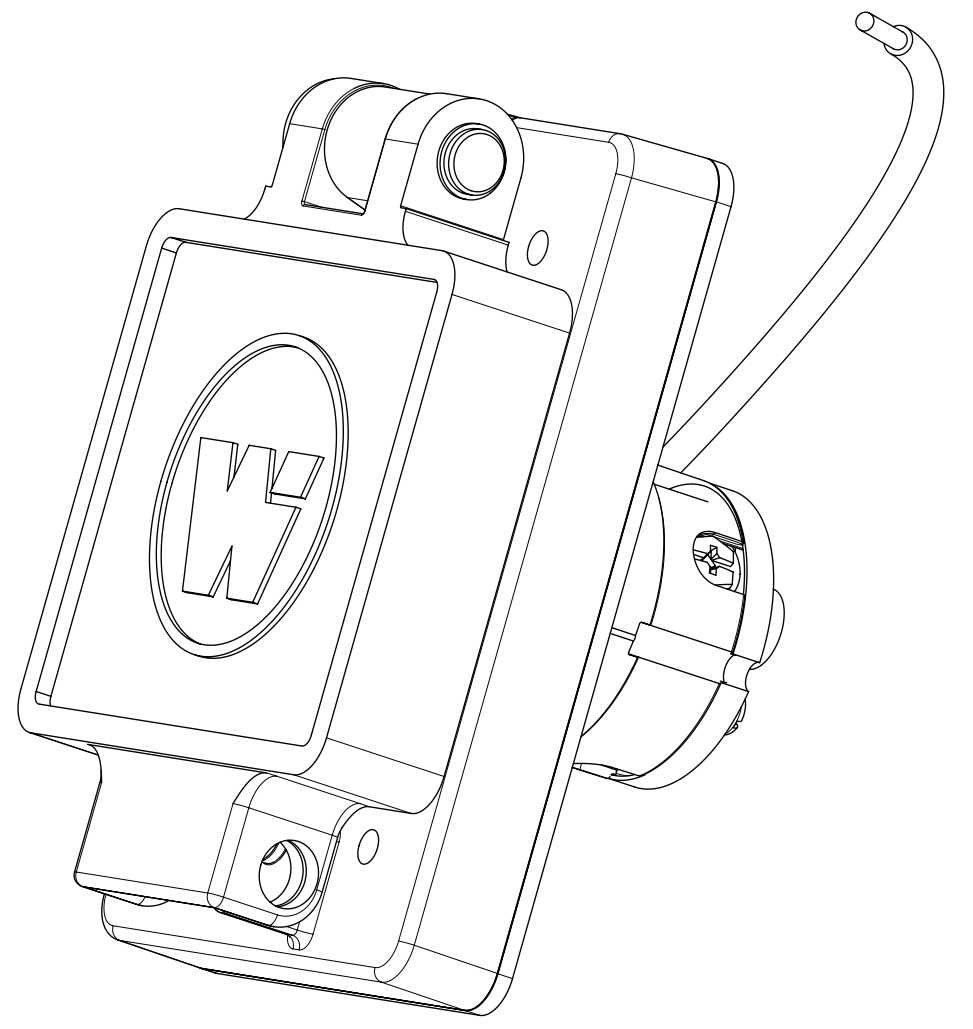


ORDER NO.	WOODHEAD NO.	COLOR
130147-0137	67W08	YELLOW



FACE VIEW



CLEARANCE HOLE (FOR PANEL MOUNT)

DESCRPITION	MATERIAL	QTY.
BLADES	BRASS, NICKEL PLATED	3
RETAINING SCREWS	STAINLESS STEEL	3
CLAMP AND TERMINAL SCREW ASSY.	BRASS, ZINC PLATED	3
FEMALE INSERT	NYLON	1
TERMINAL COVER	POLYCARBONATE	1
COVER ASSEMBLY	POLYCARBONATE, STAINLESS STEEL, ALUMINUM	1
GASKET FLIP	NEOPRENE	1
SUPPORT PLATE	STAINLESS STEEL	1
SCREW (GROUND WIRE)	STAINLESS STEEL	1
JUMPER WIRE ASSY	COPPER, BRASS (TINNED FINISH)	1

THIS DRAWING CONTAINS INFORMATION THAT IS PROPRIETARY TO MOLEX ELECTRONIC TECHNOLOGIES, LLC AND SHOULD NOT BE USED WITHOUT WRITTEN PERMISSION											
SYMBOLS		DIMENSION UNITS		SCALE		CURRENT REV DESC: MIGRATE TO ECTR/NX					
= 0		INCH[MM]		NTS		<p>molex</p> <p>WATERTITE TURNEX RECEPTACLE 3P3W NON-NEMA</p> <p>PRODUCT CUSTOMER DRAWING</p> <p>DOCUMENT NUMBER: 1301470137 DOC TYPE: PSD DOC PART: 000 REVISION: A</p> <p>MATERIAL NUMBER: SEE TABLE CUSTOMER: GENERAL MARKET SHEET NUMBER: 1 OF 1</p>					
= 0		GENERAL TOLERANCES (UNLESS SPECIFIED)									
= 0		MM		INCH							
= 0		±		±							
= 0		4 PLACES		±		EC NO: 613675					
= 0		3 PLACES		±		DRWN: SRPATIL 2018/12/20					
= 0		2 PLACES		±		CHK'D: DNGUYEN62 2019/03/15					
= 0		1 PLACE		±		APPR: HKNEELAND 2019/03/22					
= 0		0 PLACES		±		INITIAL REVISION:					
= 0		ANGULAR TOL		± °		DRWN: SRPATIL 2018/12/20					
= 0		THIRD ANGLE PROJECTION		DRAWING		APPR: HKNEELAND 2019/03/22					
= 0		DRAFT WHERE APPLICABLE MUST REMAIN WITHIN DIMENSIONS		C-SIZE		SERIES: 130147					