

## Temperature probes Thermocouple / Pt100 Part number 79696031



- Thermocouple J :
  - Nickel-plated brass eyelet
  - Stainless steel casing
  - Stainless steel sheath
- Thermocouple K
  - Stainless steel sheath
  - Aluminium vee
- Pt 100 Class B :
  - Stainless steel sheath
  - Aluminium vee
- Connection / Sub-base / Flange
- Pt100 for use with XA03 and XA04 extension
- Thermocouple for use with temperature converter

### Part numbers

	Type	Description	Temperature	Characteristics
79696031	Thermocouple / Pt100	Thermocouple probe J	max : 600 °C	Thermocouple probe J with casing - St. steel 304 L Ø 3 mm : 500 mm long PVC cable : 2 m long - Junction cannot be removed - Junction isolated from earth

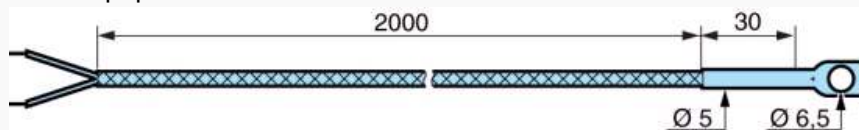
### Specifications

### Accessories

Accessories	Characteristics	Code
Connection	Sliding connection 1/4 " BSP CYL. St. steel 316 L Ø 3 mm	79696038
Sliding connection 1/4 " BSP CYL. St. steel 316 L Ø 6 mm	79696039	
Sliding connection 1/2 " BSP CYL. St. steel 316 L Ø 6 mm	79696040	
Sub-base	Sliding connection 1/4 " BSP CYL Ø 12 mm Nickel-plated steel	79696041
Flange	Inox flange Ø 6 mm	79696042

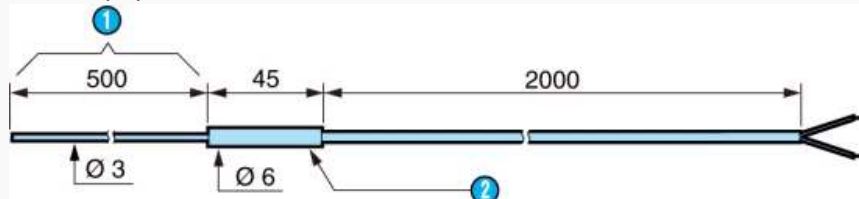
### Dimensions (mm)

Thermocouple probe J : 79696030



### Dimensions (mm)

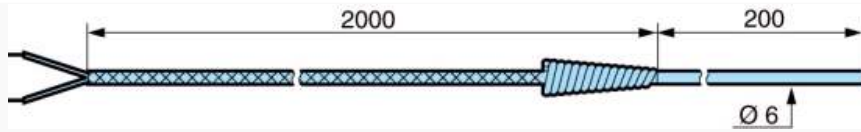
Thermocouple probe J : 79696031



N°	Legend
①	Flexible
②	Stainless steel sleeve

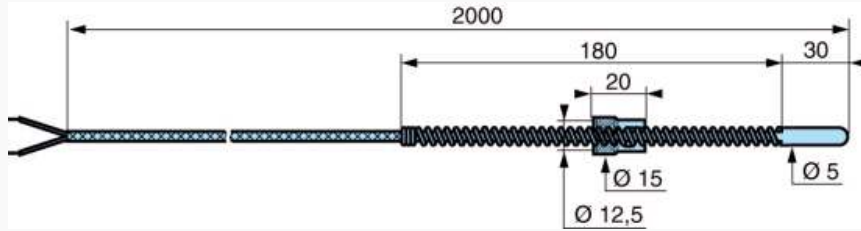
### Dimensions (mm)

Thermocouple probe J : 79696032



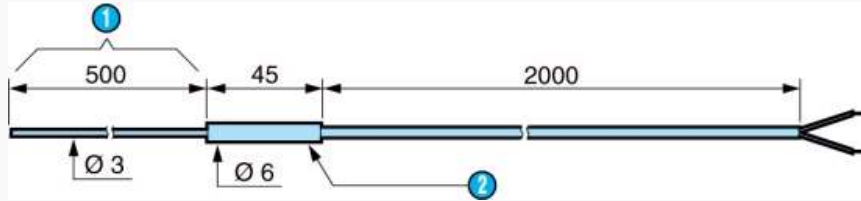
**Dimensions (mm)**

Thermocouple probe J : 79696033



**Dimensions (mm)**

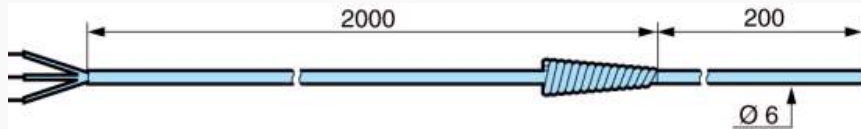
Thermocouple probe K : 79696034



N°	Legend
1	Flexible
2	Stainless steel sleeve

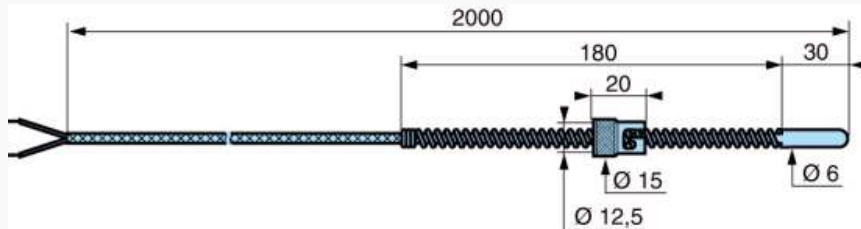
**Dimensions (mm)**

Pt100 probe Class B : 79696035



**Dimensions (mm)**

Pt100 probe Class B : 79696036



**Dimensions (mm)**

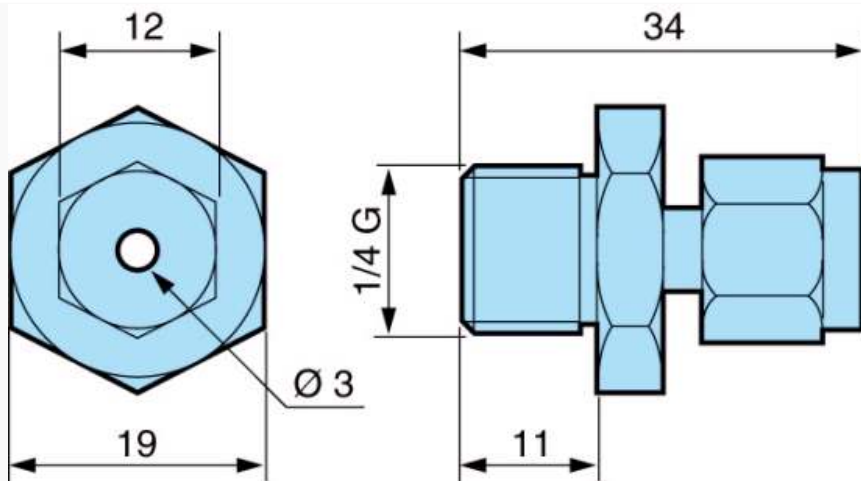
Pt100 probe Class B : 79696037



Aluminium vee (This part is removable)

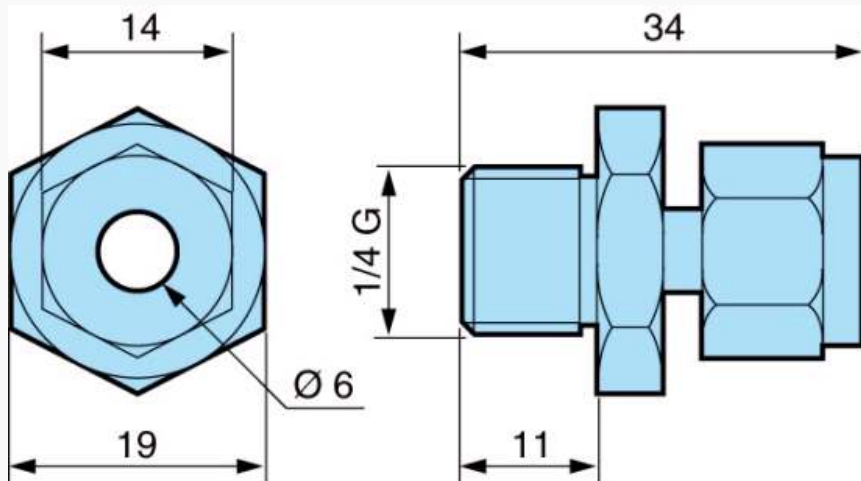
**Dimensions (mm)**

Connection : 79696038



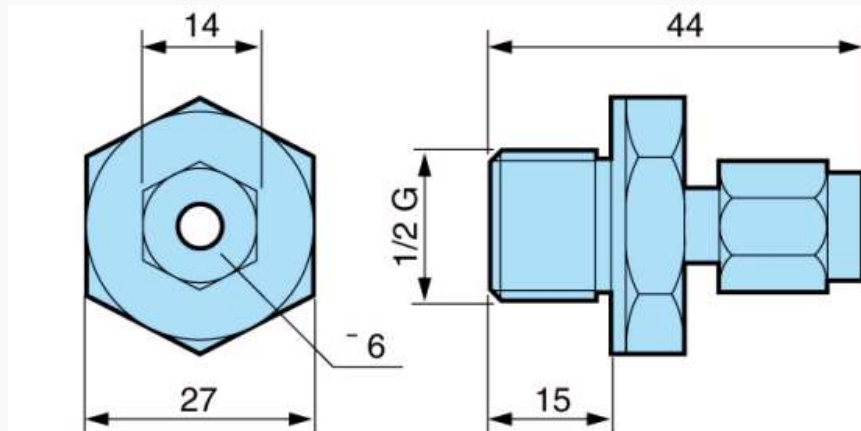
Dimensions (mm)

Connection : 79696039



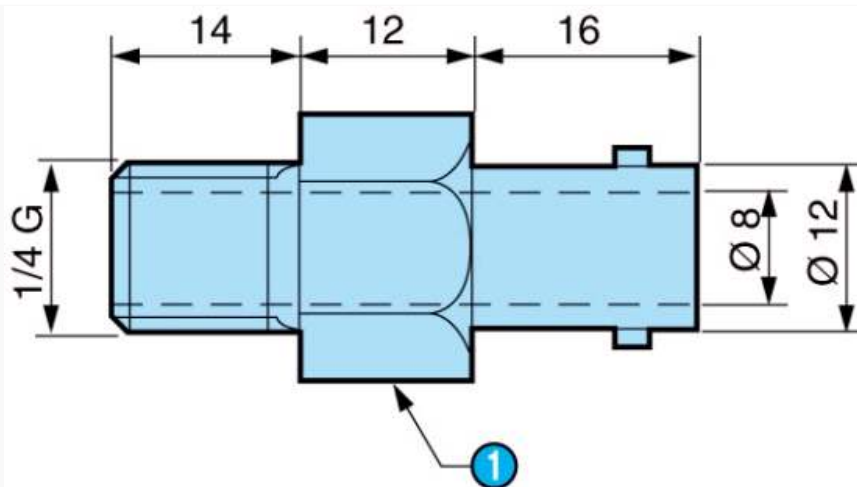
Dimensions (mm)

Connection : 79696040



Dimensions (mm)

Sub-base : 79696041



N°	Legend
1	17 across flat

#### Dimensions (mm)

Flange : 79696042

