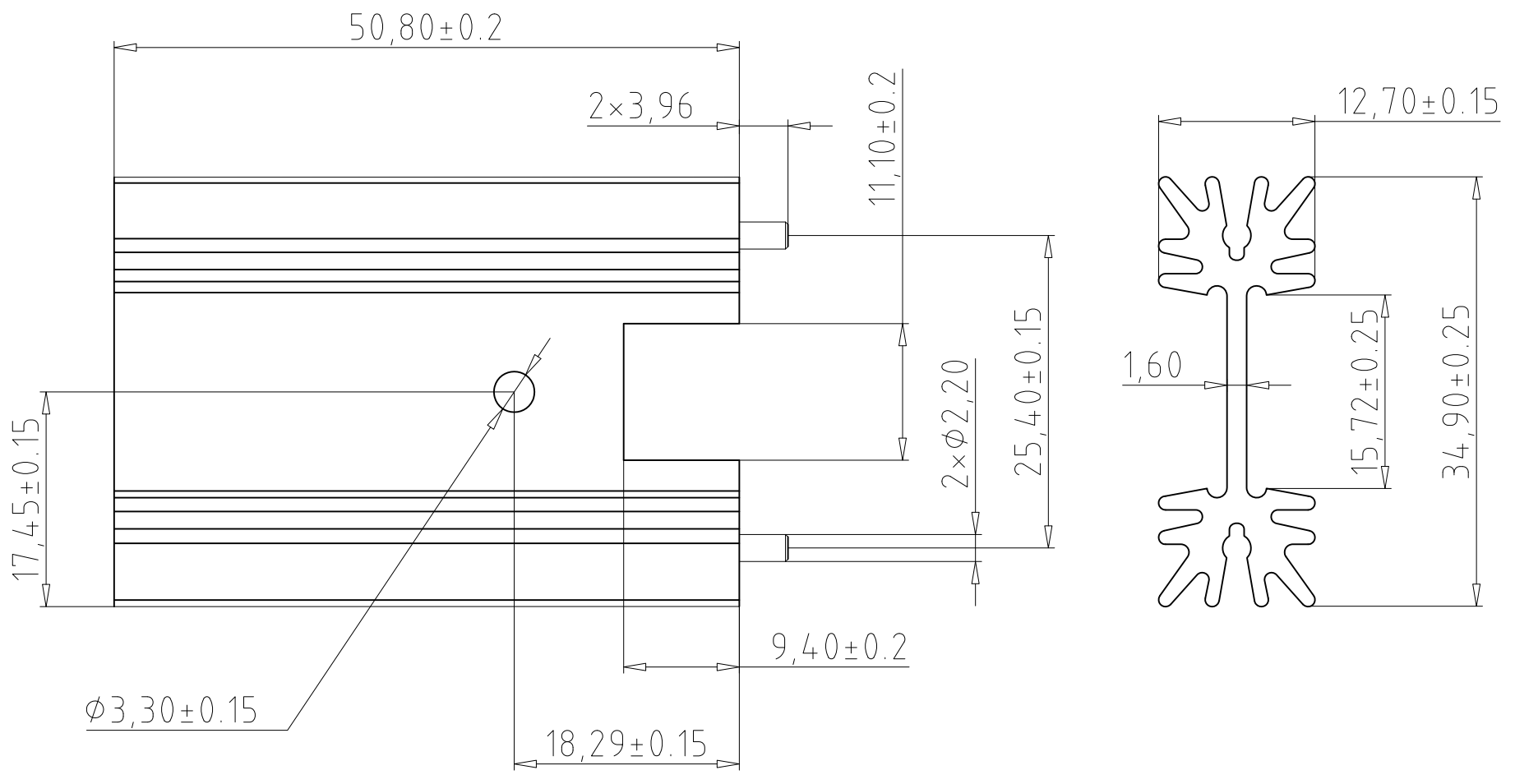


REV	DESCRIPTION	DATE	ORIGINATOR	APPROVED
A	--	--	--	--



NOTES:  
 1.MATERIA: AL6063-T5  
 2.FINISH:Black Anodize  
 3.BREAK AND DEBUR ALL SHARP EDGES  
 4.PART SHALL BE ROHS COMPLIANT

ALL DIMENSIONS ARE IN mm Unindicated TOL. .X           ±0.35mm .XX          ±0.25mm .XXX       ±0.13mm ANG.       ±1.0°	FINISH Black Anodized				
	DRAWN BY Kevin Zhong				
	CHECKED BY	CUSTOMER PART NUMBER	DWG SIZE A4	CUS REV A	CS REV A
	APPROVED BY	CS PART NUMBER CSBL-177-A-0	SHEET 1 of 1	SCALE 1:1	DATE 04/26/2022