

**Technical specification:**

Rated voltage: IEC 61076-2-101	5pos 30 V
Current rating: IEC 61076-2-101	4 A at 40°C
Insulation resistance: IEC 60512	>=100 MΩ
Pollution degree: IEC 60664-1	3/2
Degree of protection: IEC 60529	IP 67, in mated condition
Temperature range: IEC 60664-1	-30°C ... +80°C
Mating cycles: IEC 60512-9a	>=100

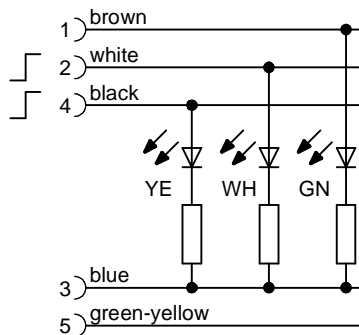
**Materials:**

Contact:	CuZn
Contact plating:	Nickel, gold plated
Contact carrier:	TPU GF, UL 94
Sealing:	FPM
Coupling nut:	GD-Zn, nickel plated
Moulding body:	TPU, UL 94, translucent

**Installation specification:**

Recommended torque:	0,6 Nm
Conec installation tool:	Torque wrench: 36-000200 Insert across flats 13: 36-000220

**Contact assignment:**



Part no:	Description:	Length L:	Cable:
43-10460	SAL - 12 - RKW5 - 3L - 2 / J1	2m	TPU, UL 20549, orange, 5x0,34mm <sup>2</sup> Cable: 781-J13500
43-10461	SAL - 12 - RKW5 - 3L - 3 / J1	3m	
43-10462	SAL - 12 - RKW5 - 3L - 5 / J1	5m	
43-10463	SAL - 12 - RKW5 - 3L - 10 / J1	10m	
43-xxxxx	SAL - 12 - RKW5 - 3L - ... / J1	x	

D see data sheet cable

DO NOT ALTER CAD DRAWING BY HAND Directive 2002/95/EC RoHS compliant	Index: a 30.11.10 VF Ä3767 Coupling nut modified, spanner flats added, data sheet modified	dim. in mm		title: <b>Female connector M12x1 angled with LED</b>			
					date	name	
	tolerance of cable: L ≤ 4m: L + 40mm L > 4m: L + 1%	drawn			08.03.07	Burschik	dwg no:  <b>43K1A480</b>
	general tolerance: 0 ± 0,50mm 0,0 ± 0,25mm 0,00 ± 0,10mm	appd.			08.03.07	Mankopf	
THIS DRAWING MAY NOT BE COPIED OR REPRODUCED IN ANY WAY, AND MAY NOT BE PASSED ON TO A THIRD PARTY WITHOUT WRITTEN PERMISSION. OWNERSHIP AND COPYRIGHT OF CONEC GmbH							