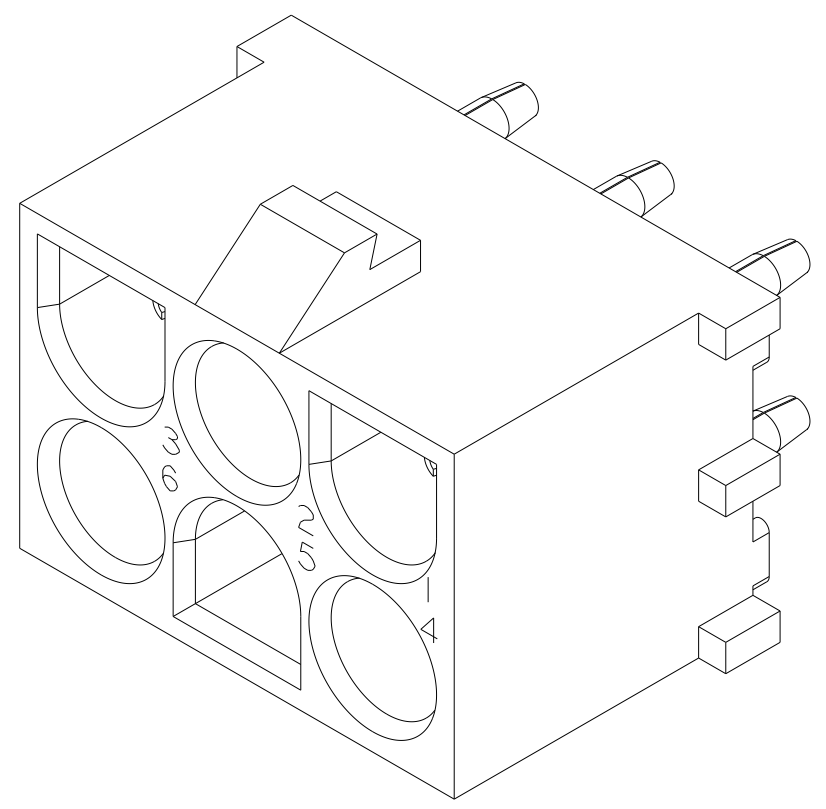
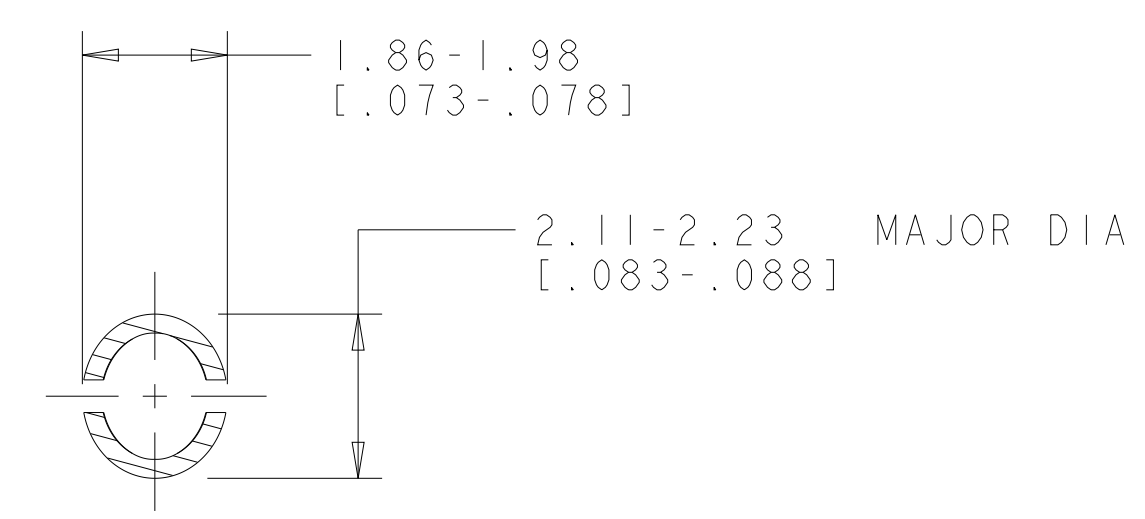
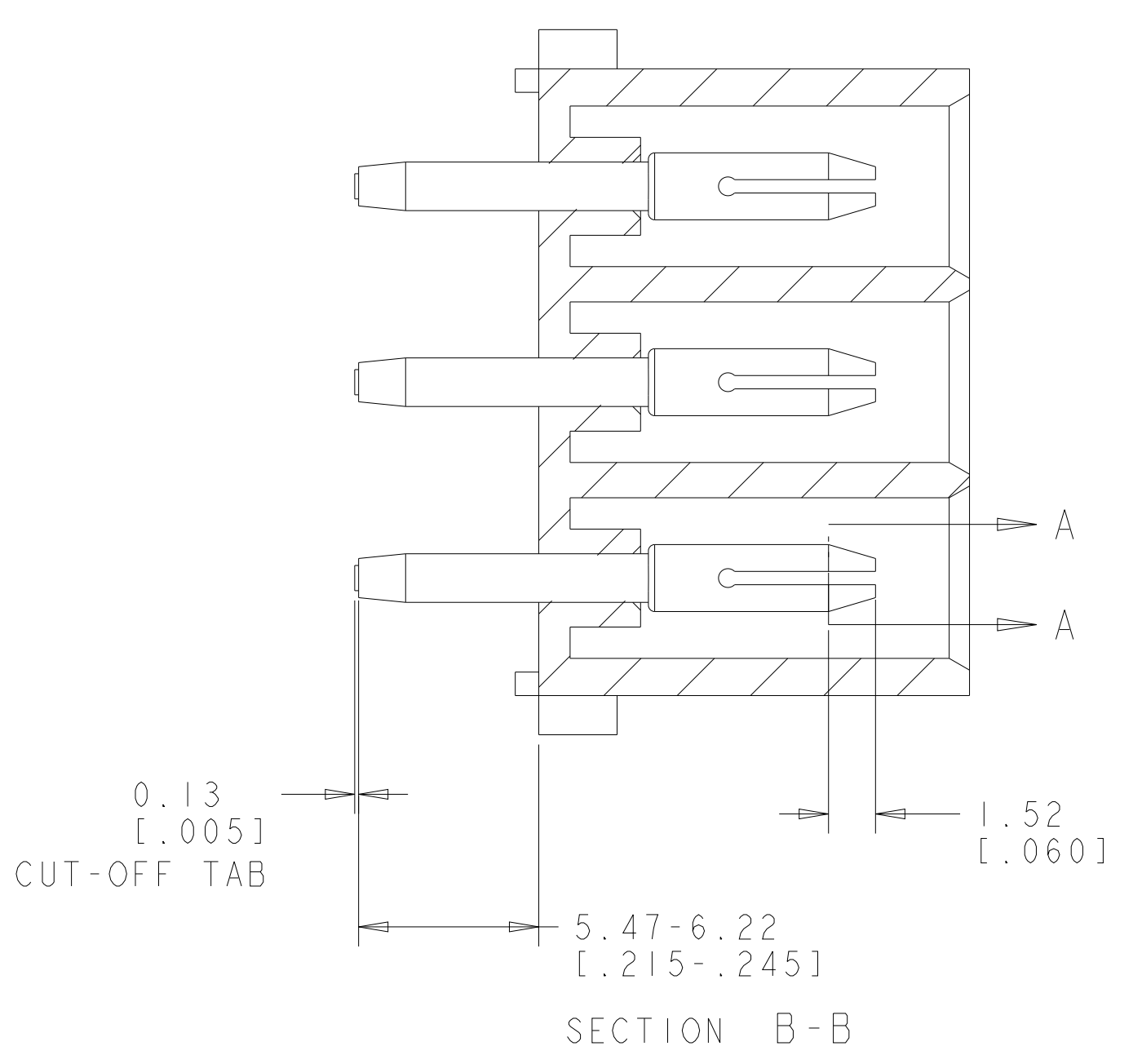
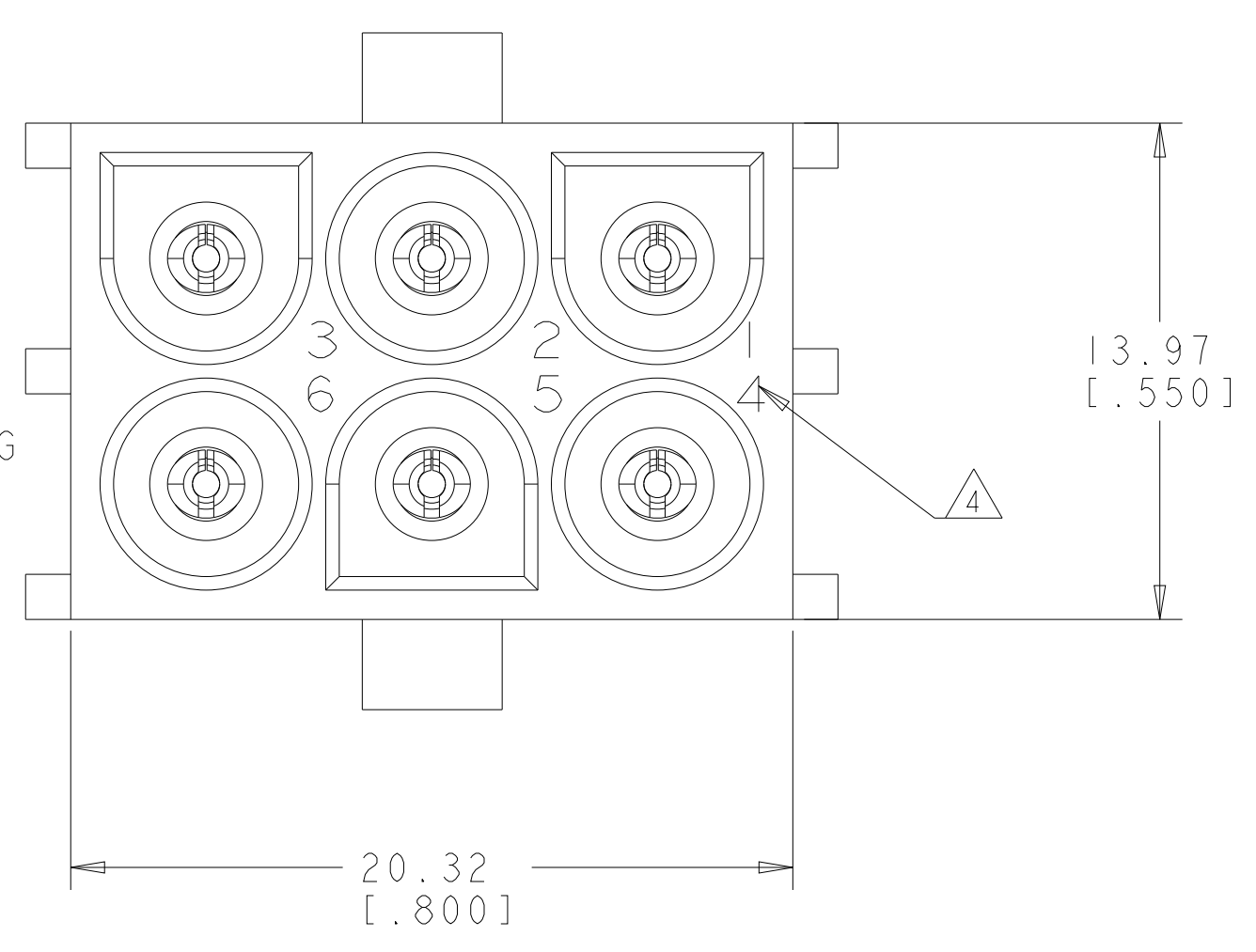
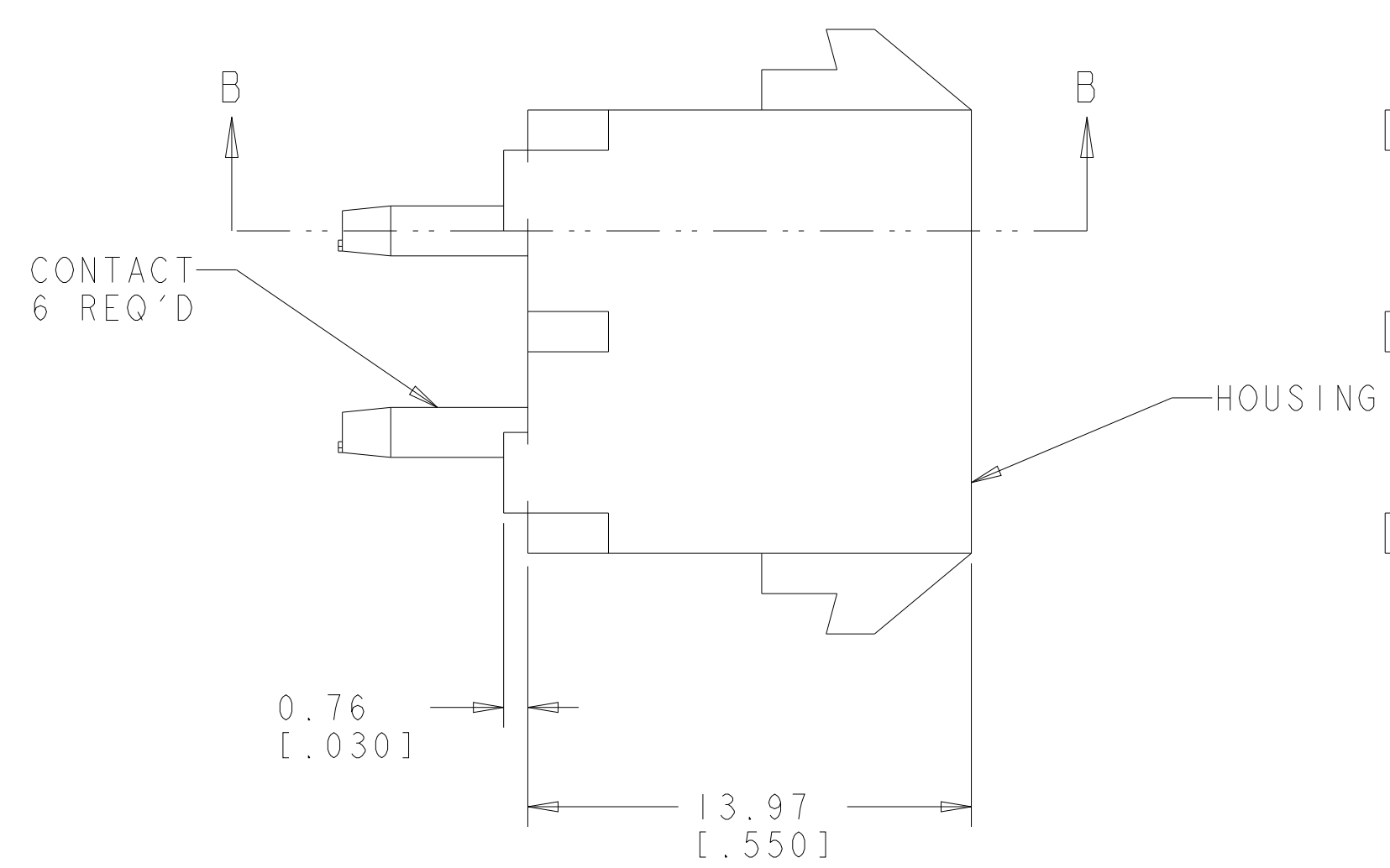
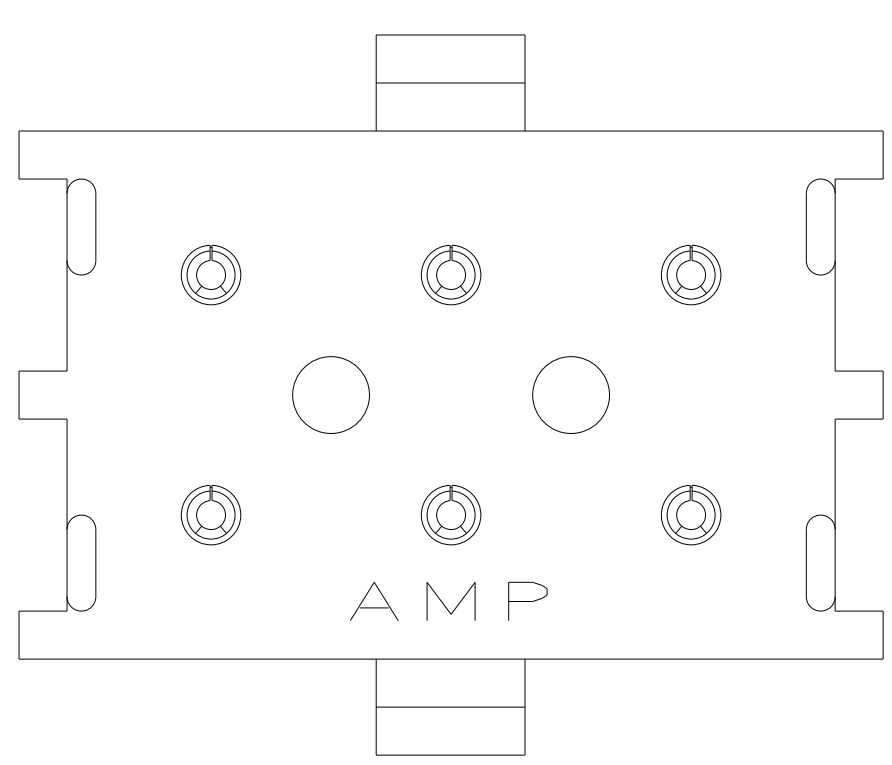
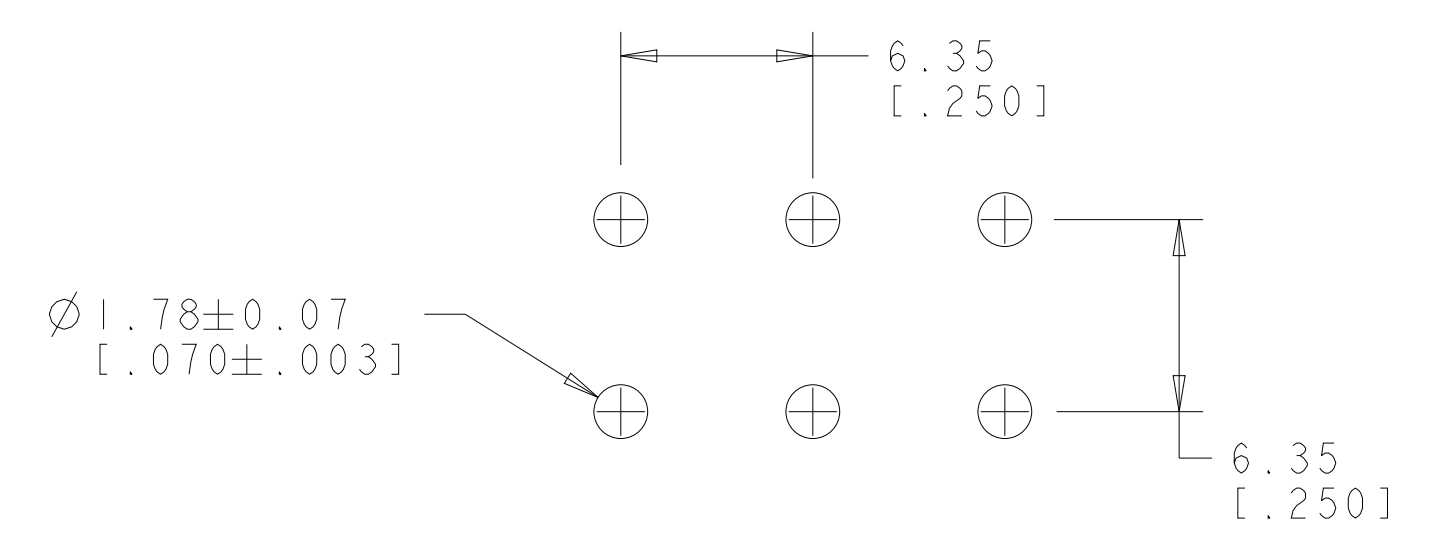


LOC	DIST	REVISIONS					
CM	00	P	LTM	DESCRIPTION	DATE	DWN	APVD
		E		REVISED PER 0G3B-0342-01	20-MAR-02	KW	SR
		E1		ECR-22-ECR-21-117154	29AUG2022	PJ	VS

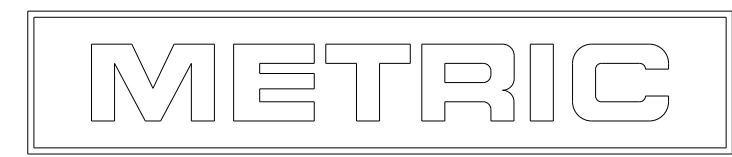
1. PARTS MATE WITH HOUSING 480704.
2. PARTS COMPLY TO AMP SOLDERABILITY SPECIFICATION 109-11-3.
3. PARTS MOLDED WITHOUT DRAIN HOLES.
4. CIRCUIT IDENTIFICATION CHARACTERS ARE ADJACENT TO THE INDICATED CAVITIES, BUT LOCATION AND ORIENTATION MAY DIFFER FROM PRINT.
5. DIMENSIONS IN BRACKETS ARE IN INCHES.
6. DIMENSION SHOWN REPRESENT PRODUCT IN DRY CONDITION. ADDITIONAL 2% GROWTH DUE TO END USE LOCATION MOISTURE ABSORPTION MAY OCCUR AND SHOULD BE ACCOUNTED FOR.



3 DIMENSIONAL MODEL  
SCALE 4:1



RECOMMENDED MOUNTING HOLE PATTERN  
FOR 3.17 [0.125] THICK P.C. BOARD



PHOSPOR BRONZE, PRE-TIN PIN CONTACT MATERIAL AND FINISH	NYLON, UL94V-2, NATURAL HOUSING MATERIAL AND COLOR	643749-1 PART NUMBER
<small>THIS DRAWING IS UNPUBLISHED. RELEASED FOR PUBLICATION. ALL RIGHTS RESERVED. THIS DRAWING IS THE PROPERTY OF TYCO ELECTRONICS CORPORATION. IT IS TO BE USED ONLY FOR THE PURPOSES AND IN THE QUANTITIES SPECIFIED IN THE ORDER. NO OTHER REPRODUCTION OR DISTRIBUTION IS PERMITTED WITHOUT THE WRITTEN PERMISSION OF TYCO ELECTRONICS CORPORATION.</small>		
DIMENSIONS: mm [ INCHES ]	TOLERANCES UNLESS OTHERWISE SPECIFIED:	DWN K. WHITAKER CHK S. RIDGILL APVD S. RIDGILL NAME S. RIDGILL PRODUCT SPEC APPLICATION SPEC WEIGHT CUSTOMER DRAWING
0 PLC ± 1 PLC ± 2 PLC ±0.131(.005) 3 PLC ± 4 PLC ± ANGLES ±40°30'	FINISH SEE TABLE	20-MAR-2002 20-MAR-2002 20-MAR-2002 - - - -
MATERIAL SEE TABLE	SEE TABLE	Tyco Electronics Harrisburg, PA 17105-3608 PIN HEADER ASSEMBLY, 6 CIRCUIT, UNIVERSAL MATE-N-LOK™ SIZE CAGE CODE DRAWING NO RESTRICTED TO A1 00779 ©=643749 - SCALE 4:1 SHEET 1 OF 1 REV E1