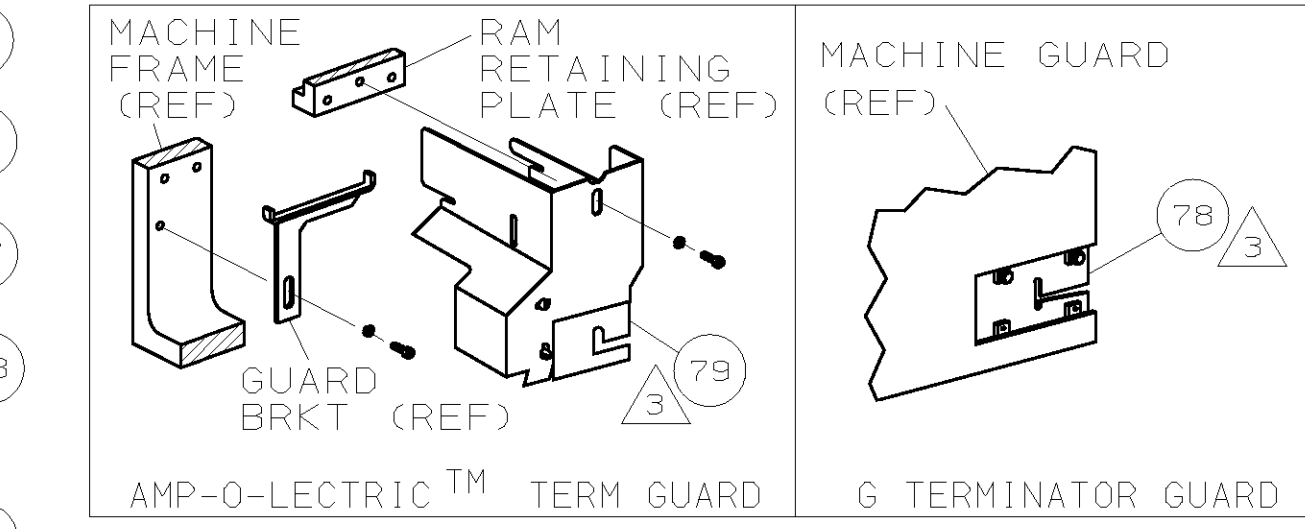
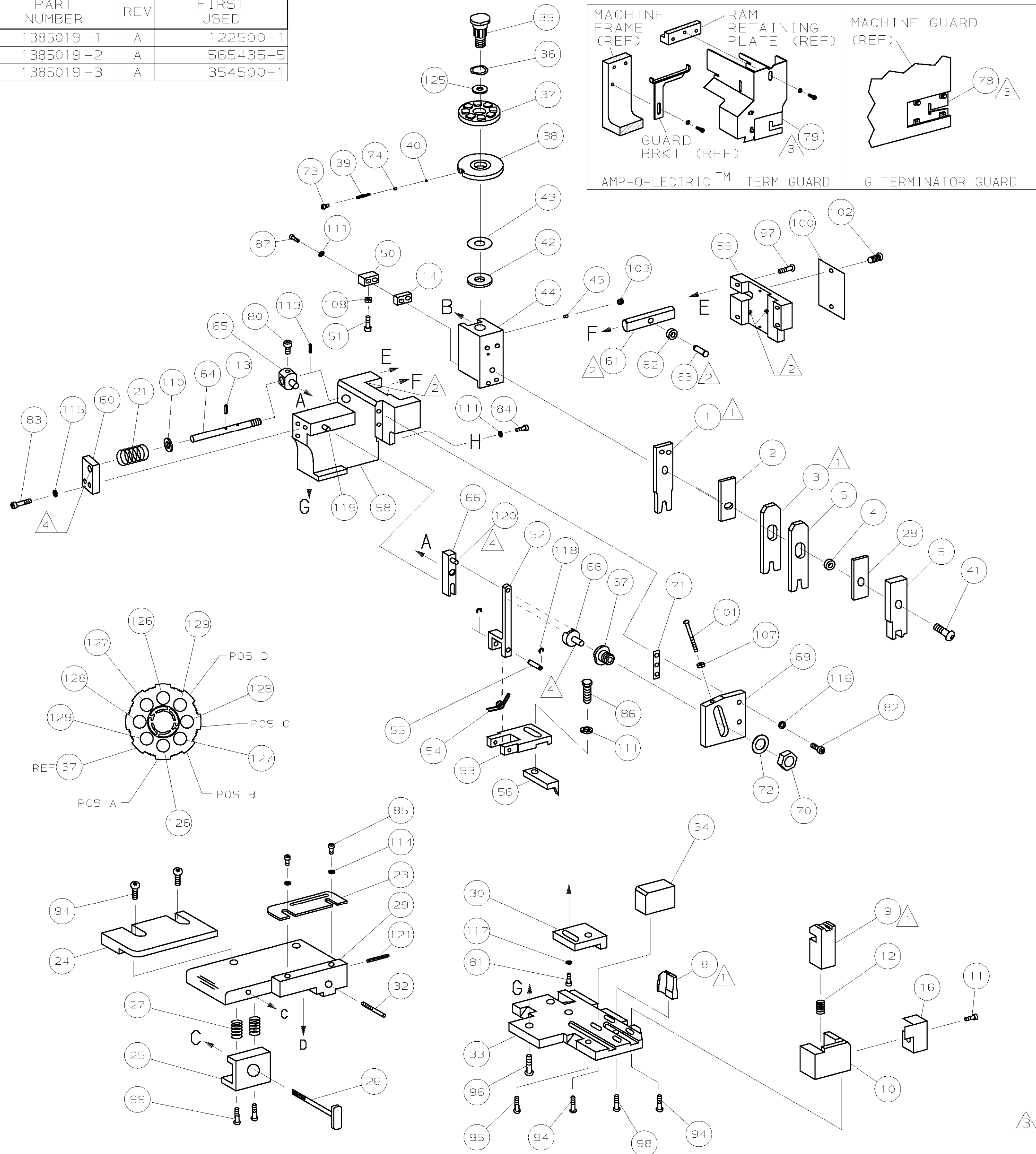


PART NUMBER	REV	FIRST USED
1385019-1	A	122500-1
1385019-2	A	565435-5
1385019-3	A	354500-1



TERMINAL NAME: POWER TAB CONTACT															
1123910-1 CRIMP DATA (AMP TERMINAL)															
PAD LTR		CRIMP HEIGHT				WIRE SIZE									
A		.051 ±.005 [1.29±.05mm <sup>2</sup> ]				16 [.25mm <sup>2</sup> ]									
B		.045 ±.005 [1.15±.05mm <sup>2</sup> ]				18 [.85mm <sup>2</sup> ]									
C		.041 ±.005 [1.05±.05mm <sup>2</sup> ]				20 [.5mm <sup>2</sup> ]									
D		NOT USED													
CRIMP		SIZE		TYPE		RANGE									
WIRE		.080 [2.03mm]		F		16-20									
INSUL		.130 [3.30mm]		F		.071-.122									
WIRE STRIP LENGTH		TERM APPL SPEC		FEED		APPL INSTRUCTION		SET UP GAGE		LAYOUT					
3.2-3.98mm <sup>2</sup>		114-05256		10.89mm <sup>2</sup>		408-8040		458637-1		L2329					
2	2	2	-	C	4-354779-6	PIN, WIRE DISC (.3220)	C	129							
2	2	2	-	C	3-354779-8	PIN, WIRE DISC (.3180)	B	127							
2	2	2	-	C	2-354779-6	PIN, WIRE DISC (.3120)	A	126							
1	1	1	-	A	986950-1	WASHER, FLAT PRECISION		125							
1	1	1	-	A	217238-1	GENERAL INSTRUCTION PACKAGE		124							
1	1	1	-	-	4088040	SF APPL INST 408-8040		123							
									122						
1	1	1	-	A	4-21028-0	PIN, SLT SPR (ø.093x.75) ST GDE PL		121							
REF	REF	REF	-	A	1-21030-1	PIN, DOWEL (ø.187x.50) LEVER		120							
REF	REF	REF	-	A	1-21030-6	PIN, DOWEL (ø.187x1.25) HOUSING		119							
REF	REF	REF	-	A	21045-3	RING, RET "C" (ø.187) FD FING PIN		118							
1	1	1	-	A	21024-5	WASHER, LOCK (#10) ADJ BLOCK		117							
REF	REF	REF	-	A	21024-5	WASHER, LOCK (#10) ADJ PLATE		116							
REF	REF	REF	-	A	21024-5	WASHER, LOCK (#10) FEED GDE ROD		115							
2	2	2	-	A	21024-2	WASHER, LOCK (#4) FRONT STP GUIDE		114							
REF	REF	REF	-	A	5-21028-1	PIN, SLT SPR (ø.125x.50) ADJ ROD		113							
									112						
4	4	4	-	A	21024-4	WASHER, LOCK (#8) STRIPPER		111							
REF	REF	REF	-	A	21899-4	WASHER, FLAT (ø5/16) SCREW ADJ		110							
									109						
1	1	1	-	A	21018-5	NUT, HEX (NO. 6) HOLDDOWN		108							
REF	REF	REF	-	A	21068-5	NUT, HEX (6-32) FEED ADJ		107							
									106						
									105						
1	1	-	-	A	992031-1	PIN, CLEVIS		104							
1	1	1	-	A	21009-2	SCR, 5KT SET (1/4-20x.25 LW) RAM		103							
2	2	2	-	A	21017-2	SCR, DRIVE (#2x.19) ID PLATE		102							
REF	REF	REF	-	A	6-23715-5	SCR, PAN HD (6-32x1.50) FEED ADJ		101							
1	1	1	-	B	461264-1	PLATE, IDENTIFICATION		100							
2	2	2	-	A	3-21002-0	SCR, BHC (10-32x.88) DRAG		99							
1	1	1	-	A	22733-8	SCR, BHC (8-32x.38 LW) ANVIL		98							
REF	REF	REF	-	A	2-21002-9	SCR, BHC (10-32x.75) CAP		97							
REF	REF	REF	-	A	2-22733-8	SCR, BHC (1/4-20x.62) HOUSING		96							
REF	REF	REF	-	A	2-21002-7	SCR, BHC (10-32x.50) 5G ADJ BLOCK		95							
6	6	6	-	A	2-21002-2	SCR, BHC (8-32x.50) TERM H DWN		94							
									93						
									92						
									91						
1	1	1	-	A	1-21002-7	SCR, BHC (6-32x.38) CAM		90							
1	1	-	-	A	7-21000-9	SCR, SHC (4-40x.19) STRIPPER		89							
									88						
1	1	1	-	A	2-21000-8	SCR, SHC (8-32x.40)		87							
1	1	1	-	A	2-22603-0	SCR, HEX HD (8-32x.31) FEED FINGER		86							
2	2	2	-	A	1-21000-3	SCR, SHC (4-40x.25) F ST GUIDE		85							
3	3	3	-	A	2-21000-7	SCR, SHC (8-32x.50) STRIPPER		84							
REF	REF	REF	-	A	3-21000-7	SCR, SHC (10-32x.75) FEED ROD 6D		83							
REF	REF	REF	-	A	3-21000-6	SCR, SHC (10-32x.62) FD ADJ BLK		82							
1	1	1	-	A	3-21000-4	SCR, SHC (10-32x.38) 5G ADJ BL		81							
REF	REF	REF	-	A	3-21000-4	SCR, SHC (10-32x.38) PIVOT BLK		80							
-	REF	-	-	B	455749-1	GUARD, WINDOW		79							
									78						
									77						
									76						
									75						
1	1	1	-	A	690603-1	SPRING, ASSIST		74							
1	1	1	-	A	23030-1	SCR, SHC (6-32x.25 SL) INS DISC		73							
REF	REF	REF	-	A	458109-1	WASHER, SPECIAL		72							
REF	REF	REF	-	A	690517-1	SPACER		71							
-3	-2	-1	U/M	Dwg SIZE	PART NO	DESCRIPTION	ITEM NO								
QTY REOD PER ASSY					PARTS LIST										

- 1 RECOMMENDED SPARE PARTS.
- 2 GREASE LIGHTLY.
- 3 GUARD MUST BE IN PLACE WHEN OPERATING APPLICATOR IN A BENCH MACHINE.
- 4 LUBRICATE DAILY USING NO. 20 MACHINE OIL.
5. ITEMS WITH QTY OF REF SPECIFIED (EXCEPT ITEMS 78 AND 79) ARE USED ON ITEM 46.

POST FEED 1 5/8 STROKE	PRE FEED 1 1/8 STROKE	PRE FEED 1 5/8 STROKE
ROTATED 180° B	ROTATED 180° B	ROTATED 180° B

K TERMINATOR	G TERMINATOR

LOC A
DIST 66
LEADMAKER
BENCH MACHINE

REV	DESCRIPTION	REV	DESCRIPTION	REV	DESCRIPTION	REV	DESCRIPTION								
-1	LEADMAKER														
-2	BENCH MODEL K														
-3	BENCH MODEL G														
REF	REF	REF	-	B	22594-8	NUT, HEX (1/2-20)	70								
REF	REF	REF	-	B	240628-1	PLATE, ADJUSTMENT	69								
REF	REF	REF	-	B	240626-1	SHAFT, PIVOT	68								
REF	REF	REF	-	B	240633-1	BUSHING	67								
REF	REF	REF	-	A	455680-1	LEVER, INTERMEDIATE	66								
REF	REF	REF	-	B	240629-1	BLOCK, PIVOT	65								
REF	REF	REF	-	A	240632-2	SCREW, ADJ FEED ROD	64								
REF	REF	REF	-	B	240659-3	PIN, CAM ROLLER	63								
REF	REF	REF	-	B	240658-1	ROLLER, CAM	62								
REF	REF	REF	-	B	454398-2	ROD, FEED	61								
REF	REF	REF	-	A	454178-1	GUIDE, FEED ROD	60								
REF	REF	REF	-	C	454220-1	CAP, RAM	59								
REF	REF	REF	-	D	454485-1	HOUSING	58								
								57							
1	1	1	-	B	690542-2	PAWL, FEED	56								
REF	REF	REF	-	B	240624-1	PIN, FEED FINGER	55								
REF	REF	REF	-	B	691499-1	SPRING, FEED FINGER	54								
REF	REF	REF	-	B	690541-1	HOLDER, FEED FINGER	53								
REF	REF	REF	-	A	455679-1	LEVER, TERMINAL FEED ARM	52								
1	1	1	-	B	811242-2	BUMPER, HOLDDOWN	51								
1	1	1	-	B	690753-1	SPACER, TONKER	50								
1	-	-	-	B	690602-6	CAM, PRE-FEED 1 5/8 ST	49								
-	1	-	-	B	690602-5	CAM, PRE-FEED 1 1/8 ST	48								
-	-	1	-	B	690501-4	CAM, POST-FEED 1 5/8 ST	47								
1	1	1	-	B	459456-1	APPLICATOR, BASIC (SUBASSY)	46								
1	1	1	-	A	690191-1	PLUG, NYLON	45								
1	1	1	-	C	455673-1	RAM	44								
1	1	1	-	A	690125-1	WASHER, LAMINATED	43								
1	1	1	-	A	690124-1	WASHER, RAM	42								
1	1	1	-	A	7-21002-9	BOLT, CRIMPER (5/16x1.00)	41								
1	1	1	-	A	23241-6	BALL, STEEL	40								
1	1	1	-	A	690170-1	SPRING, COMPRESSION	39								
1	1	1	-	C	690142-5	DISC, INSULATION	38								
1	1	1	-	D	354777-1	WIRE DISC, PLASTIC	37								
1	1	1	-	A	22480-5	WASHER, SPRING	36								
1	1	1	-	B	690212-1	POST, RAM	35								
1	1	1	-	B	2-690786-7	SUPPORT, TERMINAL	34								
REF	REF	REF	-	D	455675-1	PLATE, BASE	33								
1	1	1	-	A	690432-3	SCREW, ADJUSTMENT	32								
								31							
REF	REF	REF	-	B	455689-1	BLOCK, STRIP GUIDE ADJ	30								
1	1	1	-	C	455671-1	PLATE, STRIP GUIDE	29								
1	1	1	-	C	1-455888-8	SPACER, FRONT SHEAR DEP	28								
2	2	2	-	A	1-22284-0	SPRING, DRAG	27								
1	1	1	-	B	690546-1	LEVER, DRAG RELEASE	26								
1	1	1	-	B	240792-1	DRAG, TERMINAL	25								
1	1	1	-	D	6-690504-2	GUIDE, STRIP (REAR)	24								
1	1	1	-	A	690438-1	GUIDE, STRIP (FRONT)	23								
-	-	1	-	B	690472-2	STRIPPER	22								
REF	REF	REF	-	A	4-22284-9	SPRING, FEED RETURN	21								
1	1	-	-	A	679218-1	STRIPPER WIRE STOP ASSY	20								
1	1	-	-	B	458949-1	STRIPPER	19								
								18							
								17							
1	1	1	-	B	318563-1	GUARD, CHIP, FRONT	16								
								15							
1	1	1	-	C	3-240641-0	SPACER	14								
2	2	2	-	A	22278-9	SPRING, COMPRESSION	13								
1	1	1	-	A	5-22280-0	SPRING, SHEAR	12								
1	1	1	-	B	690461-1	STOP, SHEAR	11								
1	1	1	-	C	690459-1	HOLDER, SHEAR (FRONT)	10								
1	1	1	-	C	454276-1	SHEAR, FLOAT (FRONT)	9								
1	1	1	-	C	4-662186-4	ANVIL	8								
								7							
1	1	1	-	C	318596-1	STABILIZER	6								
1	1	1	-	C	1-455889-4	DEPRESSOR, SHEAR (FRONT)	5								
1	1	1	-	B	2-238011-1	SPACER, BLOCK CRIMPER	4								
1	1	1	-	C	4-456134-2	CRIMPER, INSULATION	3								
1	1	1	-	C	455888-6	SPACER, CRIMPER	2								
1	1	1	-	C	3-456405-5	CRIMPER, WIRE	1								
-3	-2	-1	U/M	Dwg SIZE	PART NO	DESCRIPTION	ITEM NO								
QTY REOD PER ASSY					PARTS LIST										

THIS DRAWING IS A CONTROLLED DOCUMENT.

THIS DRAWING IS UNRELEASED. RELEASED FOR PUBLICATION BY AMP INCORPORATED. ALL RIGHTS RESERVED.