

160917-4 ✓ ACTIVE

FASTIN-FASTON | FASTIN-FASTON 250

TE Internal #: 160917-4

Quick Disconnects, Receptacle, 17 – 13 AWG Wire Size, 1.03 – 2.62 mm² Wire Size, Mating Tab Width 6.35 mm [.25 in], Straight, FASTIN-FASTON 250

[View on TE.com >](#)



Terminals & Splices > Quick Disconnects



Quick Disconnect Terminal Type: **Receptacle**

Wire Size: **1.03 – 2.62 mm²**

Mating Tab Width: **6.35 mm [.25 in]**

Mating Tab Thickness: **.81 mm [.032 in]**

Features

Product Type Features

Insertion Force	Normal
-----------------	--------

Configuration Features

Connection Capacity	Single
Compatible With Wire & Cable Type	Discrete Wire

Contact Features

Quick Disconnect Terminal Type	Receptacle
Mating Tab Width	6.35 mm [.25 in]
Mating Tab Thickness	.81 mm [.032 in]
Terminal Orientation	Straight
Contact Base Material	Phosphor Bronze
Terminal Plating Material	Tin
Crimp Type	F-Crimp
Barrel Type	Open

Termination Features

--	--



Product Terminates To	Wire & Cable
-----------------------	--------------

Mechanical Attachment

	.046 in
--	---------

Wire Insulation Support	With
-------------------------	------

Mating Retention Type	Locking Lance
-----------------------	---------------

Dimensions

Terminal Material Thickness	.41 mm[.016 in]
-----------------------------	-----------------

Product Length	19.2 mm[.755 in]
----------------	------------------

Compatible Insulation Diameter Range	2.11 – 3.1 mm[.083 – .122 in]
--------------------------------------	-------------------------------

Wire Size	1.03 – 2.62 mm ²
-----------	-----------------------------

Usage Conditions

Insulation Option	Uninsulated
-------------------	-------------

Operating Temperature Range	-40 – 110 °C[-40 – 230 °F]
-----------------------------	----------------------------

Packaging Features

Packaging Quantity	5000
--------------------	------

Packaging Method	Strip/Reel
------------------	------------

Other

Terminals & Splices Comment	Chamfered, With dimple
-----------------------------	------------------------

Product Compliance

[For compliance documentation, visit the product page on TE.com>](#)

EU RoHS Directive 2011/65/EU	Compliant
------------------------------	-----------

EU ELV Directive 2000/53/EC	Compliant
-----------------------------	-----------

China RoHS 2 Directive MIIT Order No 32, 2016	No Restricted Materials Above Threshold
---	---

EU REACH Regulation (EC) No. 1907/2006	Current ECHA Candidate List: JUNE 2023 (235) Candidate List Declared Against: JAN 2023 (233) Does not contain REACH SVHC
--	--

Halogen Content	Low Halogen - Br, Cl, F, I < 900 ppm per homogenous material. Also BFR/CFR/PVC Free
-----------------	---

Solder Process Capability	Not applicable for solder process capability
---------------------------	--

Product Compliance Disclaimer

This information is provided based on reasonable inquiry of our suppliers and represents our current actual knowledge based on the information they provided. This information is subject to change. The part numbers that TE has identified as EU RoHS compliant have a maximum concentration of 0.1% by weight in homogenous materials for lead, hexavalent chromium, mercury, PBB, PBDE, DBP, BBP, DEHP, DIBP, and 0.01% for cadmium, or qualify for an exemption to these limits as defined in the Annexes of Directive 2011/65/EU (RoHS2). Finished electrical and electronic equipment products will be CE marked as required by Directive 2011/65/EU. Components may not be CE marked. Additionally, the part numbers that TE has identified as EU ELV compliant have a maximum concentration of 0.1% by weight in homogenous materials for lead, hexavalent chromium, and mercury, and 0.01% for cadmium, or qualify for an exemption to these limits as defined in the Annexes of Directive 2000/53/EC (ELV). Regarding the REACH Regulation, the information TE provides on SVHC in articles for this part number is based on the latest European Chemicals Agency (ECHA) 'Guidance on requirements for substances in articles' posted at this URL: <https://echa.europa.eu/guidance-documents/guidance-on-reach>

Compatible Parts



TE Part # 1-1579007-4
EXTRACTION TOOL



TE Part # 4-1579007-3
EXTRACTION TOOL KIT



TE Part # 180398-2
FF 250 REC 1-2.5MM2 TPBR



TE Part # 180398-5
FF 250 REC 1-2.5MM2 TPPB



TE Part # 2-2150157-1
OCEAN_2.0_Applicator-E-110F140OV



TE Part # 2-2150157-2
OCEAN_2.0_Applicator-E-110F140OV



TE Part # 2150157-1
OCEAN_2.0_Applicator-E-110F140OV



TE Part # 2150157-2
OCEAN_2.0_Applicator-E-110F140OV



TE Part # 281197-5
FF 187 REC 1.0-2.5MM2 PTBR (RE REELING)



TE Part # 281197-6
FF 187 REC 1.0-2.5MM2 PTBR



TE Part # 7-2150157-1
OCEAN_2.0_Applicator-E-110F140OV



TE Part # 7-2150157-2
OCEAN_2.0_Applicator-E-110F140OV



KIT
REPRESENTATION ONLY

TE Part # 7-2150157-7
OCEAN_2.0_SPARE_PART_KIT-110F140OV



TE Part # 539743-2
DIE F2.8FF TAB

Also in the Series | FASTIN-FASTON 250



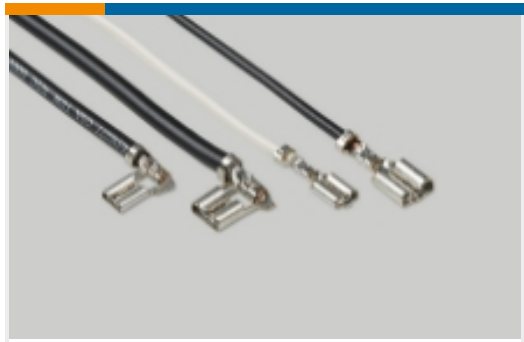
Crimp Terminal Housings(211)



Insertion & Extraction Tools(2)



PCB Terminals(2)



Quick Disconnects(254)

Customers Also Bought



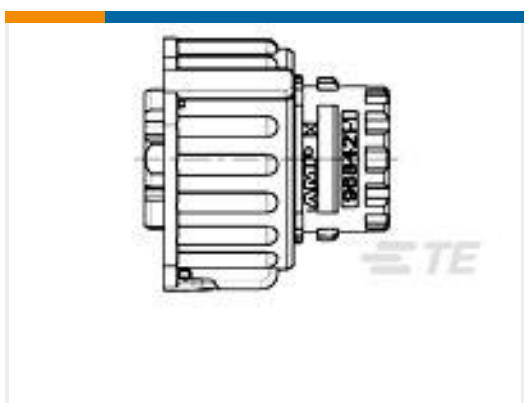
TE Part #1-1718491-1
1.5/2.8MMTAB HSG 25POS ASSY



TE Part #160928-4
FF 250 REC 0.5-1.0MM2 TPPB



TE Part #280098-2
FF 250 REC 1-2.5MM2 TPPB



TE Part #3-967650-1
1.5MM SOCKET CONNECTOR 7POS



TE Part #6106994002
ATUM-24/8-2-SP



TE Part #160914-4
FF 250 REC 4-6MM2 TPPB



TE Part #CH31716001
QSZH-125-NR2-40MM



TE Part #708412-2
XCT 25-8 EQ



TE Part #NB07884001
HTAT-32/8-0-SP



TE Part #1544324-2
CLIP 6,3 E.D. 2,5-

Documents

Product Drawings

[FF 250 REC 1-2.5MM2 TPPB](#)

English

CAD Files

[3D PDF](#)

[3D](#)



Customer View Model

[ENG_CVM_CVM_160917-4_P.2d_dxf.zip](#)

English

Customer View Model

[ENG_CVM_CVM_160917-4_P.3d_igs.zip](#)

English

Customer View Model

[ENG_CVM_CVM_160917-4_P.3d_stp.zip](#)

English

By downloading the CAD file I accept and agree to the [Terms and Conditions](#) of use.

Product Specifications

[Application Specification](#)

German