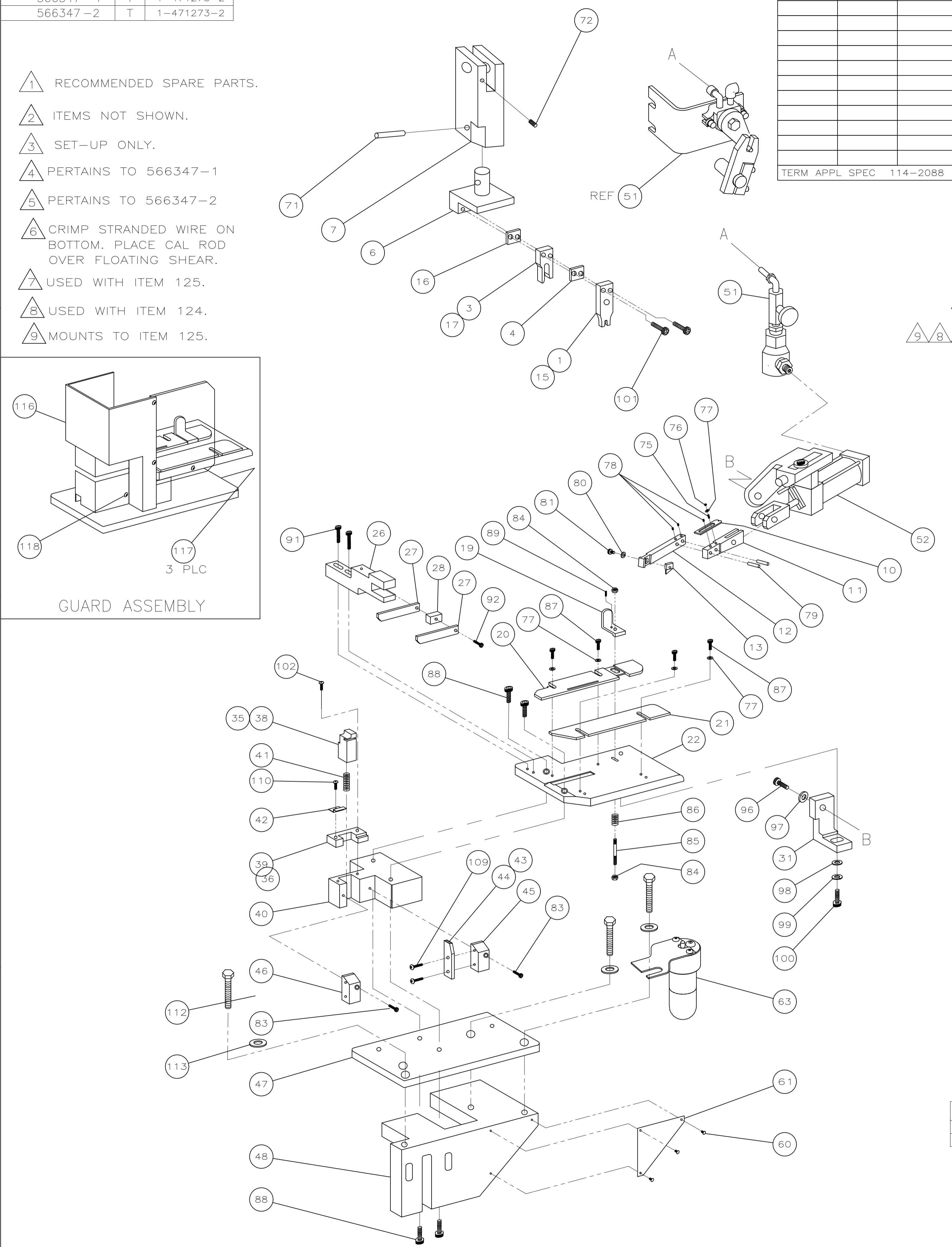
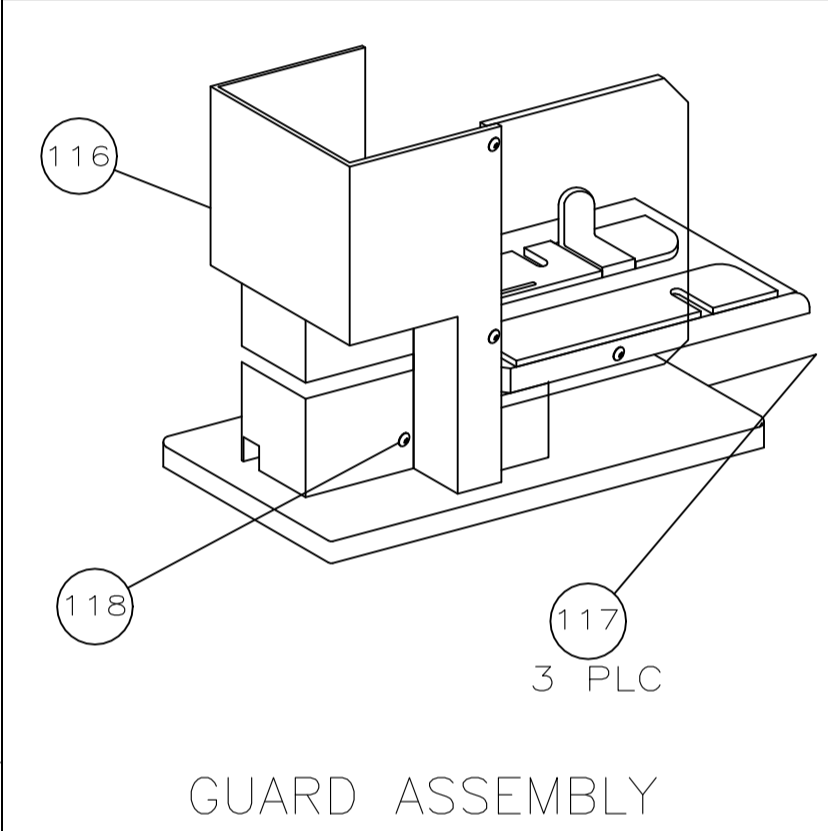


| PART NUMBER | REV | FIRST USED |
|-------------|-----|------------|
| 566347-1 | T | 1-471273-2 |
| 566347-2 | T | 1-471273-2 |

- 1 RECOMMENDED SPARE PARTS.
- 2 ITEMS NOT SHOWN.
- 3 SET-UP ONLY.
- 4 PERTAINS TO 566347-1
- 5 PERTAINS TO 566347-2
- 6 CRIMP STRANDED WIRE ON BOTTOM. PLACE CAL ROD OVER FLOATING SHEAR.
- 7 USED WITH ITEM 125.
- 8 USED WITH ITEM 124.
- 9 MOUNTS TO ITEM 125.



| TERMINAL NAME: | | CRIMPING DATA | | | |
|-----------------------------|-----------|---------------|-------------------|----------------------------|--|
| SPLICE | | PAD LTR | CRIMP HEIGHT | WIRE SIZE | |
| | 61299 | - | .145 | (2)12 STRANDED | |
| | | - | .160 | Ø090 CAL ROD & 18 STRANDED | |
| | | - | - | - | |
| | | - | - | - | |
| | | - | - | - | |
| CRIMP | SIZE | TYPE | RANGE | | |
| WIRE 4 | .180 | F | 10,000-16,000 CMA | | |
| WIRE 5 | .160 | F | - | | |
| FEED | APPL INST | SET UP GAGE | LAYOUT | | |
| .620 | 408-8012 | - | - | | |
| WIRE STRIP LENGTH .250-.280 | | | | | |
| TERM APPL SPEC 114-2088 | | | | | |

| REVISIONS | | | | | |
|-----------|-----|---------------------------|-----------|----|------|
| P | LTR | DESCRIPTION | DATE | DN | APVD |
| T | | REVISED PER ECR-22-157911 | 09NOV2022 | GK | GB |

| | | | | | |
|----|----|-----|-----------|-------------------------------|---------|
| 1 | 1 | - | 815933-1 | MOUNT, REEL BRACKET | 125 |
| 1 | 1 | - | 461903-1 | BRACKET, AIR SWITCH SHROUD | 124 |
| 1 | 1 | - | 461904-1 | SHROUD, AIR SWITCH | 123 |
| 2 | 2 | - | 2-21000-7 | SCR, SHC(8-32X.50) | 122 |
| 2 | 2 | - | 2-21002-0 | SCR, BHC(8-32X.25) | 121 |
| 2 | 2 | - | 3-21001-8 | SCR,SHC(3/8 -16X1.75) | 120 |
| - | - | - | - | - | 119 |
| 1 | 1 | - | 2-21002-2 | SCR, BHC(8-32X.50) | 118 |
| 3 | 3 | - | 2-21002-0 | SCR, SHC(8-32X.25) | 117 |
| 1 | 1 | - | 816304-1 | GUARD ASSEMBLY | 116 |
| - | - | - | - | - | 115 |
| - | - | - | - | - | 114 |
| 3 | 3 | - | 371178 | BASE MOUNT WASHER | 113 |
| 3 | 3 | - | 3-21015-1 | SCR, HEX HD 3/8-16 X 1.00 | 112 |
| - | - | - | - | - | 111 |
| 1 | 1 | - | 1-21002-6 | SCR,BHC(6-32x.25) | 110 |
| 2 | 2 | - | 2-21002-2 | SCR, BHC 8-32 X .50 | 109 |
| - | - | - | - | - | 108 |
| - | - | - | - | - | 107 |
| - | - | - | - | - | 106 |
| - | - | - | - | - | 105 |
| - | - | - | - | - | 104 |
| - | - | - | - | - | 103 |
| 2 | 2 | - | 3-21000-5 | SCR,SHC(10-32x.50) | 102 |
| 2 | 2 | - | 21001-7 | SCR, SHC,(1/4-20x1.25) | 101 |
| 1 | 1 | - | 21001-6 | SCR, SHC 1/4-20 X 1.00 | 100 |
| 1 | 1 | - | 21024-6 | WASHER, LOCK #1/4 | 99 |
| 1 | 1 | - | 21055-8 | WASHER, FLAT #1/4 | 98 |
| 1 | 1 | - | 21024-8 | WASHER, LOCK #3/8 | 97 |
| 1 | 1 | - | 3-21001-5 | SCR, SHC 3/8-16 X 1.00 | 96 |
| - | - | - | - | - | 95 |
| - | - | - | - | - | 94 |
| - | - | - | - | - | 93 |
| 1 | 1 | - | 2-21000-8 | SCR, SHC 8-32 X .63 | 92 |
| 2 | 2 | - | 3-21000-0 | SCR, SHC 8-32 X .88 | 91 |
| - | - | - | - | - | 90 |
| 1 | 1 | - | 3-21008-0 | SCR,SET SELF-LOC 6-32 X .32 | 89 |
| 4 | 4 | - | 21001-3 | SCR,SHC 1/4-20 X .62 | 88 |
| 4 | 4 | - | 2-21000-6 | SCR, SHC 8-32 X .38 | 87 |
| 1 | 1 | - | 373469 | STOCK DRAG SPRING | 86 |
| 1 | 1 | - | 370573 | DRAG STUD | 85 |
| 2 | 2 | - | 21021-4 | NUT,HEX, SELF-LOC 10-32 | 84 |
| 2 | 2 | - | 3-21000-5 | SCR,SHC(10-32x.50) | 83 |
| - | - | - | - | - | 82 |
| 1 | 1 | - | 2-21000-6 | SCR, SHC 8-32 X .38 | 81 |
| 1 | 1 | - | 21024-4 | WASHER, LOCK #8 | 80 |
| 2 | 2 | - | 1-21030-5 | FEED FINGER PIN, DOWEL | 79 |
| 3 | 3 | - | 3-21006-8 | SCR,SET 8-32 X .25 | 78 |
| 5 | 5 | - | 21055-6 | WASHER, FLAT #8 | 77 |
| 1 | 1 | - | 21018-6 | NUT, JAM 8-32 | 76 |
| 1 | 1 | - | 4-21006-4 | SCR, SET 8-32 X .50 | 75 |
| - | - | - | - | - | 74 |
| - | - | - | - | - | 73 |
| 1 | 1 | - | 2-21549-3 | SCR,SET SELF-LOC 1/4-20 X .50 | 72 |
| 1 | 1 | - | 6-21029-9 | PIN,SLOTTED SPR .312 X 1.50 | 71 |
| -2 | -1 | U/M | PART NO | DESCRIPTION | ITEM NO |

| | | | | | |
|-----|-----|-----|-------------|----------------------------|---------|
| - | - | - | - | - | 70 |
| - | - | - | - | - | 69 |
| - | - | - | - | - | 68 |
| - | - | - | - | - | 67 |
| - | - | - | - | - | 66 |
| - | - | - | - | - | 65 |
| - | - | - | - | - | 64 |
| 1 | 1 | - | 465184-8 | LUBRICATOR ASSY | 63 |
| - | - | - | - | - | 62 |
| 1 | 1 | - | 452373-1 | PLATE I.D. | 61 |
| 3 | 3 | - | 21017-6 | SCR, RH DRIVE | 60 |
| - | - | - | - | - | 59 |
| - | - | - | - | - | 58 |
| - | - | - | - | - | 57 |
| - | - | - | - | - | 56 |
| REF | REF | - | 692655-6 | AIR VALVE ASSY | 55 |
| - | - | - | - | - | 54 |
| - | - | - | - | - | 53 |
| 1 | 1 | - | 692653-1 | AIR FEED CYLINDER SUB-ASSY | 52 |
| 1 | 1 | - | 692655-5 | AIR FEED VALVE SUB-ASSY | 51 |
| - | - | - | - | - | 50 |
| - | - | - | - | - | 49 |
| 1 | 1 | - | 570238 | BASE MOUNT | 48 |
| 1 | 1 | - | 465317-1 | BASE PLATE | 47 |
| 1 | 1 | - | 811839-3 | AUX ANVIL HOLDER | 46 |
| 1 | 1 | - | 811838-2 | ANVIL HOLDER | 45 |
| - | - | - | - | - | 44 |
| 1 | 1 | - | 689722-3 | ANVIL, .180 WIDTH | 44 |
| 1 | 1 | - | 1-689722-8 | ANVIL, .160 WIDTH | 43 |
| 1 | 1 | - | 455443-1 | DEFLECTOR, CHIP | 42 |
| 1 | 1 | - | 387083 | SHEAR SPRING | 41 |
| 1 | 1 | - | 815871-1 | BASE BLOCK | 40 |
| - | - | - | - | - | 39 |
| 1 | 1 | - | 811239-1 | SHEAR, PLATE | 39 |
| - | - | - | - | - | 38 |
| 1 | 1 | - | 469004-1 | SHEAR, FLOATING | 38 |
| - | - | - | - | - | 37 |
| 1 | 1 | - | 811239-4 | SHEAR, PLATE | 36 |
| 1 | 1 | - | 816513-1 | SHEAR, FLOATING | 35 |
| - | - | - | - | - | 34 |
| - | - | - | - | - | 33 |
| - | - | - | - | - | 32 |
| 1 | 1 | - | 815872-1 | BRACKET, FEED MOUNTING | 31 |
| - | - | - | - | - | 30 |
| - | - | - | - | - | 29 |
| 1 | 1 | - | 692968-8 | SPACER, STRIPPER | 28 |
| 2 | 2 | - | 811266-5 | STRIPPER | 27 |
| 1 | 1 | - | 692875-4 | MOUNT, STRIPPER | 26 |
| - | - | - | - | - | 25 |
| - | - | - | - | - | 24 |
| - | - | - | - | - | 23 |
| 1 | 1 | - | 815932-1 | STRIP GUIDE PLATE | 22 |
| 1 | 1 | - | 465320-5 | FRONT STRIP GUIDE | 21 |
| 1 | 1 | - | 465350-5 | REAR STRIP GUIDE | 20 |
| 1 | 1 | - | 387650-4 | DRAG, STOCK | 19 |
| - | - | - | - | - | 18 |
| 1 | 1 | - | 816514-1 | SHEAR DEPRESSOR | 17 |
| 1 | 1 | - | 370570 | SPACER | 16 |
| 1 | 1 | - | 1-1803716-0 | WIRE CRIMPER .160F | 15 |
| - | - | - | - | - | 14 |
| 1 | 1 | - | 811645-1 | TIP, FEED FINGER | 13 |
| 1 | 1 | - | 811644-1 | FINGER, FEED | 12 |
| 1 | 1 | - | 810131 | ARM, FEED FINGER | 11 |
| 1 | 1 | - | 374999 | TENSION ADJUSTING PLATE | 10 |
| - | - | - | - | - | 9 |
| - | - | - | - | - | 8 |
| 1 | 1 | - | 471167 | RAM | 7 |
| 1 | 1 | - | 815870-1 | TOOL HOLDER | 6 |
| - | - | - | - | - | 5 |
| 1 | 1 | - | 374109 | SPACER, CRIMPER | 4 |
| - | - | - | - | - | 3 |
| 1 | 1 | - | 469003-1 | SHEAR DEPRESSOR | 2 |
| - | - | - | - | - | 1 |
| 1 | 1 | - | 1803716-6 | WIRE CRIMPER .180F | 1 |
| -2 | -1 | U/M | PART NO | DESCRIPTION | ITEM NO |

THIS DRAWING IS A CONTROLLED DOCUMENT.

REVISED PER ECR-22-157911

DATE: 09NOV2022

SCALE: 1:4

SHEET 1 OF 1

REV T

TE Connectivity

STD APPL. (45 DEG ROTATED SPLICE)

00779C=566347