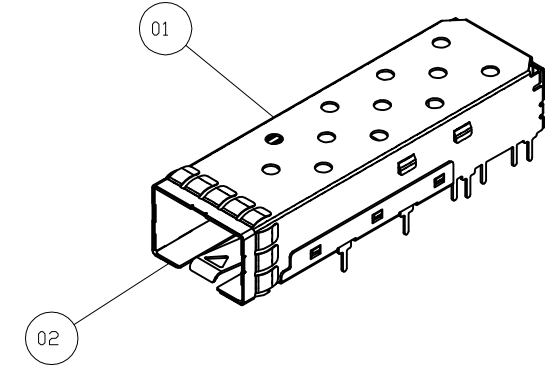
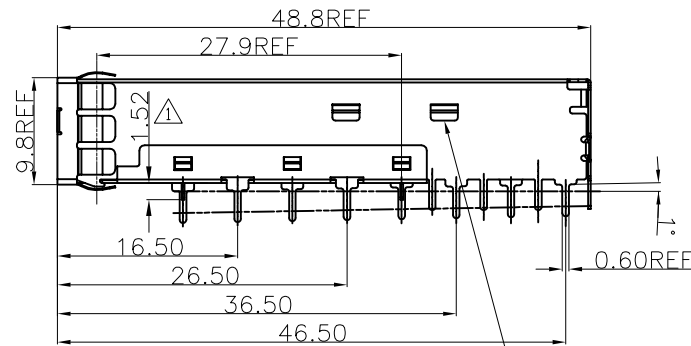
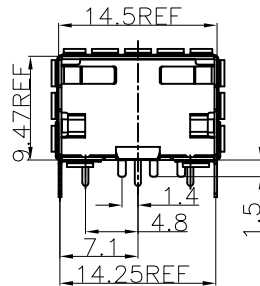
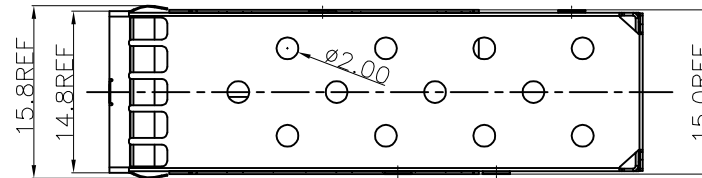
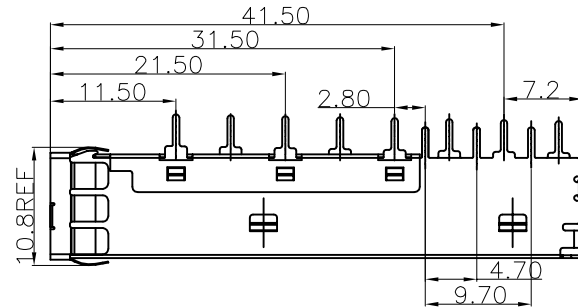


REVISION RECORD		
REV	DESCRIPTION	DRFT
1	UPDATE DIM	Jack 8/05/11'
2	MODIFY NI PLATING SPEC.	Jack 11/11/11'
3	ADD DIMENSION 1.50	Roy 7/03/13'



TABS USED TO MOUNT LIGHT PIPE

NOTE:

- | 1. DESCRIPTION                | Q'ty | MATERIAL | PLATING     |
|-------------------------------|------|----------|-------------|
| 01 SFP TOP CAGE (Non-Logo)    | 1PCS | COPPER   | MATT NICKLE |
| 02 SFP BOTTOM CAGE (Non-Logo) | 1PCS | COPPER   | MATT NICKLE |
2. PLATED: PLATED NICKEL 50u"-350u" Max
3. TEMPERATURE:  
 OPERATION: -40°C~ +85°C  
 STORAGE: -40°C~ +85°C
4. RoHS COMPLIANT

PART NUMBER
SFPPCAGE001-02-L

DETACHED LISTS	MM (INCH)	<b>RoHS Compliant</b>	<b>Pulse Electronics</b>	<b>FULL RISE ELECTRONIC CO., LTD</b>
	TOLERANCES EXCEPT AS NOTED	DFTD PETER	DATE 6/11/08'	TITLE THROUGH HOLE
	MM .0 ± 0.25 .00 ± 0.20 .000 ± 0.10	CHKD	DATE	TITLE EMI SFP CAGE ENHANCED FOR PCI
	ANGLES ± 0.5°	APPLV	DATE	DRAWING NO. CSFPPCAGE001-02-L SIZE A3 REV 3 /PART NO. SFPPCAGE001-02-L
THIRD ANGLE PROJECTION	SCALE: 1:1	DO NOT SCALE DRAWING		SHEET 1 OF 2

8

7

6

5

4

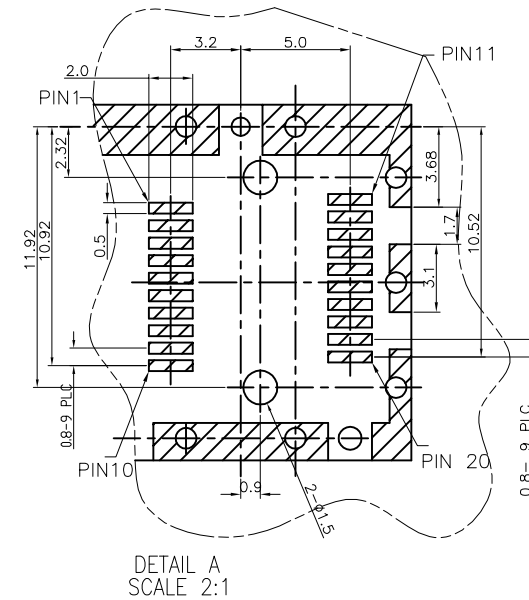
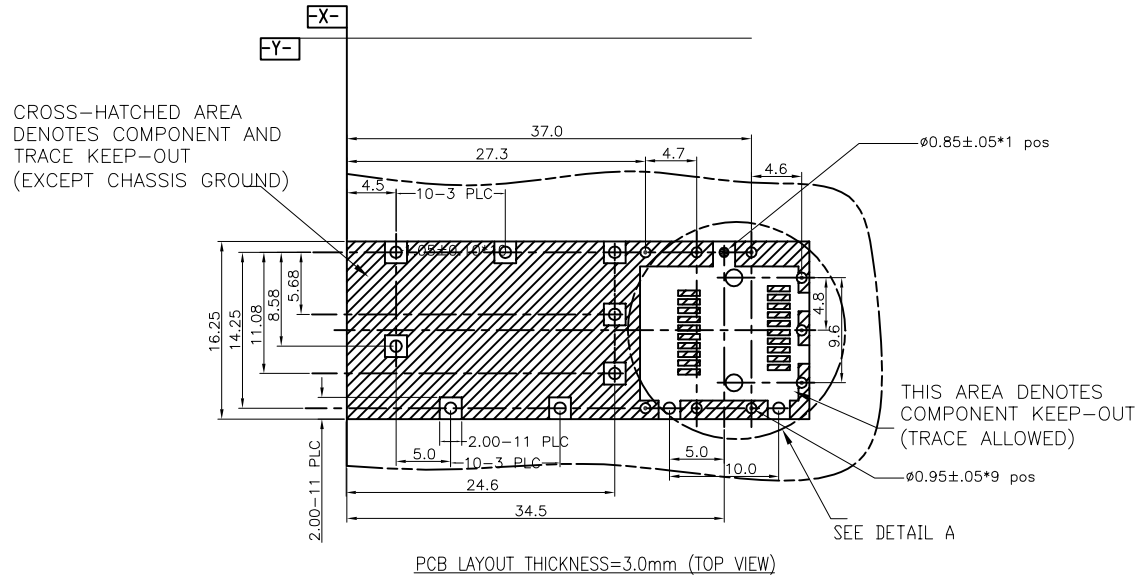
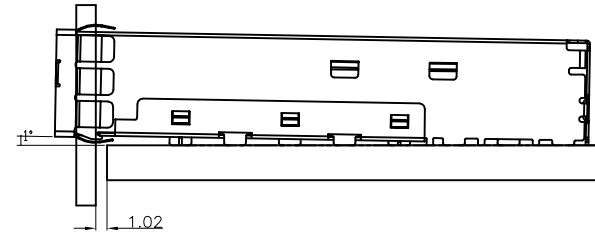
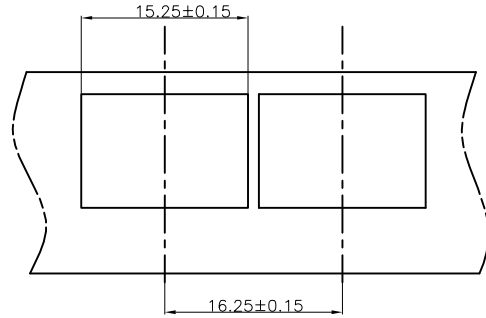
3

2

1

H  
G  
F  
E  
D  
C  
B  
A

REVISION RECORD		
REV	DESCRIPTION	DRFT
1	UPDATE DIM	Jack 8/05/11'
2	MODIFY NI PLATING SPEC.	Jack 11/11/11'
3	ADD DIMENSION 1.50	Roy 7/03/13'



- ⊙ ∅1.05 \* 10
- ∅0.95 \* 9
- ∅0.85 \* 1

Suggestion: Through hole is  $\varnothing 0.85 +0.05/-0$

		<b>RoHS Compliant</b>				<b>FULL RISE ELECTRONIC CO., LTD</b>	
<small>TOLERANCES EXCEPT AS NOTED</small>		<small>DFTO PETER</small>		<small>DATE 6/11/08'</small>		<small>TITLE</small>	
<small>MM</small> .0 ± 0.25 .00 ± 0.20 .000 ± 0.10		<small>±</small> <small>±</small> <small>±</small>		<small>CHKD</small> <small>DATE</small>		<small>THROUGH HOLE</small>	
<small>ANGLES ± 0.5°</small>		<small>APPLV</small>		<small>DATE</small>		<small>EM I SFP CAGE ENHANCED FOR PCI</small>	
		<small>THIRD ANGLE PROJECTION</small>		<small>SCALE : 1:1</small>		<small>DRAWING NO. CSFPFCAGE001-02-L</small> <small>/PART NO. SFPPFCAGE001-02-L</small>	
				<small>SIZE</small> <b>A3</b>		<small>REV</small> <b>3</b>	
<small>DO NOT SCALE DRAWING</small>						<small>SHEET</small> <b>2</b> <small>OF</small> <b>2</b>	