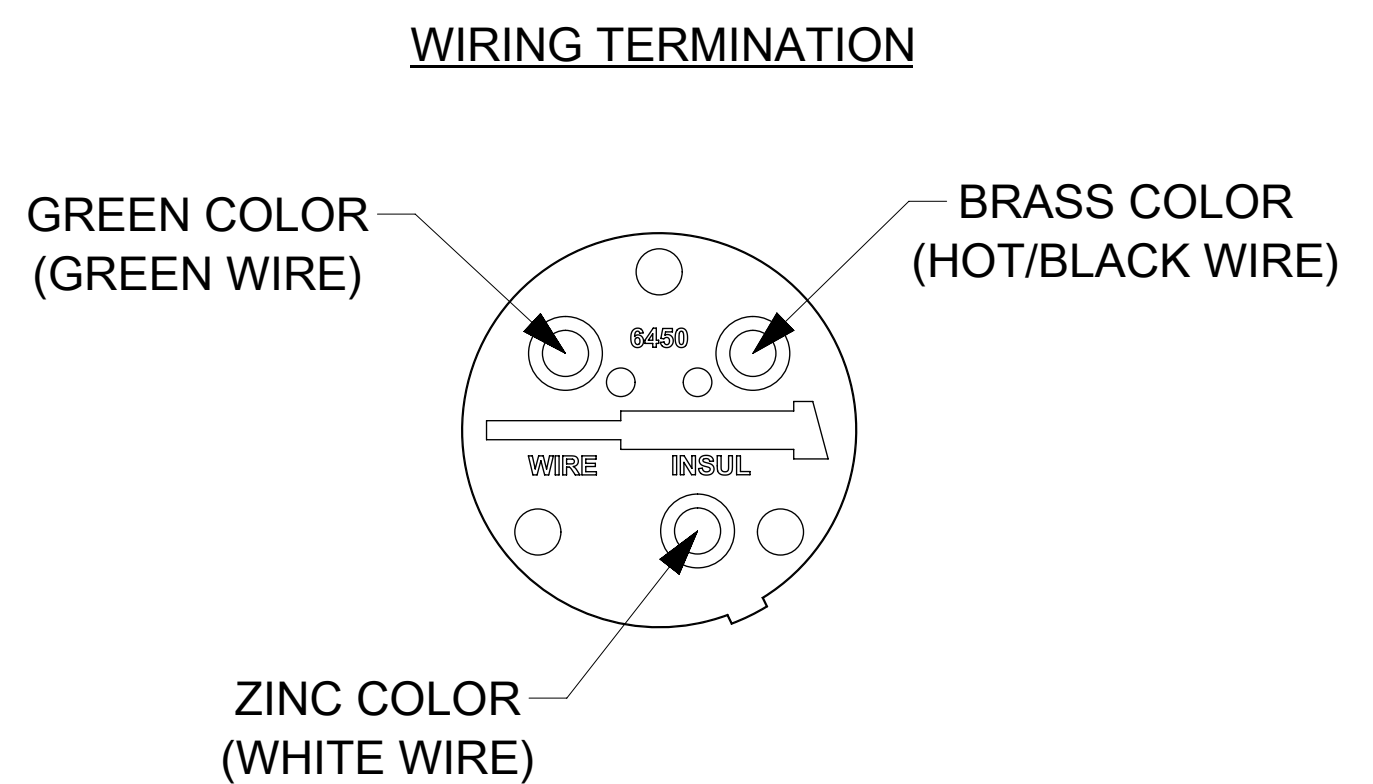
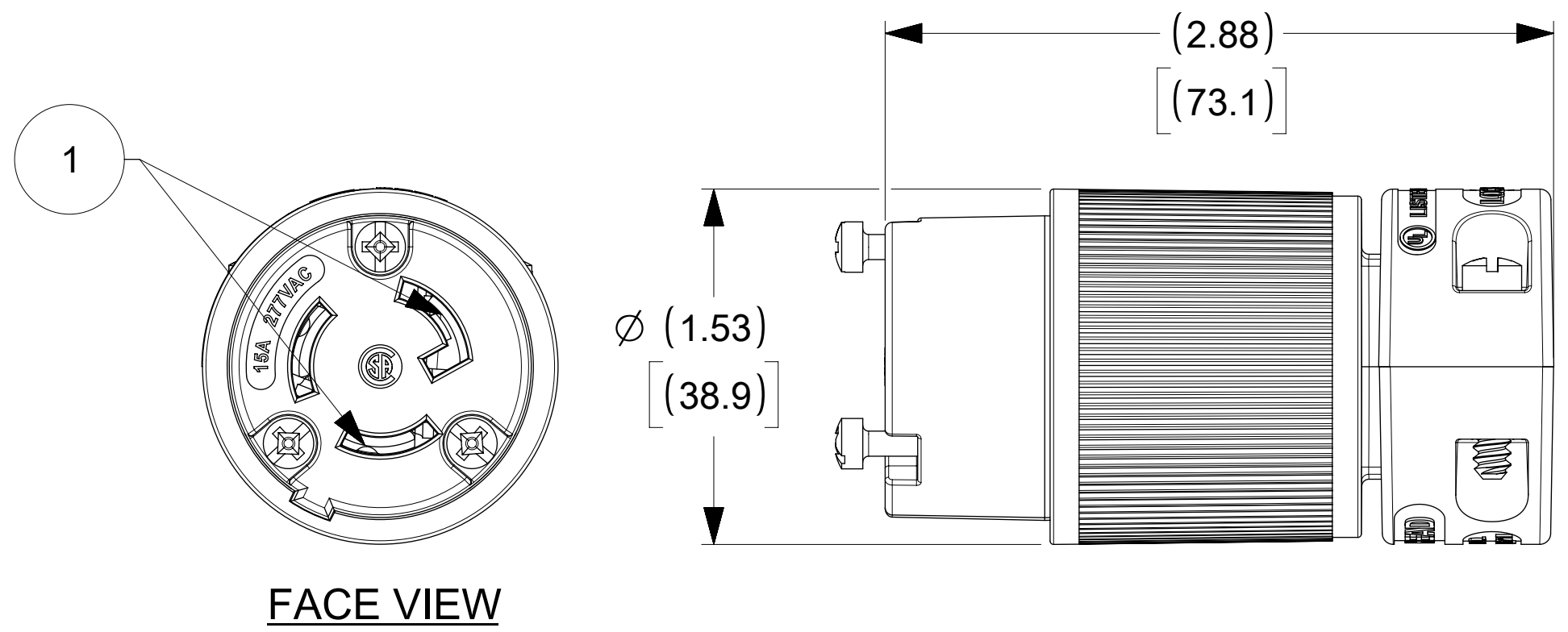
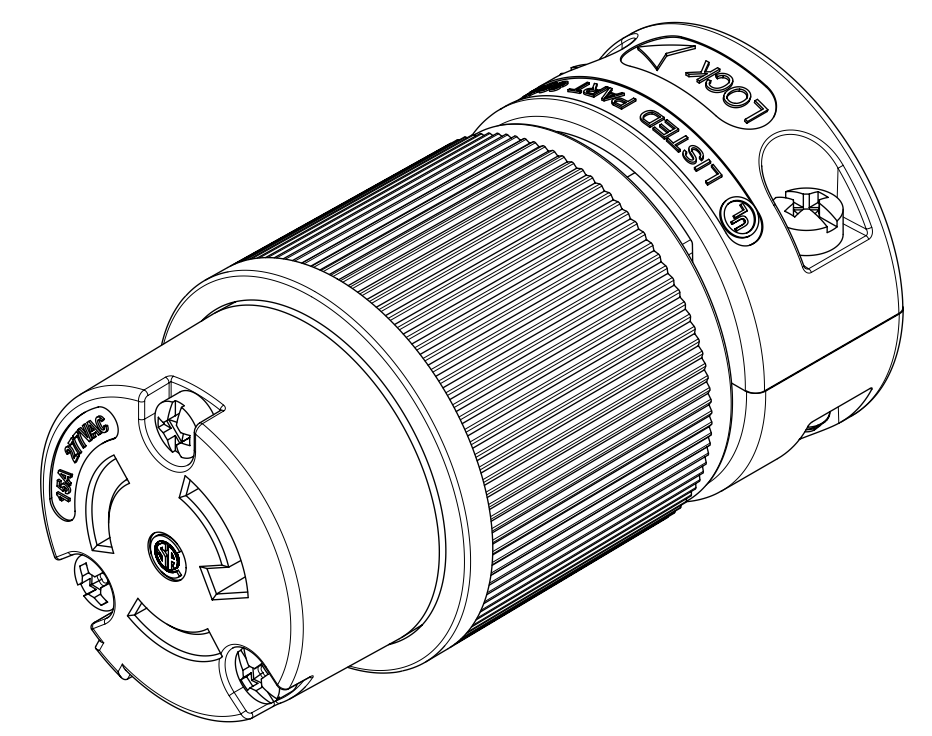
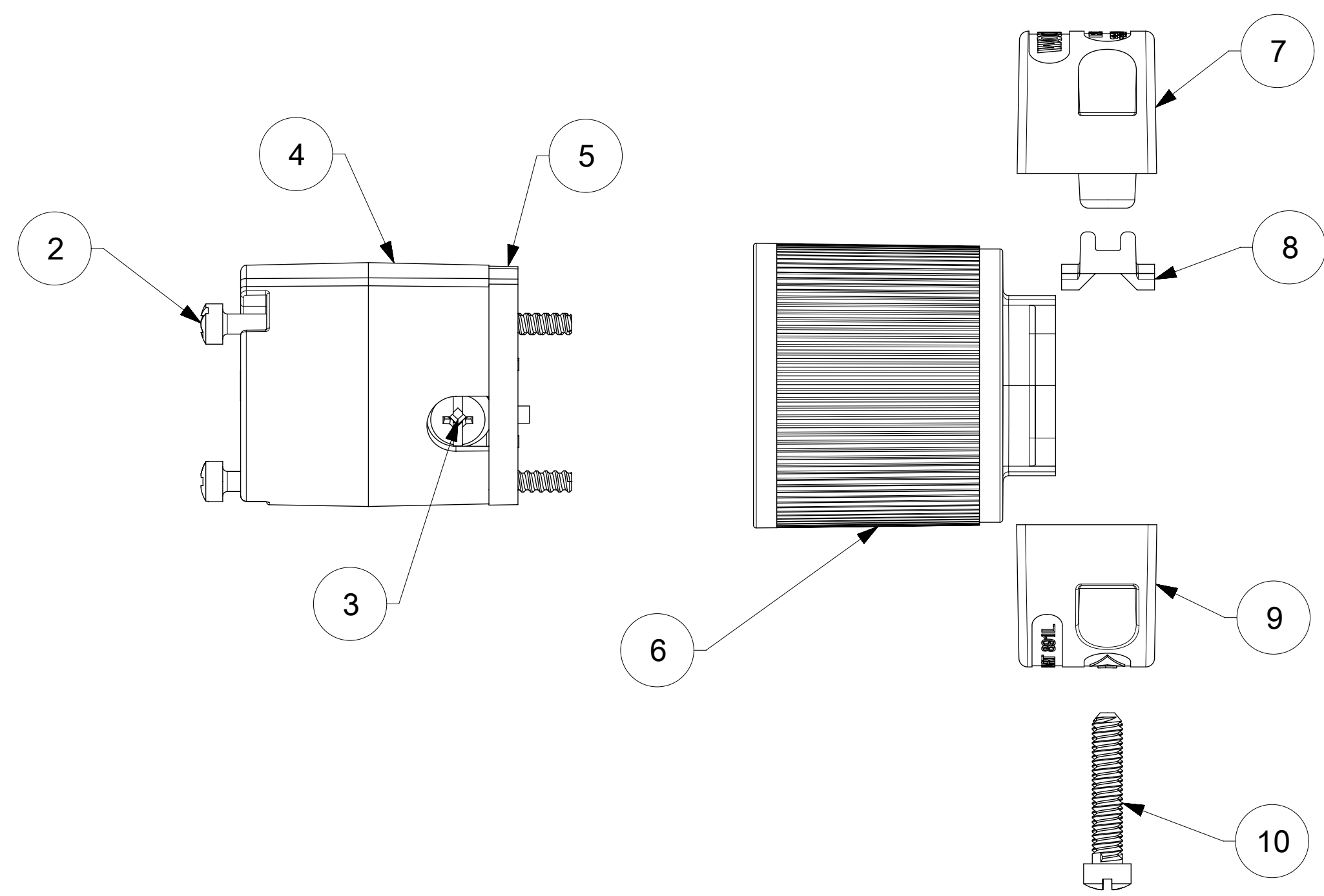


ORDER NO.	WOODHEAD NO.	COLOR
130144-0033	4779	BLACK



ITEM NO.	DESCRIPTIONS	MATERIAL	QTY.
1	BLADES	BRASS, NICKEL PLATED	3
2	RETAINING SCREWS	STAINLESS STEEL	3
3	TERMINAL SCREWS/CLAMP ASSEMBLY	BRASS, ZINC PLATED	3
4	INSERT	NYLON	1
5	TERMINAL COVER	POLYCARBONATE	1
6	HOUSING	NYLON	1
7	CLAMP CORD MALE	NYLON	1
8	CLAMP CORD INSERT	NYLON	1
9	CLAMP CORD FEMALE	NYLON	1
10	RETAINING SCREWS	STEEL, ZINC PLATED	2

PRE-RELEASE
REFERENCE
USE ONLY

THIS DRAWING CONTAINS INFORMATION THAT IS PROPRIETARY TO MOLEX ELECTRONIC TECHNOLOGIES, LLC AND SHOULD NOT BE USED WITHOUT WRITTEN PERMISSION											
SYMBOLS		DIMENSION UNITS		SCALE		CURRENT REV DESC: NEW RELEASE					
$\nabla = 0$ $\nabla = 0$ $\nabla = 0$ $\nabla = 0$ $\nabla = 0$ $\nabla = 0$ $\nabla = 0$ $\nabla = 0$ $\nabla = 0$ $\nabla = 0$		INCH[MM]		NTS		EC NO: 621778					
		GENERAL TOLERANCES (UNLESS SPECIFIED)				DRWN: VBASUTHKARP 2019/04/04					
						CHK'D: DNGUYEN62 2019/12/02					
						APPR:					
						INITIAL REVISION:					
						DRWN: VBASUTHKARP 2019/04/04					
						APPR:					
		ANGULAR TOL				THIRD ANGLE PROJECTION		DRAWING		SERIES	
		DRAFT WHERE APPLICABLE MUST REMAIN WITHIN DIMENSIONS				C-SIZE		130144		MATERIAL NUMBER	
										CUSTOMER	
										GENERAL MARKET	
										SHEET NUMBER	
										1 OF 1	

DOCUMENT STATUS	RV	RELEASE DATE	
-----------------	----	--------------	--