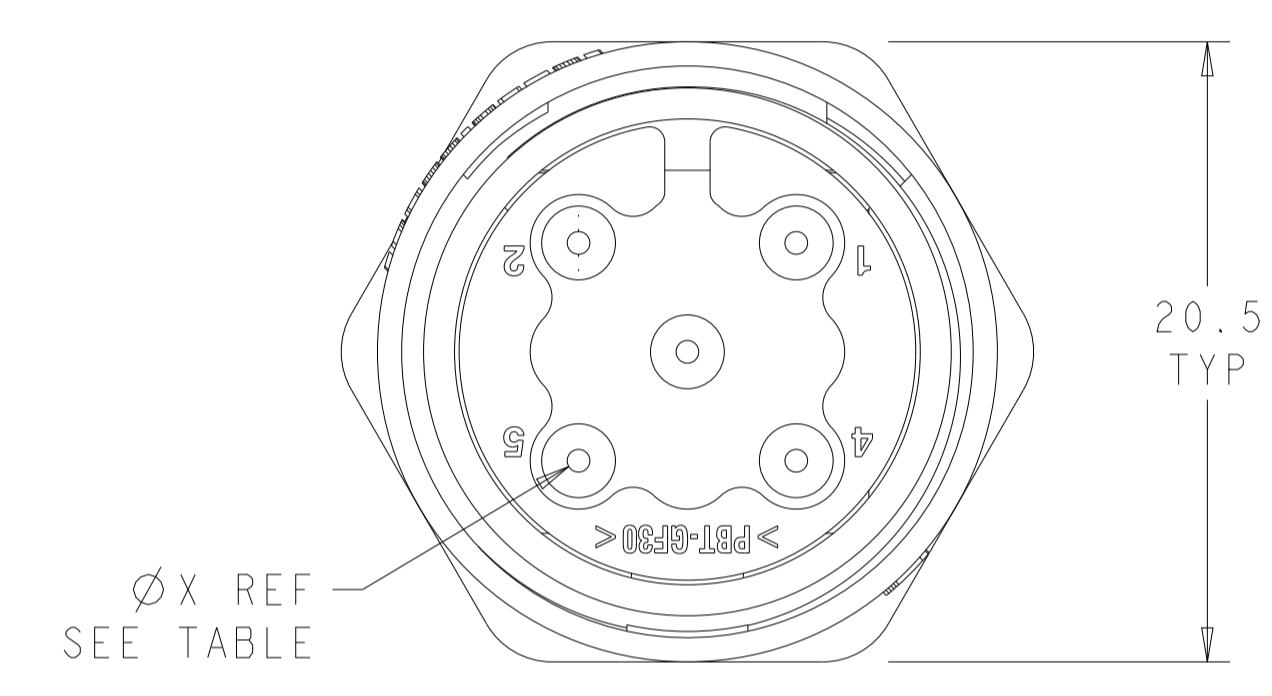
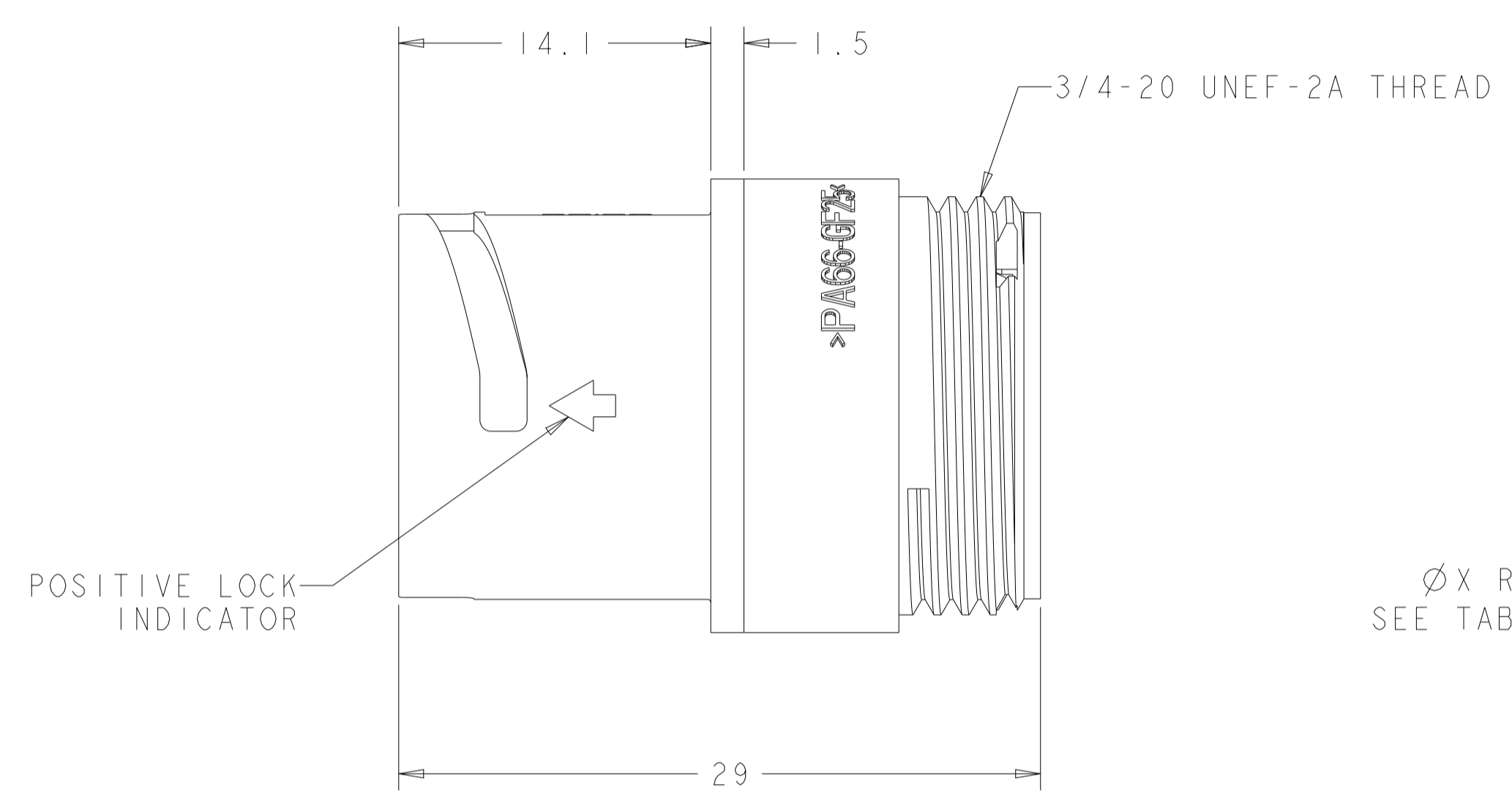
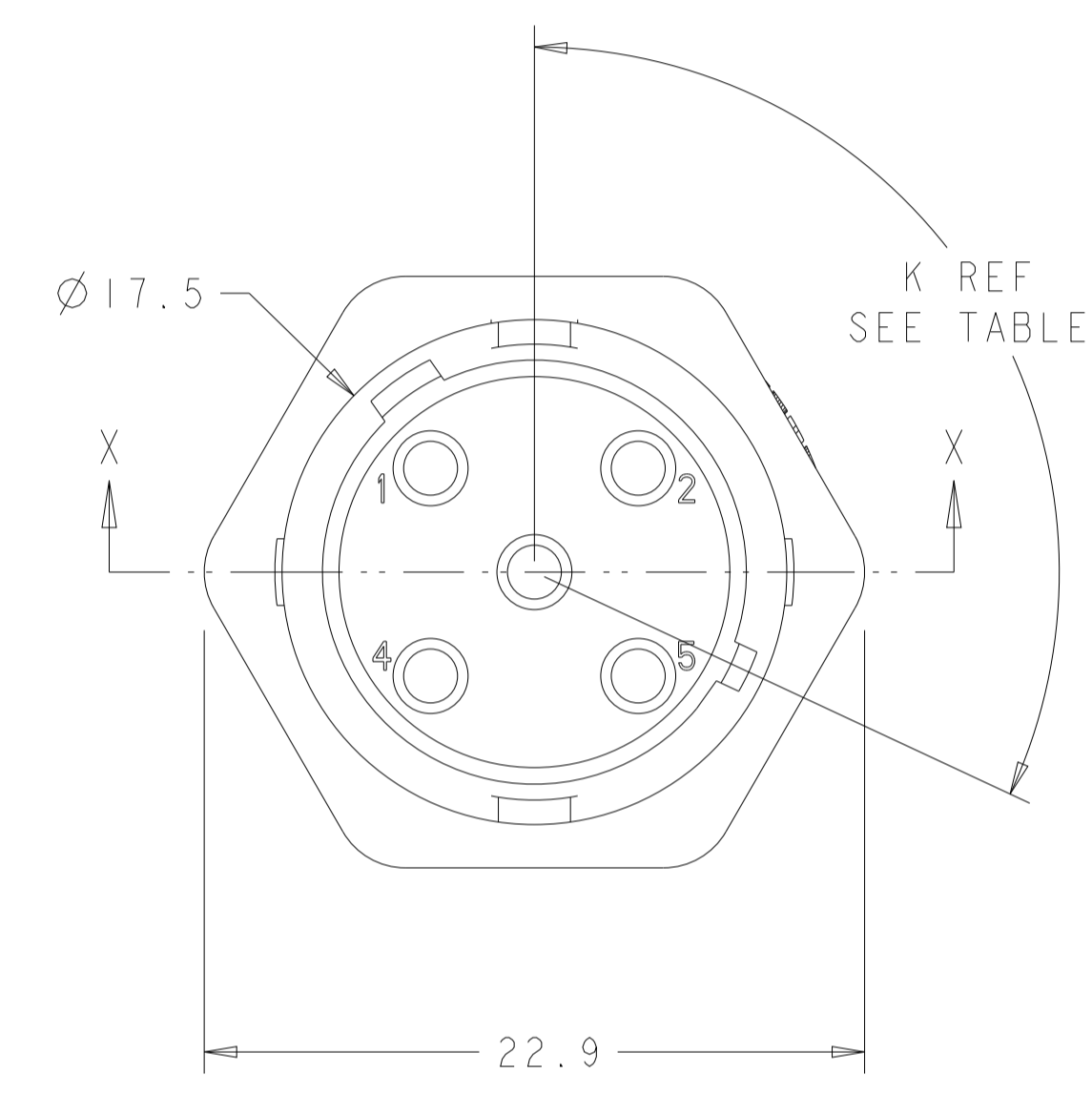
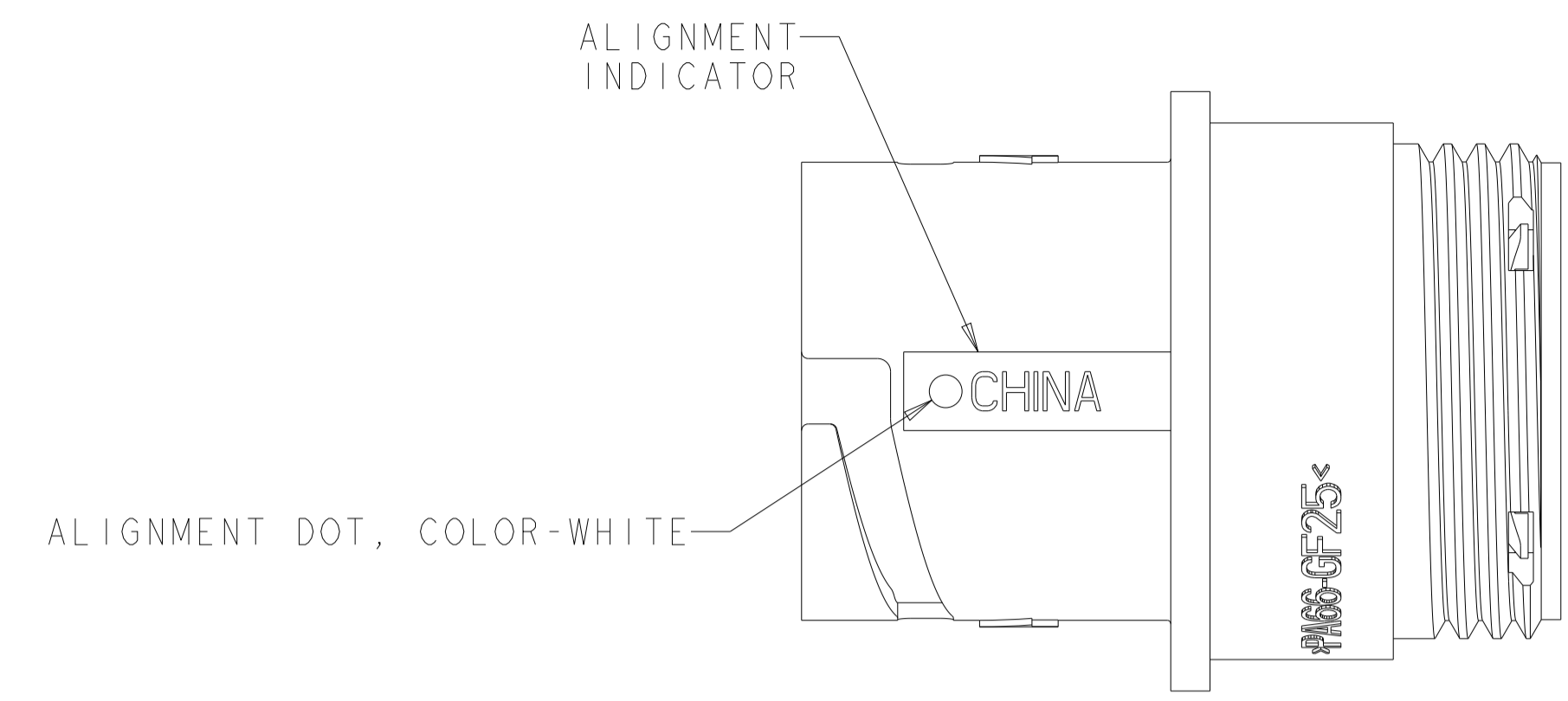
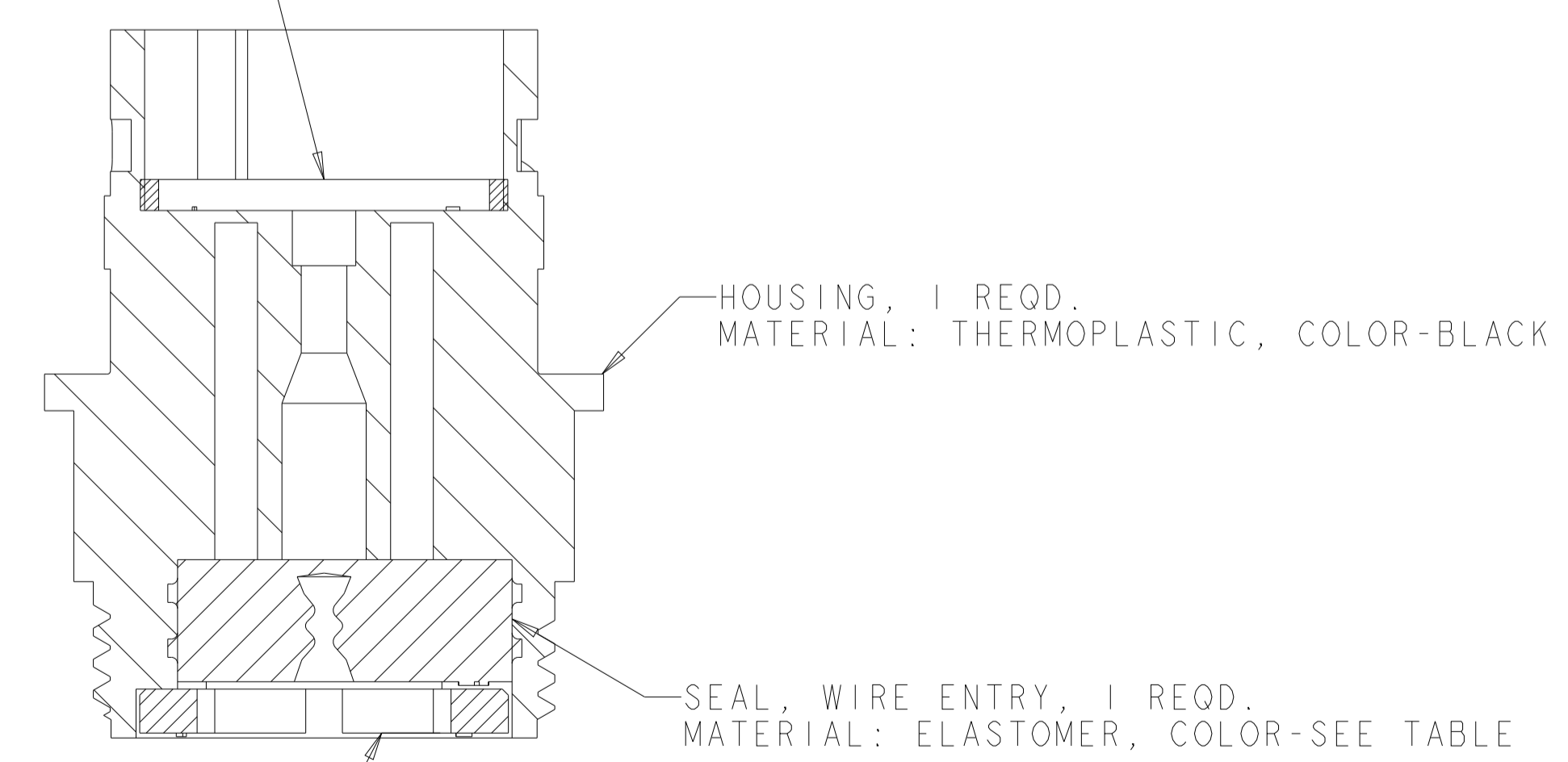


REVISIONS				
P	LTN	DESCRIPTION	DATE	APVD
D		REVISED PER ECN-22-136865	01FEB2022	RK MZ



SEAL, PERIPHERAL, 1 REQD.  
 MATERIAL: ELASTOMER, COLOR-BLACK



SECTION X-X

OBSELETE	YELLOW	$\phi 0.75$	135°	1445829-04
	NATURAL	$\phi 1.5$	115°	1445829-03
OBSELETE	NATURAL	$\phi 1.5$	135°	1445829-02
	YELLOW	$\phi 0.75$	115°	1445829-01
	SEAL, WIRE ENTRY COLOR	$\phi X$ REF	K REF	PART NUMBER

THIS DRAWING IS A CONTROLLED DOCUMENT.

DIMENSIONS: mm 	TOLERANCES UNLESS OTHERWISE SPECIFIED: 0 PLC ± 1 PLC ± 2 PLC ±0.13 3 PLC ± 4 PLC ± ANGLES ± FINISH -	DWG: SHANE WIESE 23OCT2001 CHK: G DOUTY 23OCT2001 APVD: H. WAKEEM 13JUN2003 PRODUCT SPEC APPLICATION SPEC WEIGHT CUSTOMER DRAWING	NAME: ASSEMBLY, SIZE 11, 5 POSITION, FREE HANGING, SEALED, MINI CPC SIZE: A1 CAGE CODE: 100779 DRAWING NO: 1445829 RESTRICTED TO: - SCALE: 4:1 SHEET: 1 OF 1 REV: D
-----------------------	---	---	--

TE Connectivity