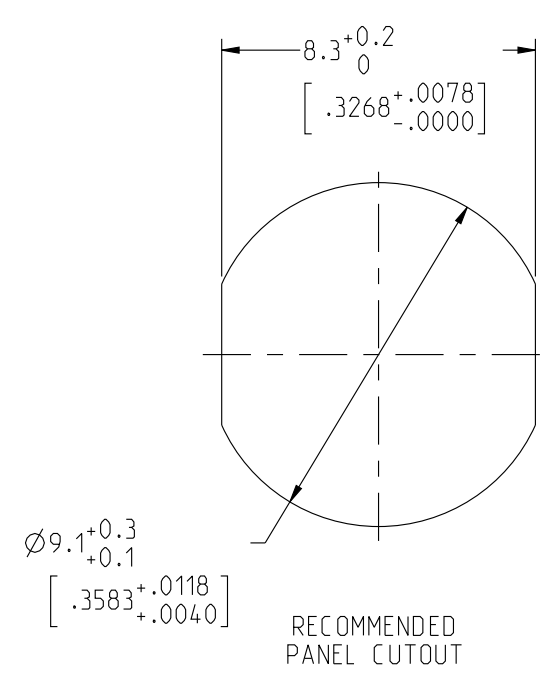
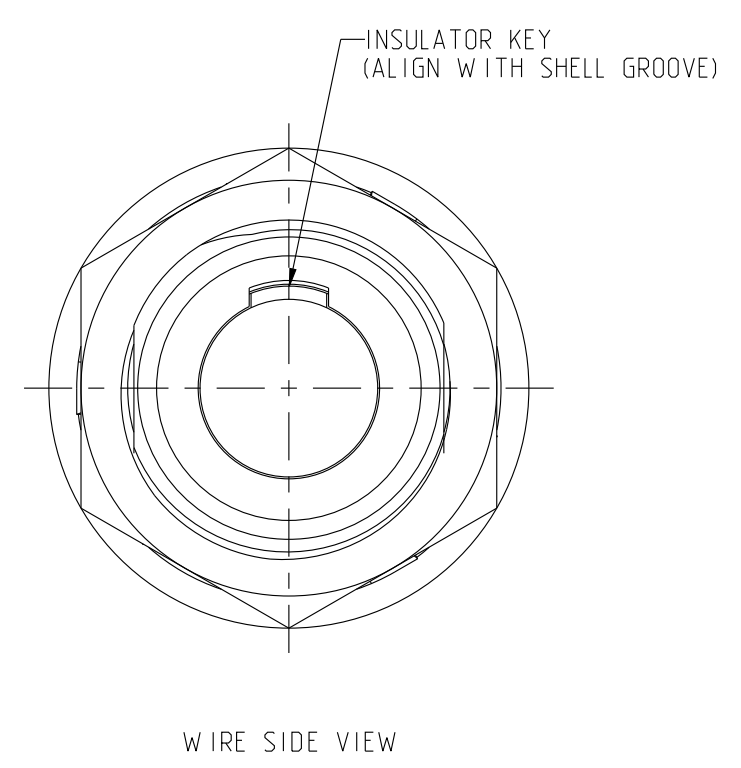
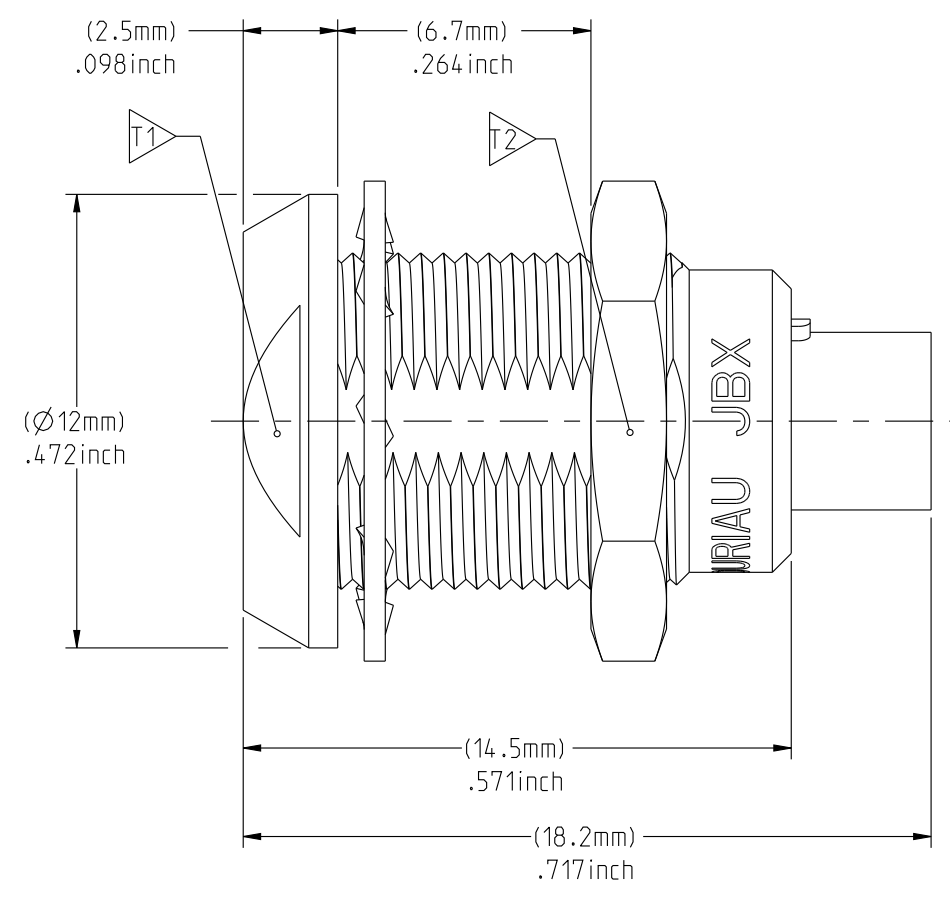
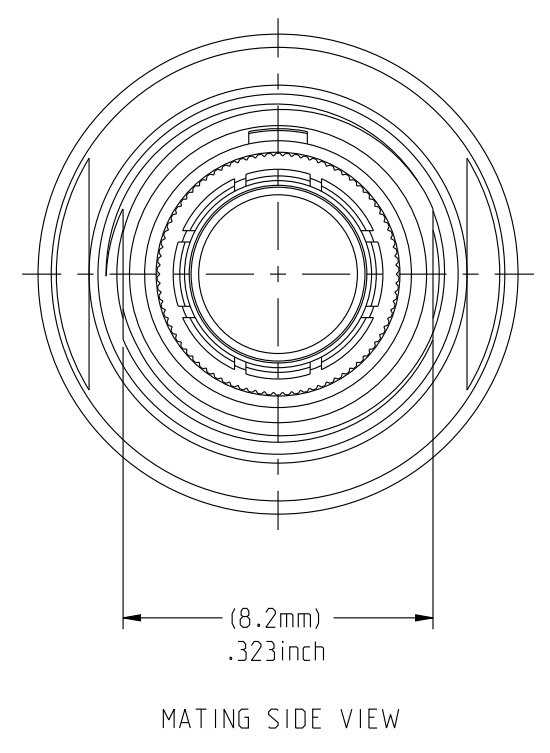


ELECTRICAL:
 EMI SHIELDING : SHIELDED FOR THE RANGE 55dB UP TO 100MHz
 INSULATION RESISTANCE : >500MΩ PER ANSI-EIA-364-D METHOD 21
 MAX. CURRENT RATING : SEE INSULATOR DRAWING
 CONNECTOR TESTING : SEE INSULATOR DRAWING VOLTAGE
 CONNECTOR WORKING : SEE INSULATOR DRAWING VOLTAGE

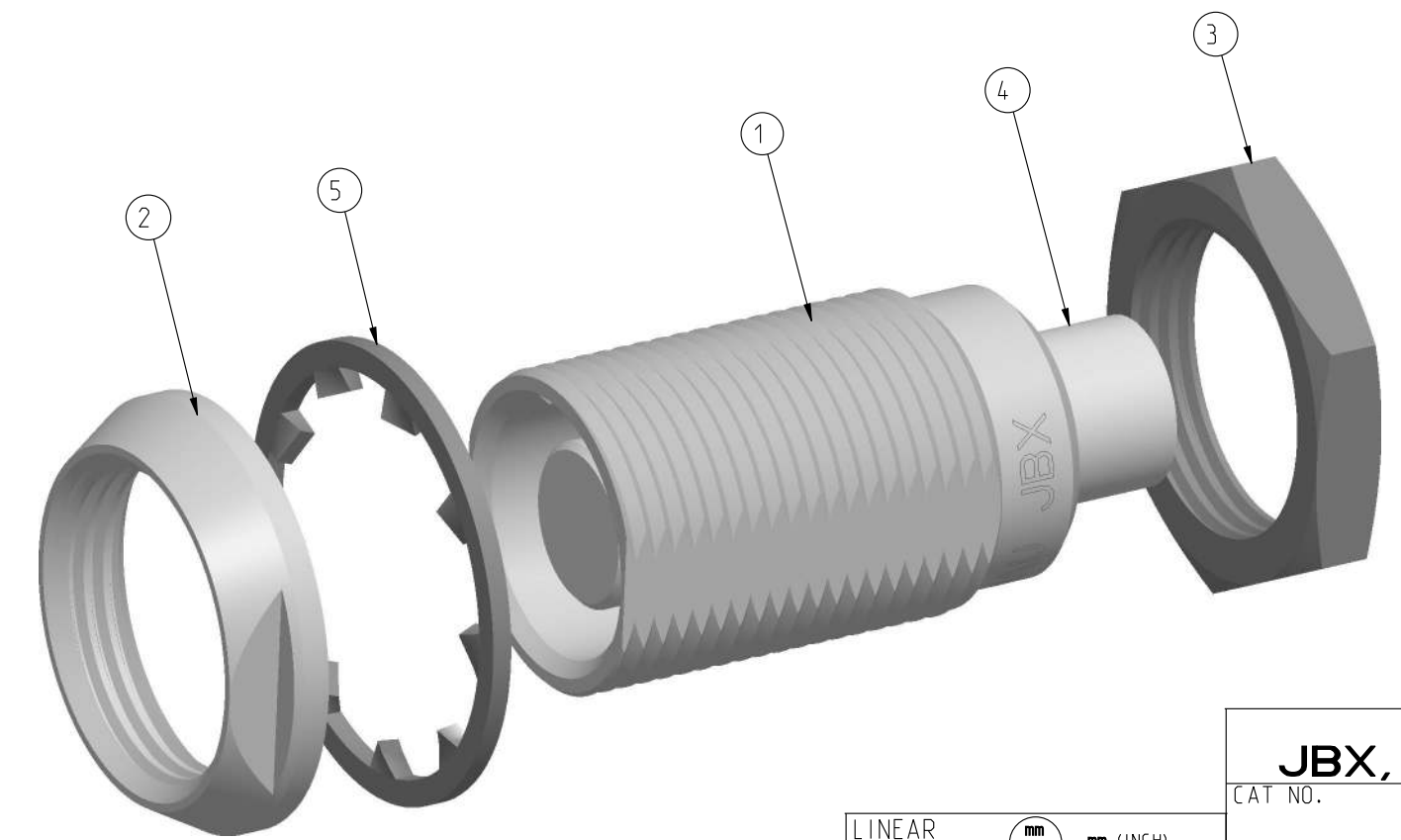
ENVIRONMENTAL:
 ENDURANCE: 1000 CYCLES AS PER MIL-STD 1344A, METHOD 2016.1
 SHOCK: 50 g , DURATION 6 ms; AS PER MIL-STD 1344A, METHOD 2004.1
 VIBRATIONS: 10 TO 2000Hz g = 20g, AS PER MIL-STD 1344A, METHOD 2005.1
 PROTECTION INDEX: IP 40 AS PER IEC 529
 ROHS COMPLIANT
 SALT MIST : 48Hr PER SAE AS 1344 METHOD 1001.1 CEI 529
 OPERATING TEMPERATURE: -55°C TO +125°C (-67°F TO +257°F)



NOTES:
MATERIAL:
 OUTER SHELL & PANEL NUT : BRASS
 SHIELD RING & NUT :
FINISH:
 OUTER SHELL & PANEL NUT : CHROME
 OTHER BRASS PARTS : NICKEL
TOOLS



| PART LIST | |
|-----------|-------------|
| ITEM NO. | DESCRIPTION |
| 1 | SHELL |
| 2 | PANEL NUT |
| 3 | HEX NUT |
| 4 | INSULATOR |
| 5 | LOCK WASHER |



| | TOOLS (JAW DIMENSION) | ADVISED TORQUE IN Nm |
|----|-----------------------|----------------------|
| T1 | 10 | 0.7 |
| T2 | 11 | 0.7 |

CATALOG NUMBER DESCRIPTION

JBX EA 0 XXXXXDX -

BASIC SERIES _____ **OPTION**
SHELL TYPE _____ **INSERT MATERIAL**
SHELL SIZE _____ **COLLET OPTION**
KEYING _____ **SURFACE PLATING**
SEE INSULATOR DRAWING

| ORIGIN | COUNTRY | JURISDICTION | CLASSIFICATION |
|--------|---------|--------------|----------------|
| X | FR | Not listed | N/A |
| | US | EAR | ECCN =EAR99 |

These commodities, technology or software are exported from the United States in accordance with the Export Administration Regulations. Diversion contrary to U.S. law is prohibited.

| | |
|---------------------------------------|--------------|
| LINEAR MEASURE: | mm (INCH) |
| THIRD ANGLE PROJECTION | |
| TOLERANCES UNLESS OTHERWISE SPECIFIED | |
| No. OF PLACES | mm [INCH] |
| W HOLE No. | ±0.5 [±.02] |
| ONE PLACE | ±0.2 [±.008] |
| TWO PLACES | ±0.1 [±.004] |
| ANGLES ±1° | |

DRAWING TITLE
JBX, SIZE O, DOUBLE NUT RECEPTACLE

CAT NO. **JBXEAO**

CAGE NO: 09922 SIZE: C

CUSTOMER

INTERPRET THIS DRAWING IN ACCORDANCE WITH ASME Y14.5M - 1994.

SOURIAU
 WWW.SOURIAU.COM

APPROVAL
 DRAWN: TJS 01-07-15
 CHKD : EV 01-07-15
 DSGN : EV 01-07-15
 MFG : DH 01-07-15
 QC : BB 01-07-15
 DRAWING SCALE: 5:1
 DRAWING NO. **JBXEAOC**
 REV **A**

1 OF 1

THIS DRAWING IS A CONTROLLED DOCUMENT FOR SOURIAU USA, INC. IT IS SUBJECT TO CHANGE WITHOUT NOTIFICATION. CONTACT THE DOCUMENT CONTROL CENTER FOR THE LATEST REVISION.

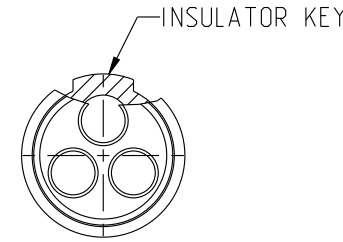
THE INFORMATION CONTAINED IN THIS DRAWING IS CONFIDENTIAL AND MAY NOT BE DISCLOSED WITHOUT WRITTEN CONSENT FROM SOURIAU USA, INC.

DWG. NO.
JBX0INSFSC

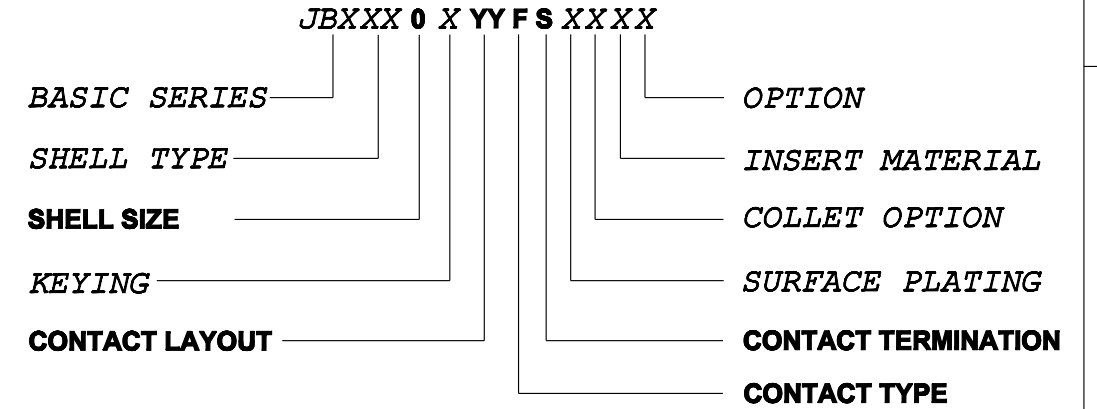
FEMALE INSULATOR, SOLDER CONTACT

| CONTACT LAYOUT | 02 | 03 | 04 |
|----------------------------|-------------------------|---------|---------|
| FRONT SIDE VIEW | | | |
| REAR SIDE VIEW | | | |
| CONTACT | | | |
| ISO VIEW | | | |
| CONTACT | ØC | 0.9 | 0.7 |
| | ØF | 0.8 | 0.81 |
| | MAX. AWG | 24 | 22 |
| | MAX. CURRENT RATING (A) | 10 | 7 |
| INSULATOR | CONTACT RESISTANCE (mΩ) | 3.5 | 5 |
| | NUMBER OF CAVITY | 2 | 4 |
| | MAX. CURRENT RATING | 10 | 7 |
| | TEST VOLTAGE (Vrms) | 1400 | 1350 |
| WORKING VOLTAGE (Vdc/Vrms) | 660/460 | 600/420 | 660/460 |

CONTACT TYPE : F (FEMALE)
CONTACT TERMINATION : S (SOLDER)
MATERIAL :
 CONTACT: CUPRO-NICKEL
 CLIP: COPPER ALLOY
 INSULATOR: PEEK
FINISH :
 CONTACTS : GOLD



CATALOG NUMBER DESCRIPTION



| | | | |
|-----|------------------------|--------------|-------------|
| B | REVISED PER ECN 12286 | RSK 06-10-15 | EV 06-10-15 |
| A | RELEASED PER ECN 12264 | TJS 03-10-15 | EV 03-10-15 |
| REV | DESCRIPTION | BY DATE | CHKD DATE |

DRAWING TITLE
JBX, SIZE O, FEMALE INSULATOR, SOLDER CONTACT

CAT NO. **JBX0INSFSC**

CAGE NO: 09922 SIZE: B

| | | | | |
|---|------------------------|----------|-------------------|----------|
| CUSTOMER | SOURIAU | APPROVAL | DRAWN: TJS | 02-04-15 |
| | | | CHKD : EV | 02-04-15 |
| INTERPRET THIS DRAWING IN ACCORDANCE WITH ASME Y14.5M - 1994. | WWW.SOURIAU.COM | | DSGN : EV | 02-04-15 |
| | | | MFG : DH | 02-04-15 |
| | | | QC : BB | 02-04-15 |
| | | | DRAWING SCALE: NA | |
| | | | DRAWING NO. | REV |
| | | | JBX0INSFSC | B |
| | | | 1 OF 2 | |

| ORIGIN | COUNTRY | JURISDICTION | CLASSIFICATION |
|--------|---------|--------------|----------------|
| X | FR | Not listed | N/A |
| | US | EAR | ECCN =EAR99 |

These commodities, technology or software are exported from the United States in accordance with the Export Administration Regulations. Diversion contrary to U.S. law is prohibited

LINEAR MEASURE: $\frac{mm}{INCH}$ mm (INCH)
 THIRD ANGLE PROJECTION

 TOLERANCES UNLESS OTHERWISE SPECIFIED
 No. OF PLACES mm [INCH]
 ONE PLACE ±3 [±.1]
 TWO PLACES ±0.5 [±.02]
 THREE PLACES ±0.25 [±.010]
 ANGLES ±1°

THIS DRAWING IS A CONTROLLED DOCUMENT FOR SOURIAU USA, INC. IT IS SUBJECT TO CHANGE WITHOUT NOTIFICATION. CONTACT THE DOCUMENT CONTROL CENTER FOR THE LATEST REVISION.

THE INFORMATION CONTAINED IN THIS DRAWING IS CONFIDENTIAL AND MAY NOT BE DISCLOSED WITHOUT WRITTEN CONSENT FROM SOURIAU USA, INC.

B

A

DWG. NO.
JBXOINSFSC

| CONTACT LAYOUT | 05 | 06 | 07 | 08 |
|-----------------|----|----|----|----|
| FRONT SIDE VIEW | | | | |
| REAR SIDE VIEW | | | | |
| CONTACT | | | | |
| ISO VIEW | | | | |

| | CONTACT | | | | |
|-------------------------|----------------------------|---------|---------|---------|---------|
| | 05 | 06 | 07 | 08 | |
| ØC | 0.7 | 0.5 | 0.5 | 0.5 | |
| ØF | 0.81 | 0.5 | 0.5 | 0.5 | |
| MAX. AWG | 22 | 28 | 28 | 28 | |
| MAX. CURRENT RATING (A) | 7 | 5 | 5 | 5 | |
| CONTACT RESISTANCE (mΩ) | 5 | 10 | 10 | 10 | |
| NUMBER OF CAVITY | 5 | 6 | 7 | 8 | |
| INSULATOR | MAX. CURRENT RATING | 6.5 | 2.5 | 2 | |
| | TEST VOLTAGE (Vrms) | 800 | 680 | 680 | |
| | WORKING VOLTAGE (Vdc/Vrms) | 400/260 | 320/220 | 320/220 | 190/130 |

THIS DRAWING IS A CONTROLLED DOCUMENT FOR SOURIAU USA, INC. IT IS SUBJECT TO CHANGE WITHOUT NOTIFICATION. CONTACT THE DOCUMENT CONTROL CENTER FOR THE LATEST REVISION.

THE INFORMATION CONTAINED IN THIS DRAWING IS CONFIDENTIAL AND MAY NOT BE DISCLOSED WITHOUT WRITTEN CONSENT FROM SOURIAU USA, INC.

B

A

DRAWING TITLE
JBX, SIZE O, FEMALE INSULATOR, SOLDER CONTACT

CAT NO. **JBXOINSFS**

CAGE NO: 09922 SIZE: B

| | | | |
|-----------------|----------------|-------------------|---------------------|
| CUSTOMER | SOURIAU | APPROVAL | DRAWN: TJS 02-04-15 |
| | | | CHKD : EV 02-04-15 |
| | | | DSGN : EV 02-04-15 |
| | | | MFG : DH 02-04-15 |
| | | | QC : BB 02-04-15 |
| | | DRAWING SCALE: NA | |
| | | DRAWING NO. | REV |
| | | JBXOINSFSC | B |
| | | 2 OF 2 | |

INTERPRET THIS DRAWING IN ACCORDANCE WITH ASME Y14.5M - 1994.

WWW.SOURIAU.COM

| ORIGIN | COUNTRY | JURISDICTION | CLASSIFICATION |
|--------|---------|--------------|----------------|
| X | FR | Not listed | N/A |
| | US | EAR | ECCN =EAR99 |

These commodities, technology or software are exported from the United States in accordance with the Export Administration Regulations. Diversion contrary to U.S. law is prohibited

LINEAR MEASURE: $\frac{mm}{INCH}$ mm (INCH)

THIRD ANGLE PROJECTION

TOLERANCES UNLESS OTHERWISE SPECIFIED

| No. OF PLACES | mm [INCH] |
|---------------|---------------|
| ONE PLACE | ±3 [±.1] |
| TWO PLACES | ±0.5 [±.02] |
| THREE PLACES | ±0.25 [±.010] |

ANGLES ±1°