

GloTek, Inc. www.globtek.com 186 Veterans Drive, Northvale, NJ 07647 Tel. (201) 784-1000 Fax (201) 784-0111	Drawing Title: USB TYPE C MALE 2.0, 5.1kΩ pull-down resistor, MOLD USB00015 compliant with Directive (EU) 2022/2380 and 2014/53/EU Radio Equipment Directive (RED) to Stripped and Tinned ROJ 12.7 mm, RIJ 2.5 mm, GT Cable #UL 2725 28AWG*1pair + 28AWG*2C +Al-mylar + Drain wire + Braid + PVC-050: SEE CODE / 4 + SHIELD Conductors, 3.8mm OD, UL 2725, 80° Deg.C, 30VV, 28AWG*1P(Green&White) + 28AWG*2C(Red&Black), Approvals: E353532 兲 AWM 2725 80°C 30V VW-1 YEMAO, 1830±50mm, GlobTek Black	
	Model No. Low voltage cable	
Part No./Ordering No. USBC27251M8A005RD(R)		Rev A

CUSTOMIZED LENGTHS, COLORS, CABLE TYPES, TERMINATIONS/PLUGS/RECEPTACLES AVAILABLE UPON REQUEST. ADDITIONAL PLUG OPTIONS ARE AVAILABLE AT <https://www.globtek.com/connectors/> STANDARD PLUGS AND CONNECTORS CAN BE SEEN ONLINE AT <https://www.globtek.com/connectors/> ACTUAL CONNECTORS, OVERMOLDS, FERRITES MAY VARY SLIGHTLY FROM THE PICTURE BELOW DIMENSIONS ARE IN MM UNLESS SPECIFIED OTHERWISE

In Addition to GlobTek Inc.'s renewed ISO9001:2008 - Quality Management System Certification, GlobTek Inc. is now certified to:

ISO13485:2003 - Medical Devices Quality Management System Certification
ISO14001:2004 - Environmental Management System Certification

ISO Certificates are available online at <https://www.globtek.com/iso-certificates/>

Prop 65 Statement:<https://en.globtek.com/prop-65-statement.pdf>

The acceptance of this specification and use of the product described in this document indicates the acceptance and binding of the customer to Globtek TERMS AND CONDITIONS (attached to the end of this document), which supersede all other agreements, terms, and conditions (<https://en.globtek.com/terms-and-conditions/>).

The purchaser of this product (Customer) agrees that it is their sole responsibility to determine suitability/fitness of the product described in this specification for their application and to take precautions for protection against any hazards attendant to the handling and use of the product.

Footnote:

GlobTek Inc. will not be liable for the safety and performance of these power supplies if unauthorized access and repair occurs. End user should consult applicable UL, CSA or EN standards for proper installation instruction.

Limitation of Use:

GlobTek products are intended for use with commercial, medical, and/or industrial equipment only. GlobTek product are not authorized for use as mission critical components in life support hazardous environment, nuclear or aircraft applications without prior written approval from the CEO of GlobTek Inc.
Contents of this document are subject to change without prior notice.

Customer Approval of Specification:

Please approve, sign and send back to GlobTek so we can complete order processing.

A delay in receipt of this form will delay delivery schedule.

Company Name: _____

Customer P/N: _____

Quote Number: _____

Date: _____

Authorized Representative Name: _____

Authorized Representative Signature: _____

GlobTek, Inc. www.globtek.com 186 Veterans Drive, Northvale, NJ 07647 Tel. (201) 784-1000 Fax (201) 784-0111	Drawing Title: USB TYPE C MALE 2.0, 5.1k Ω pull-down resistor, MOLD USB00015 compliant with Directive (EU) 2022/2380 and 2014/53/EU Radio Equipment Directive (RED) to Stripped and Tinned ROJ 12.7 mm, RIJ 2.5 mm, GT Cable #UL 2725 28AWG*1pair + 28AWG*2C +Al-mylar + Drain wire + Braid + PVC-050: SEE CODE / 4 + SHIELD Conductors, 3.8mm OD, UL 2725, 80° Deg.C, 30VV, 28AWG*1P(Green&White) + 28AWG*2C(Red&Black), Approvals: E353532 兪 AWM 2725 80°C 30V VW-1 YEMAO, 1830 \pm 50mm, GlobTek Black	
	Model No. Low voltage cable	
Part No./Ordering No. USBC27251M8A005RD(R)		Rev A

CUSTOMIZED LENGTHS, COLORS, CABLE TYPES, TERMINATIONS/PLUGS/RECEPTACLES AVAILABLE UPON REQUEST. ADDITIONAL PLUG OPTIONS ARE AVAILABLE AT <https://www.globtek.com/connectors/> STANDARD PLUGS AND CONNECTORS CAN BE SEEN ONLINE AT <https://www.globtek.com/connectors/> ACTUAL CONNECTORS, OVERMOLDS, FERRITES MAY VARY SLIGHTLY FROM THE PICTURE BELOW DIMENSIONS ARE IN MM UNLESS SPECIFIED OTHERWISE

REVISION HISTORY

REV	DESCRIPTION	SUB	DATE	APPROVED
A	Initial release	dhock	10/28/2022	DOROTHEA

Cordset Information:

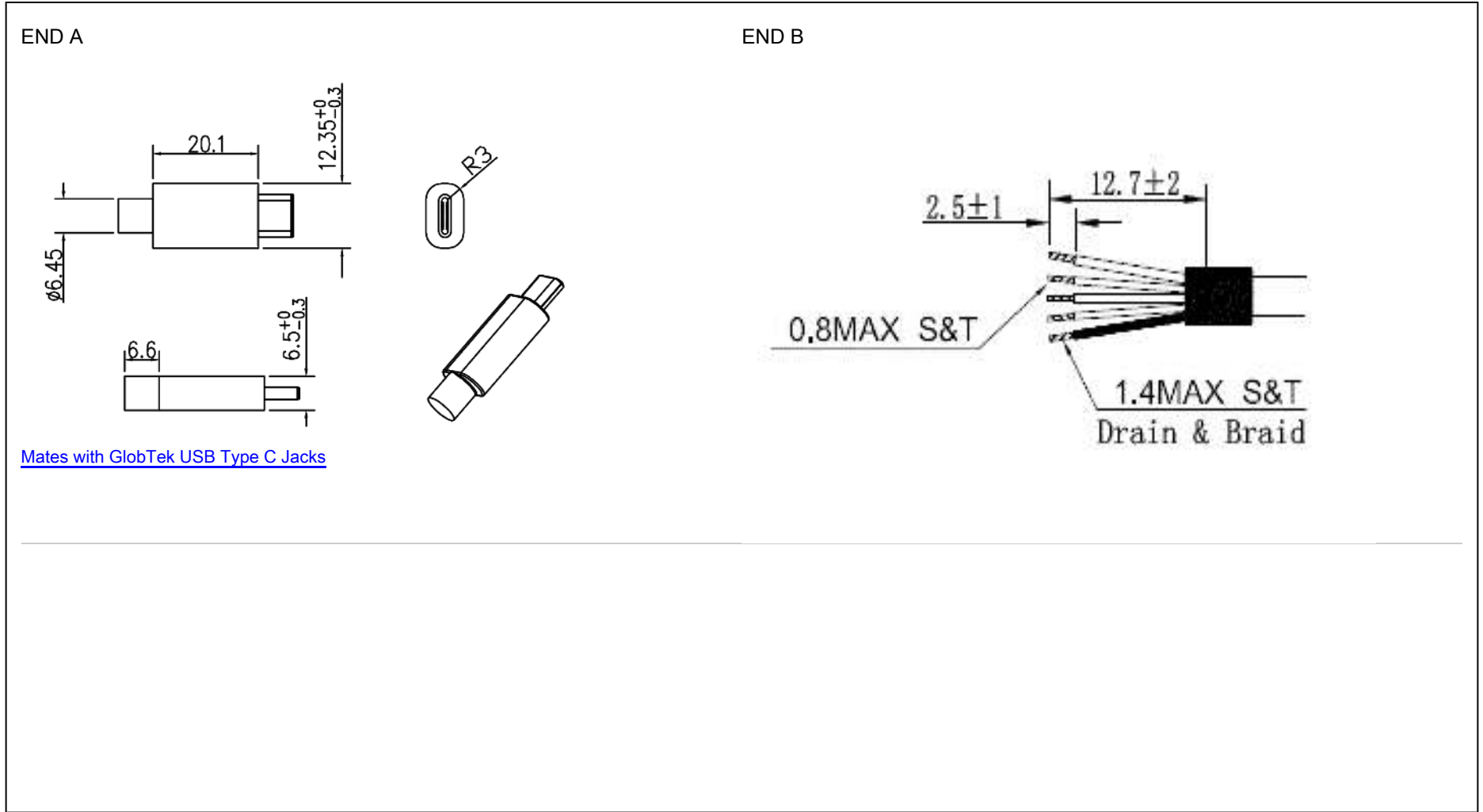
CordsetColor:GlobTek Black

Cord Length (mm):1830 \pm 50

NOTES:

GlobTek, Inc. www.globtek.com 186 Veterans Drive, Northvale, NJ 07647 Tel. (201) 784-1000 Fax (201) 784-0111	Drawing Title: USB TYPE C MALE 2.0, 5.1k Ω pull-down resistor, MOLD USB00015 compliant with Directive (EU) 2022/2380 and 2014/53/EU Radio Equipment Directive (RED) to Stripped and Tinned ROJ 12.7 mm, RIJ 2.5 mm, GT Cable #UL 2725 28AWG*1pair + 28AWG*2C +Al-mylar + Drain wire + Braid + PVC-050: SEE CODE / 4 + SHIELD Conductors, 3.8mm OD, UL 2725, 80° Deg.C, 30VV, 28AWG*1P(Green&White) + 28AWG*2C(Red&Black), Approvals: E353532 兪 AWM 2725 80°C 30V VW-1 YEMAO, 1830±50mm, GlobTek Black	
	Model No. Low voltage cable	Part No./Ordering No. USBC27251M8A005RD(R)
		Rev A

CUSTOMIZED LENGTHS, COLORS, CABLE TYPES, TERMINATIONS/PLUGS/RECEPTACLES AVAILABLE UPON REQUEST. ADDITIONAL PLUG OPTIONS ARE AVAILABLE AT <https://www.globtek.com/connectors/> STANDARD PLUGS AND CONNECTORS CAN BE SEEN ONLINE AT <https://www.globtek.com/connectors/> ACTUAL CONNECTORS, OVERMOLDS, FERRITES MAY VARY SLIGHTLY FROM THE PICTURE BELOW DIMENSIONS ARE IN MM UNLESS SPECIFIED OTHERWISE

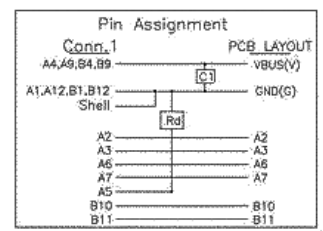
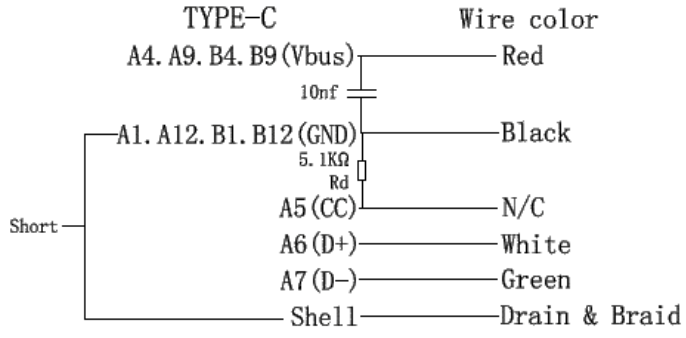
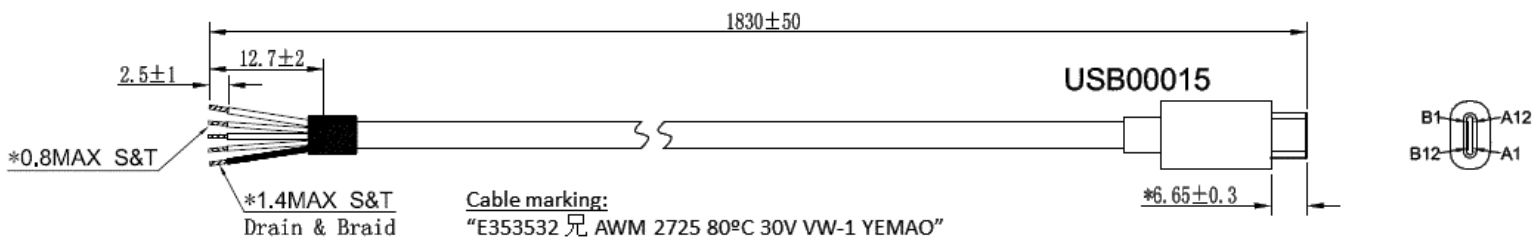


GlobTek, Inc. www.globtek.com 186 Veterans Drive, Northvale, NJ 07647 Tel. (201) 784-1000 Fax (201) 784-0111	Drawing Title: USB TYPE C MALE 2.0, 5.1kΩ pull-down resistor, MOLD USB00015 compliant with Directive (EU) 2022/2380 and 2014/53/EU Radio Equipment Directive (RED) to Stripped and Tinned ROJ 12.7 mm, RIJ 2.5 mm, GT Cable #UL 2725 28AWG*1pair + 28AWG*2C +Al-mylar + Drain wire + Braid + PVC-050: SEE CODE / 4 + SHIELD Conductors, 3.8mm OD, UL 2725, 80° Deg.C, 30VV, 28AWG*1P(Green&White) + 28AWG*2C(Red&Black), Approvals: E353532 ㊦ AWM 2725 80°C 30V VW-1 YEMAO, 1830±50mm, GlobTek Black
	Model No. Low voltage cable Part No./Ordering No. USBC27251M8A005RD(R)

Rev A

CUSTOMIZED LENGTHS, COLORS, CABLE TYPES, TERMINATIONS/PLUGS/RECEPTACLES AVAILABLE UPON REQUEST. ADDITIONAL PLUG OPTIONS ARE AVAILABLE AT <https://www.globtek.com/connectors/> STANDARD PLUGS AND CONNECTORS CAN BE SEEN ONLINE AT <https://www.globtek.com/connectors/> ACTUAL CONNECTORS, OVERMOLDS, FERRITES MAY VARY SLIGHTLY FROM THE PICTURE BELOW DIMENSIONS ARE IN MM UNLESS SPECIFIED OTHERWISE

CABLE IMAGE



GloBtek, Inc. www.globtek.com 186 Veterans Drive, Northvale, NJ 07647 Tel. (201) 784-1000 Fax (201) 784-0111	Drawing Title: USB TYPE C MALE 2.0, 5.1kΩ pull-down resistor, MOLD USB00015 compliant with Directive (EU) 2022/2380 and 2014/53/EU Radio Equipment Directive (RED) to Stripped and Tinned ROJ 12.7 mm, RIJ 2.5 mm, GT Cable #UL 2725 28AWG*1pair + 28AWG*2C +Al-mylar + Drain wire + Braid + PVC-050: SEE CODE / 4 + SHIELD Conductors, 3.8mm OD, UL 2725, 80° Deg.C, 30VV, 28AWG*1P(Green&White) + 28AWG*2C(Red&Black), Approvals: E353532 兲 AWM 2725 80°C 30V VW-1 YEMAO, 1830±50mm, GlobTek Black	
	Model No. Low voltage cable	Part No./Ordering No. USBC27251M8A005RD(R)
		Rev A

CUSTOMIZED LENGTHS, COLORS, CABLE TYPES, TERMINATIONS/PLUGS/RECEPTACLES AVAILABLE UPON REQUEST. ADDITIONAL PLUG OPTIONS ARE AVAILABLE AT <https://www.globtek.com/connectors/> STANDARD PLUGS AND CONNECTORS CAN BE SEEN ONLINE AT <https://www.globtek.com/connectors/> ACTUAL CONNECTORS, OVERMOLDS, FERRITES MAY VARY SLIGHTLY FROM THE PICTURE BELOW DIMENSIONS ARE IN MM UNLESS SPECIFIED OTHERWISE

End A Code:USBCM2.0-5.1kΩ Rd-USB00015 Description:USB TYPE C MALE 2.0, 5.1kΩ pull-down resistor, wire + Braid + PVC-050 MOLD USB00015 compliant with Directive (EU) 2022/2380 and 2014/53/EU Radio Equipment Directive (RED) Rating (V):20 Rating (A):5.0 Gender:Male Overmolded:Yes	Cable Code:UL 2725 28AWG*1pair + 28AWG*2C +Al-mylar + Drain Description:GT Cable #UL 2725 28AWG*1pair + 28AWG*2C +Al-mylar + Drain wire + Braid + PVC-050: SEE CODE / 4 + SHIELD Conductors, 3.8mm OD, UL 2725, 80° Deg.C, 30VV, 28AWG*1P(Green&White) + 28AWG*2C(Red&Black), Approvals: E353532 兲 AWM 2725 80°C 30V VW-1 YEMAO Color:GlobTek Black Wire Gauge(AWG):SEE CODE Cond:4 + SHIELD Type:UL 2725 Temperature:80°° C Amps: Volts:30V OD:3.8 ConductorsColors:28AWG*1P(Green&White) + 28AWG*2C(Red&Black)	End B Code:A00-5C Description:Stripped and Tinned ROJ 12.7 mm, RIJ 2.5 mm Rating (V): Rating (A): Gender:N/A Overmolded:No
--	---	---

Overall cable rating:

Plug Approvals	Cable Approvals	Connector Approvals
----------------	-----------------	---------------------

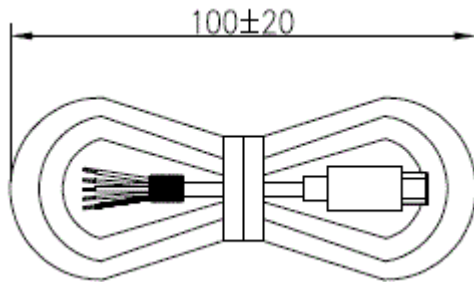
AGENCY ONLINE DOCUMENTS	http://www.globtek.info/certs/USB%20cables/
RoHS/RoHS3 Declaration	https://www.globtek.com/pdf/rohs_cert/01t3a000005gcpnAAA
REACH Declaration	https://www.globtek.com/pdf/iso_certificates/REACH.pdf
Conflict Minerals Declaration	https://www.globtek.com/pdf/conflict-minerals.pdf
Prop 65 Statement	https://en.globtek.com/prop-65-statement.pdf
CE.UKCA.Cord	https://globtek.secure.force.com/spec/ec_decl_product_model_family_incl_cord?id=01t3a000005gcpn

IPXY rating is based on 3rd party testing and customers should check suitability and test system level IPXY rating before ordering.

GlobTek, Inc. www.globtek.com 186 Veterans Drive, Northvale, NJ 07647 Tel. (201) 784-1000 Fax (201) 784-0111	Drawing Title: USB TYPE C MALE 2.0, 5.1k Ω pull-down resistor, MOLD USB00015 compliant with Directive (EU) 2022/2380 and 2014/53/EU Radio Equipment Directive (RED) to Stripped and Tinned ROJ 12.7 mm, RIJ 2.5 mm, GT Cable #UL 2725 28AWG*1pair + 28AWG*2C +Al-mylar + Drain wire + Braid + PVC-050: SEE CODE / 4 + SHIELD Conductors, 3.8mm OD, UL 2725, 80° Deg.C, 30VV, 28AWG*1P(Green&White) + 28AWG*2C(Red&Black), Approvals: E353532 兲 AWM 2725 80°C 30V VW-1 YEMAO, 1830 \pm 50mm, GlobTek Black	
	Model No. Low voltage cable	Part No./Ordering No. USBC27251M8A005RD(R)
		Rev A

CUSTOMIZED LENGTHS, COLORS, CABLE TYPES, TERMINATIONS/PLUGS/RECEPTACLES AVAILABLE UPON REQUEST. ADDITIONAL PLUG OPTIONS ARE AVAILABLE AT <https://www.globtek.com/connectors/> STANDARD PLUGS AND CONNECTORS CAN BE SEEN ONLINE AT <https://www.globtek.com/connectors/> ACTUAL CONNECTORS, OVERMOLDS, FERRITES MAY VARY SLIGHTLY FROM THE PICTURE BELOW DIMENSIONS ARE IN MM UNLESS SPECIFIED OTHERWISE

Hanking: 100 +/- 20
 Description: 100 +/- 20 mm
 Image:



Notes/Modifications/Customizations (notes in this section supersede the values shown in the standard spec):



- Surface material PVC of Company Suzhou DaZhangShu Plastic Technology Co., Ltd. or similar!
- USB00015 overmold tool