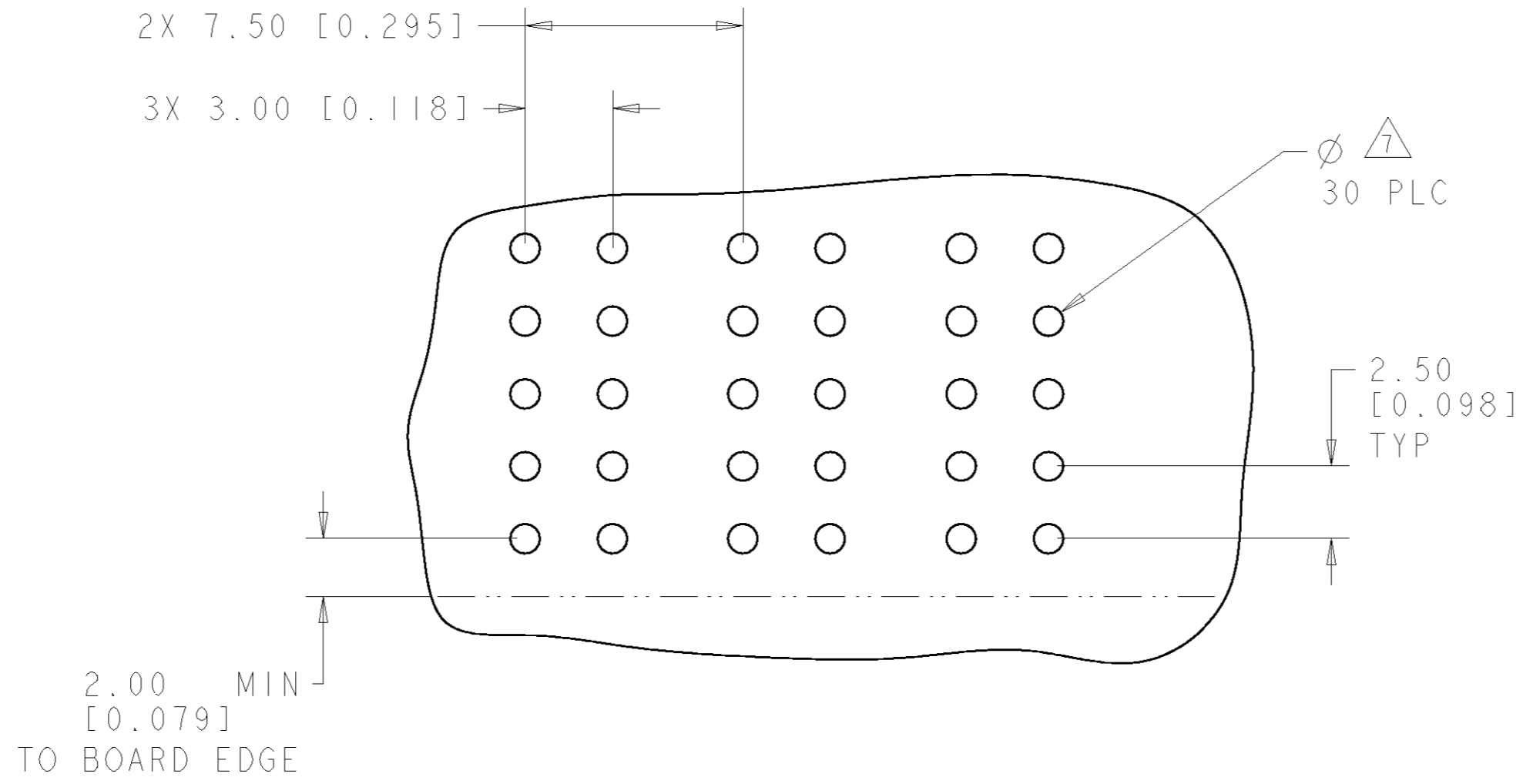


THIS DRAWING IS UNPUBLISHED. RELEASED FOR PUBLICATION 20
 © COPYRIGHT 20 BY TYCO ELECTRONICS CORPORATION. ALL RIGHTS RESERVED.

LOC	DIST	REVISIONS					
GP	00	P	LTR	DESCRIPTION	DATE	DWN	APVD
		-		SEE SHEET 1	-	-	-



PRINTED CIRCUIT LAYOUT
 COMPONENT SIDE
 SCALE 5:1

CONNECTOR	CATALOG MODULE #	QTY	SIZE NO.	CONTACT QTY	MATING PIN	MAX. CURRENT (PER CONTACT)	CONTACT SPACING	VOLTAGE RATING
SOCKET	FPI12	3	8	3	1.25 X 7.00 [.049 X .276]	35 amps	7.50 [0.2953]	250

ELCON FLATPAQ

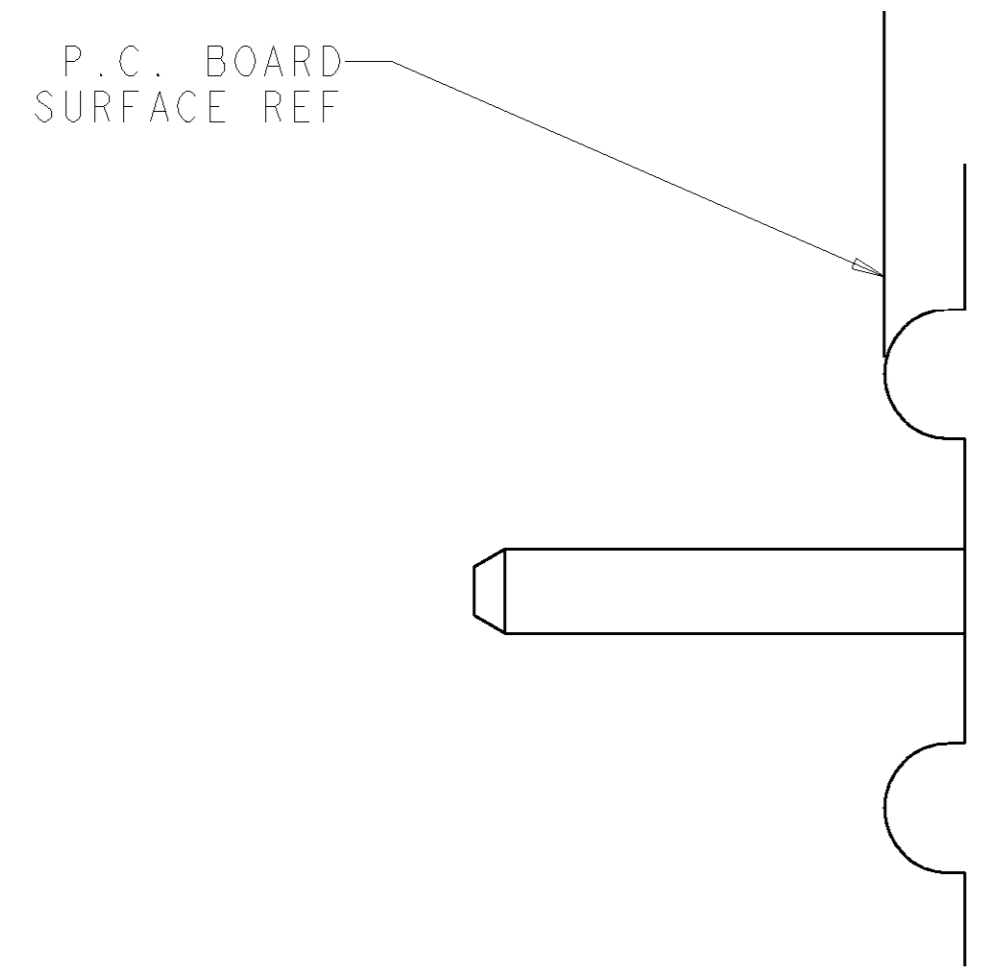
THIS DRAWING IS A CONTROLLED DOCUMENT FOR TYCO ELECTRONICS CORPORATION. IT IS SUBJECT TO CHANGE AND THE CONTROLLING ENGINEERING ORGANIZATION SHOULD BE CONTACTED FOR THE LATEST REVISION.

DWN R. GRZYBOWSKI 29NOV06	Tyco Electronics Harrisburg, PA 17105-3608
CHK P. DAMATO 29NOV06	
APVD S. FLICKINGER 29NOV06	
PRODUCT SPEC -	
MATERIAL -	NAME STRAIGHT SOCKET CONNECTOR SOLDER TAILS FLATPAQ
DIMENSIONS: mm [INCHES]	TOLERANCES UNLESS OTHERWISE SPECIFIED: 0 PLC ±.5 1 PLC ±.5 2 PLC ±.25 3 PLC ±.5 4 PLC ±.5 ANGLES ±.5 FINISH
APPLICATION SPEC -	SIZE A200779
WEIGHT -	CAGE CODE C-6651665
CUSTOMER DRAWING	DRAWING NO. -
	RESTRICTED TO -
	SCALE 4:1 SHEET 2 OF 3 REV A

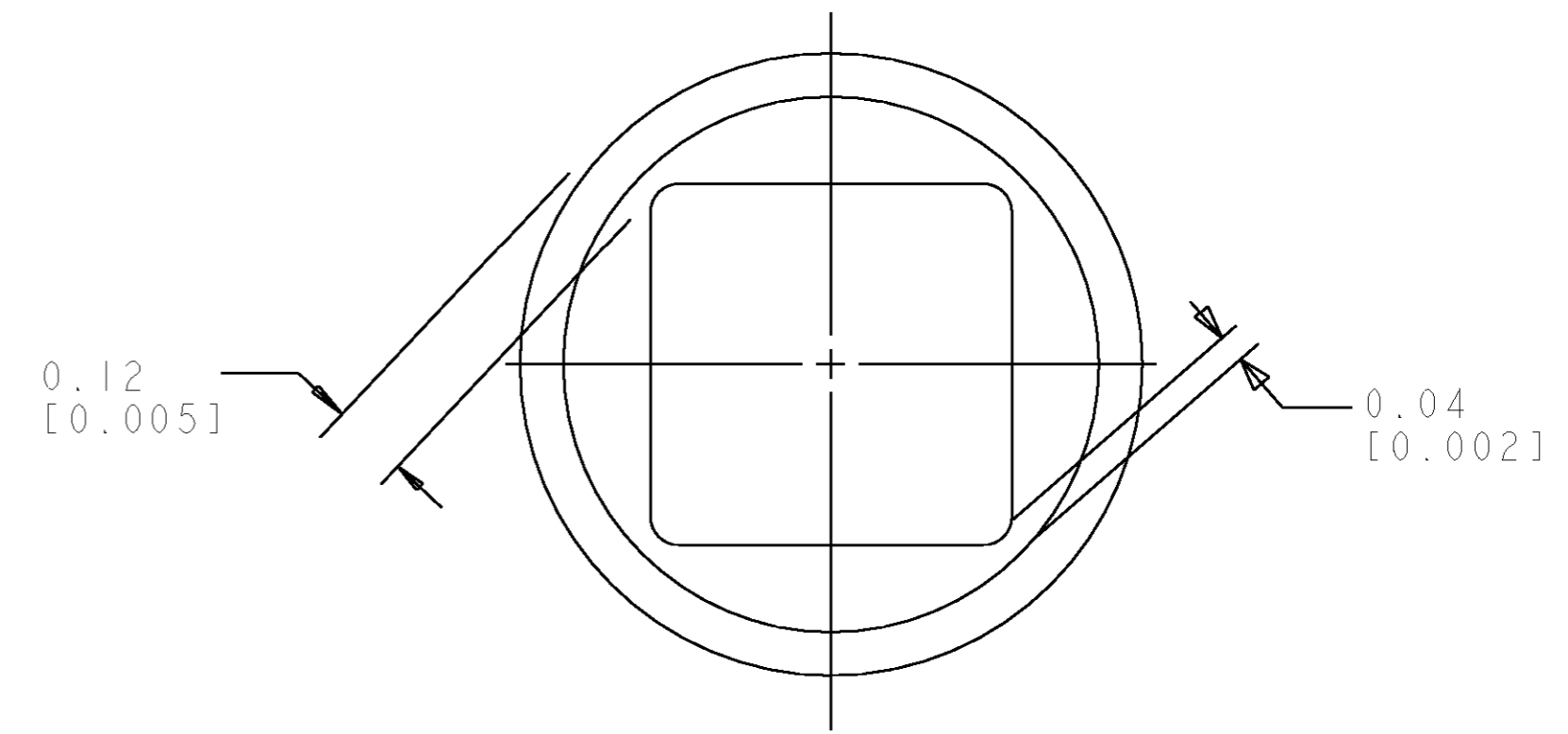
THIS DRAWING IS UNPUBLISHED. RELEASED FOR PUBLICATION 20

© COPYRIGHT 20 BY TYCO ELECTRONICS CORPORATION. ALL RIGHTS RESERVED.

LOC	DIST	REVISIONS			
P	LTR	DESCRIPTION	DATE	DWN	APVD
GP	00	-	SEE SHEET 1	-	-



6. SOLDER TAIL DETAIL
SCALE 10 : 1



△ SOLDER TERMINATION AREA
 SCALE 40:1
 RECOMMENDED PRINTED CIRCUIT HOLE
 SOLDER HOLE
 FINISHED HOLE: $\varnothing 1.02$ [.040] $\pm .08$ [.003]
 DRILLED HOLE: $\varnothing 1.15$ [.0453] $\pm .013$ [.0005]
 COPPER PLATE: .025 [.0010] MIN
 TIN PLATE: .008 [.0003] MIN. (PER SURFACE)

ELCON **FLATPAQ**

<small>THIS DRAWING IS A CONTROLLED DOCUMENT FOR TYCO ELECTRONICS CORPORATION IT IS SUBJECT TO CHANGE AND THE CONTROLLING ENGINEERING ORGANIZATION SHOULD BE CONTACTED FOR THE LATEST REVISION.</small>		DWN R. GRZYBOWSKI 29NOV06 CHK P. DAMATO 29NOV06 APVD S. FLICKINGER 29NOV06	tyco Tyco Electronics Electronics Harrisburg, PA 17105-3608
DIMENSIONS: mm [INCHES]	TOLERANCES UNLESS OTHERWISE SPECIFIED: 0 PLC $\pm .5$ 1 PLC $\pm .5$ 2 PLC $\pm .25$ 3 PLC $\pm .5$ 4 PLC $\pm .5$ ANGLES $\pm .5$ FINISH	NAME STRAIGHT SOCKET CONNECTOR SOLDER TAILS FLATPAQ	SIZE CAGE CODE DRAWING NO RESTRICTED TO A200779 C-6651665 -
MATERIAL		PRODUCT SPEC APPLICATION SPEC WEIGHT	SCALE 4:1 SHEET 3 OF 3 REV A CUSTOMER DRAWING